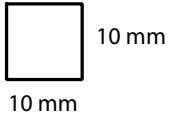


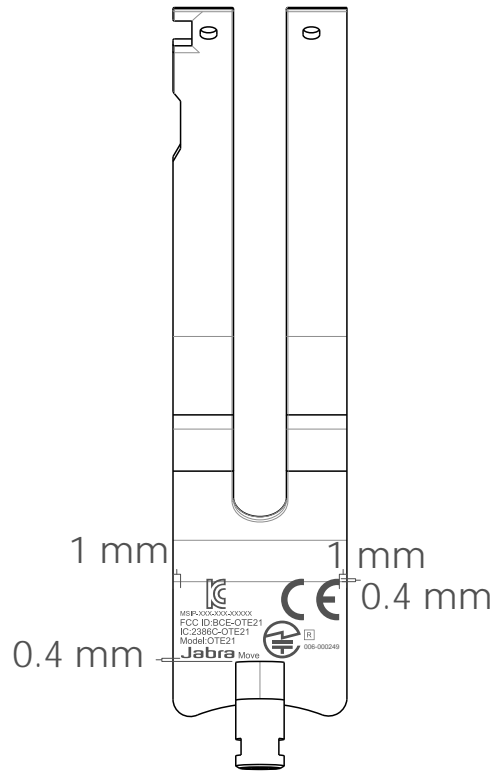


Security class: Confidential
Document name: Artwork
Document title: BHC631_Metal Part
Approved by: Merry/Troy Hung
Revision: Rev-01

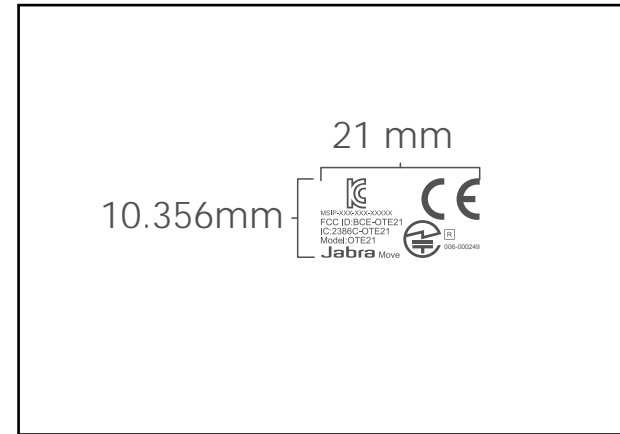
Prep. by: Merry/Troy Hung
Date: 2014-07-21



BHC 631-001: Metal Part



Scale: 1:1



Scale: 1:1

