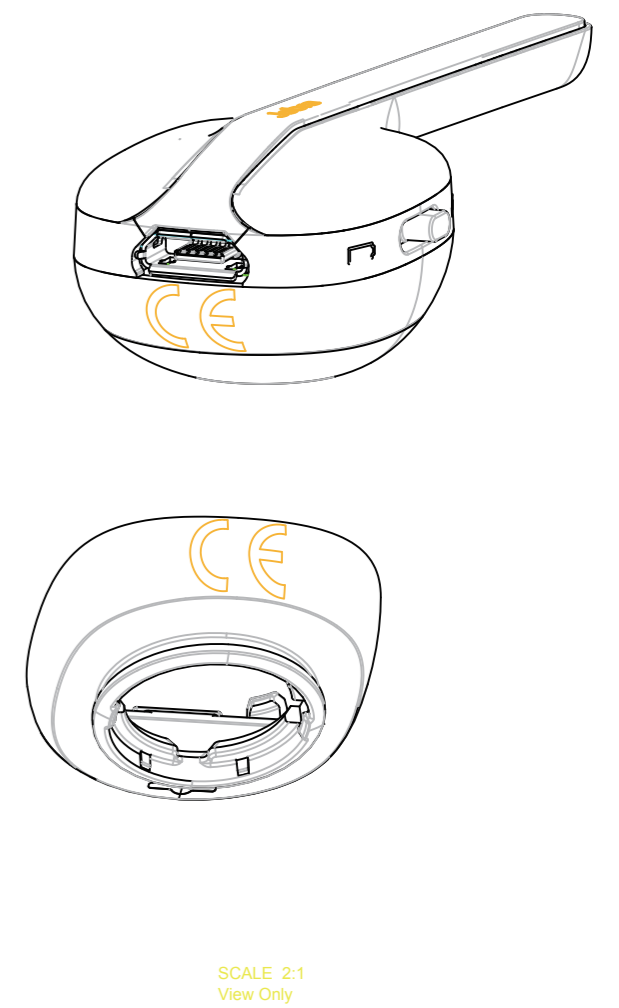
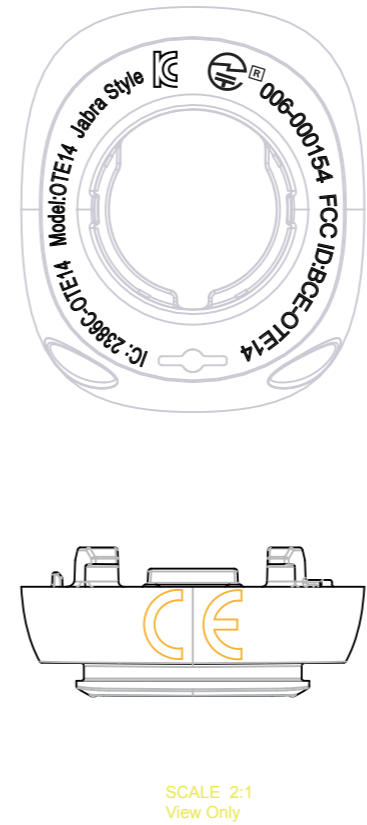
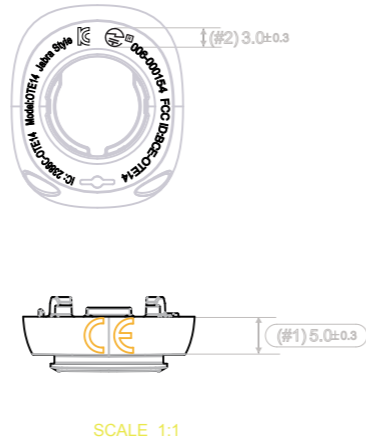




the content of pad-print



NOTES:
1, the color of pad-print refer to BOM

Cosmetic Standard: GSC.ST.00002
Part Marking.: GSC.PR.00102

Process control dimensions are marked: 
IQC/OQC Characteristics for Evaluation:
#1

Date of Change: 24-May-2013		Description of Change: 1,replaced "004NYDxxxxx" with 006-000154 2,replaced "Jabra xxxxx" to "Jabra Style"				Responsible: Andy Luo	
	Matr. Spec: (See B.O.M.)	3D revision:	Created by:	Created on:	Tool marking:	Drawing Scale:	Size:
	Matr. type: NA	NA	Andy Luo	22-Feb-2013	.	1:1	A3
GN PDM file: 07-06728_REAR_HOUISNG_ASY ver:A.6		Object type: ASSEM	Approved by:	Approved on:	Units:	Projection:	
			Mark Ye	22-Feb-2013	mm		
Description: Rear Housing pad-print placement			Document No: 50-06475	Doc. Revision: E	Design Status: Released	Page No: 1 of 1	

CONFIDENTIALITY NOTICE:
This document is the property of GN Netcom A/S and must be treated as confidential.
The document must not be used, or disclosed to any third party, without written permission
by GN Netcom A/S. Copyright © 2010 GN Netcom A/S. All rights reserved.

8
7
6
5
4
3
2
1

A B C D E F G H

- 🇺🇸 - Bluetooth® Headset, works with any Bluetooth® enabled device.
- 🇫🇷 - Le casque Bluetooth™ fonctionne avec tout appareil compatible Bluetooth™.
- 🇪🇸 - Auriculares Bluetooth®, funcionan con cualquier dispositivo con Bluetooth® activado.
- 🇧🇷 - Fone de ouvido Bluetooth® funciona com qualquer dispositivo com Bluetooth®.



Enhance your Jabra experience with one of our featured apps
Go to jabra.com/apps

MADE IN CHINA
MODEL: OTE14

FCC ID: BCE-OTE14
IC: 2386C-OTE14



The Bluetooth® word mark and logos are owned by the Bluetooth SIG, Inc. and any use of such marks by GN Netcom A/S is under license. (Design and specifications subject to change without notice).

Design Registration Pending International

82-06516 B

This package contains:

- Jabra Style headset
- 1 Extra Eargel™
- 1 AC charger
- 1 Quick start guide



FIND MY JABRA
With the Jabra Assist App
For iOS and Android™

www.jabra.com/style

JABRA STYLE

HANDS FREE SIMPLICITY

Bluetooth® Headset
Works with any Bluetooth® enabled device



LEARN MORE!

BENEFITS

NFC For easy pairing



HD Voice* for better sound experience



Power Nap
- Battery saving mode



Up to 6 hrs talk time/7 days standby time

*Phone and network dependent

© 2013 GN Netcom US Inc.
All rights reserved. Jabra® is a registered trademark of GN Netcom A/S. All other trademarks included herein are the property of their respective owners.

GN Netcom, Inc.
77 Northeastern Blvd.
Nashua, NH 03062
USA