

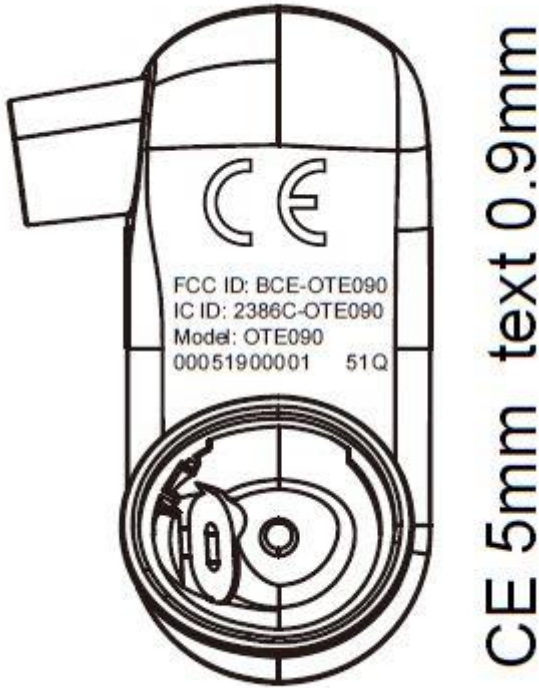


Model OTE090 Label location

FCC ID: BCE-OTE090

IC: 2386C-OTE090

The FCC & IC ID are pad-print on the headset. Please see the drawing below.



Cable label

