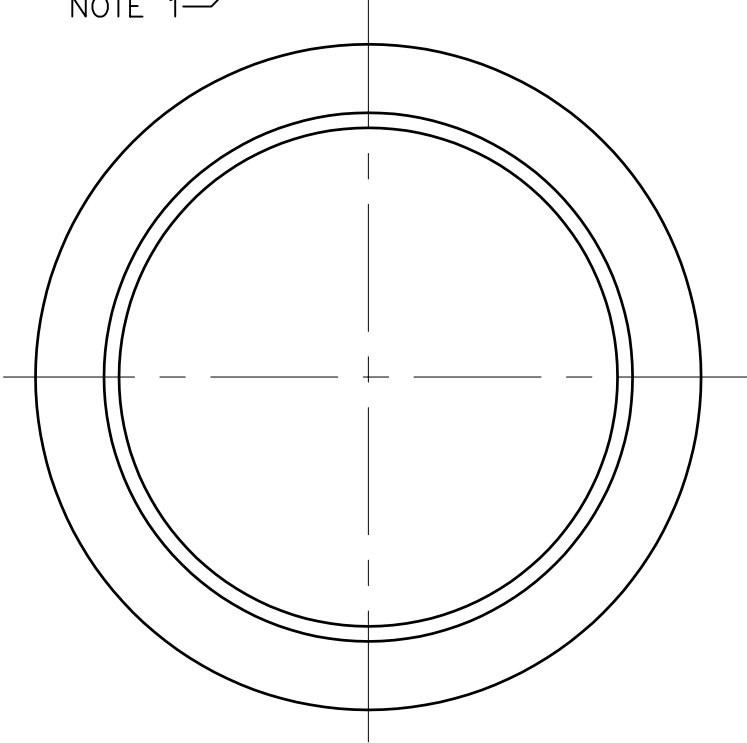


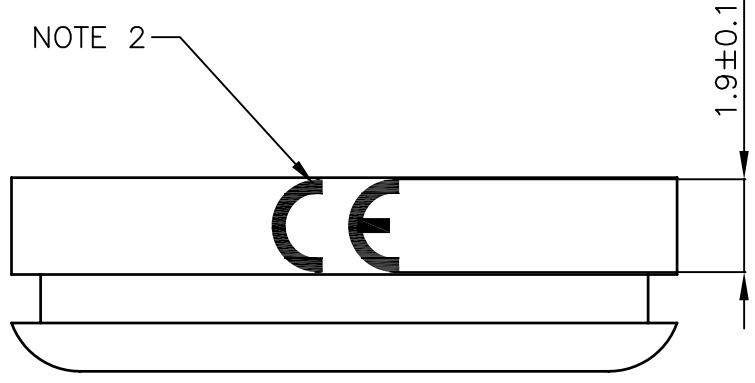
8
7
6
5
4
3
2

FCC ID: BCE-JX10
IC: 2386C-JX10


NOTE 1



NOTE 2



NOTE 1: TEXT COLOUR: WHITE
NOTE 2: LOGO COLOUR: WHITE
PRINTS TO BE PLACED IN CENTERLINE

Responsible dept. Mobile Division		Document type Printinstruction		Document status PRELIMINARY 07.03.2005	
		Description RECEIVER COVER, PRINTED		Ident. No. 83-00126	
Created by PFJ		Approved by IMG		Technical reference JLI	
ECO/NPR No. -		Date of issue -		Revision 0	
				Page No.: 1 OF 1	
This drawing is the property of GN Netcom A/S and is to be treated as confidential by the party to whom it has been submitted by GN Netcom A/S and is not to be disclosed to any third party without the specific written permission of GN Netcom A/S				All dimensions are in mm. Copyright © 2004 GN Netcom A/S	

A | B | C | D | E | F