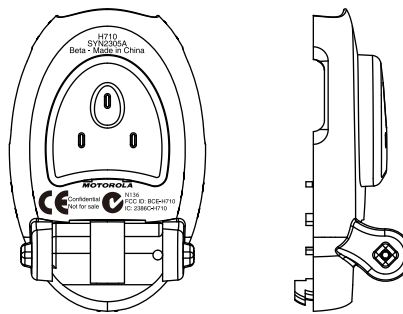
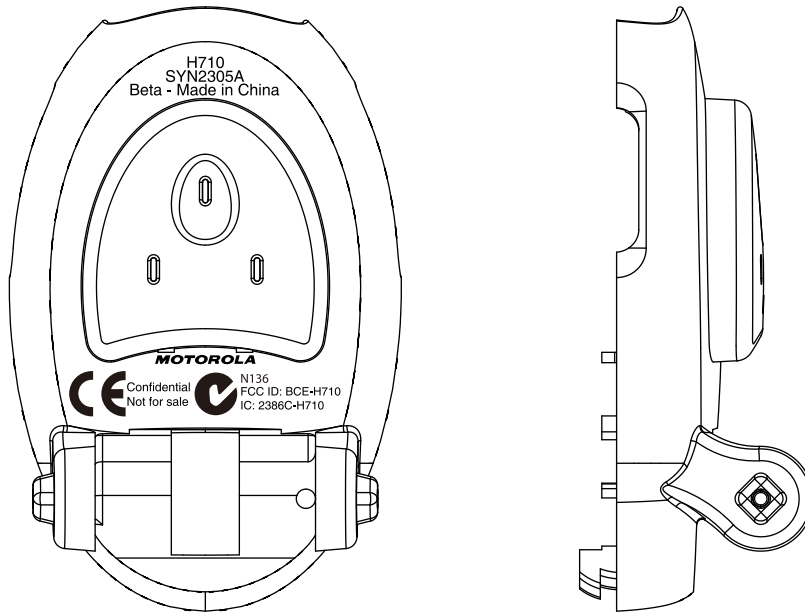




SCALE 2:1

Just For View



Responsible dept. <b>R&amp;D</b>		Document type <b>Print instruction</b>		Document status <b>RELEASED</b>	
		Description <b>REAR COVER PRINTED, H710</b>		Ident. No. <b>83-01107</b>	Projection: 
		Created by <b>Susie Huang</b>		Approved by <b>JJO</b>	
Date of issue <b>27, July, 2007</b>		Revision <b>B</b>		Page No.: <b>1 of 1</b>	Scale: <b>1:1</b>

This drawing is the property of GN Netcom A/S and is to be treated as confidential by the party to whom it has been submitted by GN Netcom A/S and is not to be disclosed to any third party without the specific written permission of GN Netcom A/S

All dimensions are in mm.  
Copyright © 2004 GN Netcom A/S

A B C D E F