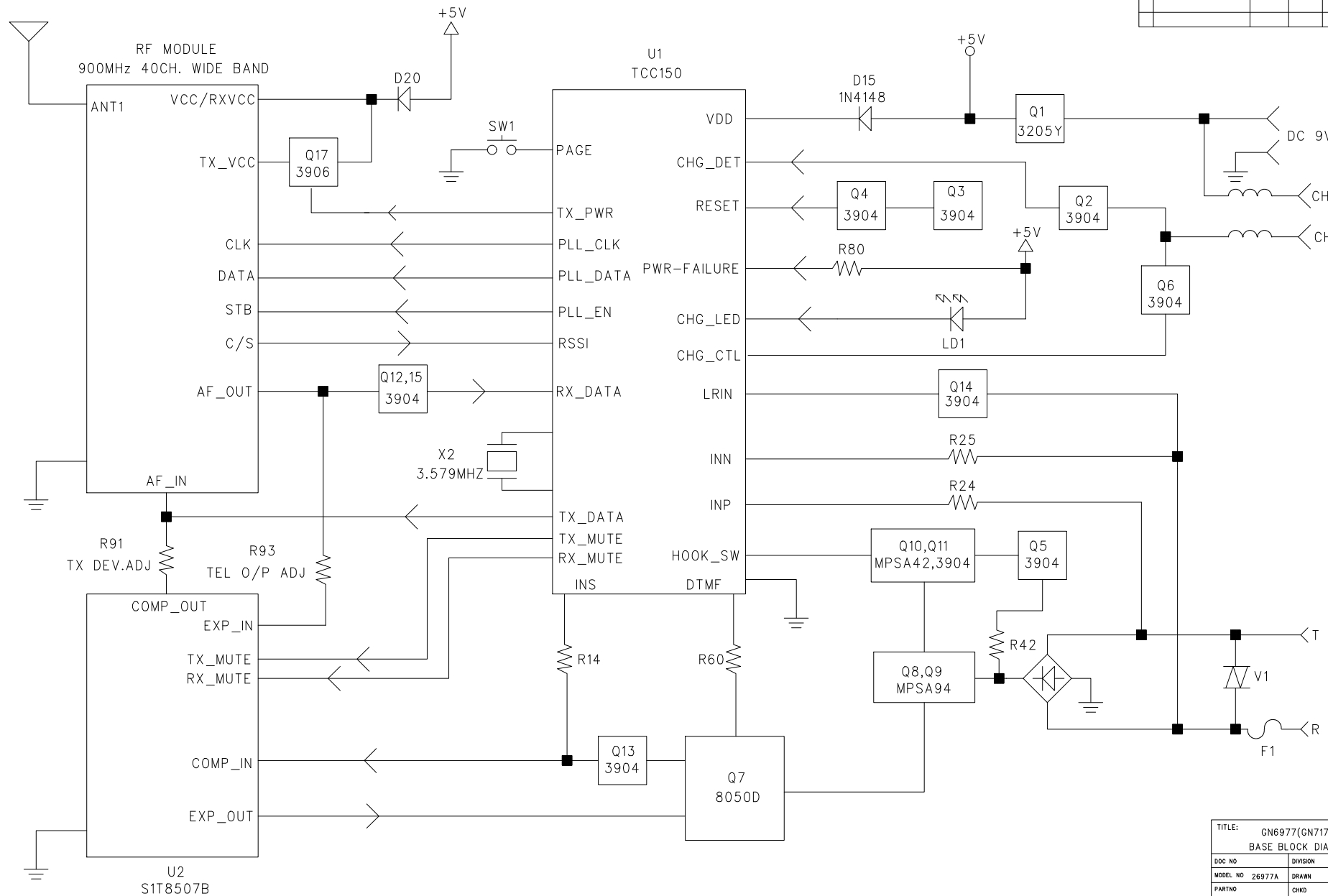
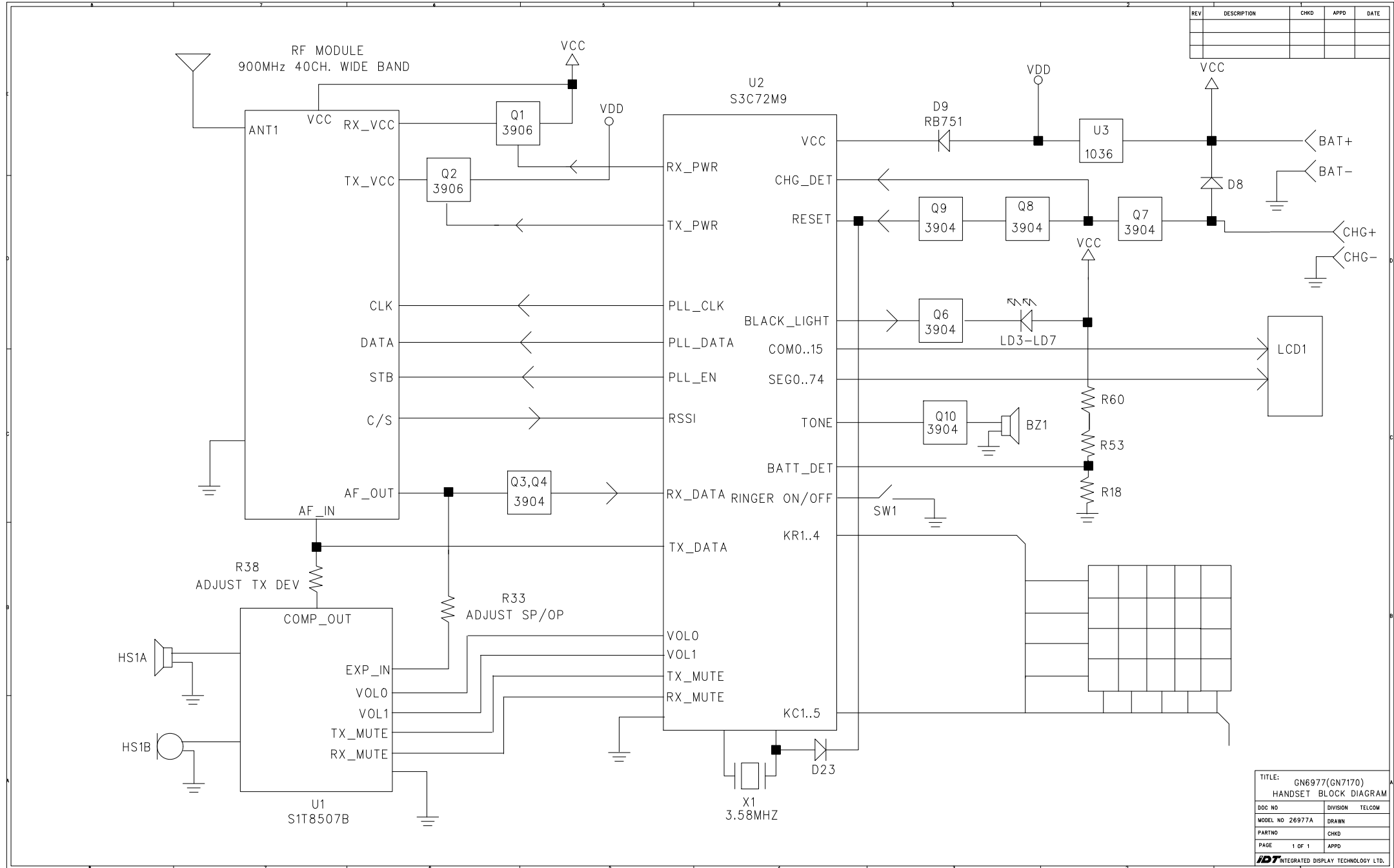


REV	DESCRIPTION	CHKD	APPD	DATE



TITLE: CN6977(GN7170)			
BASE BLOCK DIAGRAM			
DOC NO	DIVISION	TELCOM	
MODEL NO 26977A	DRAWN		
PARTNO	CHKD		
PAGE 1 OF 1	APPD		
IDT INTEGRATED DISPLAY TECHNOLOGY LTD.			



REV	DESCRIPTION	CHKD	APPD	DATE

TITLE: GN6977(GN7170)			
HANDSET BLOCK DIAGRAM			
DOC NO	DIVISION	TELCOM	
MODEL NO 26977A	DRAWN		
PARTNO	CHKD		
PAGE 1 OF 1	APPD		
IDT INTEGRATED DISPLAY TECHNOLOGY LTD.			

The system block diagrams of the Base and Handset RF modules are shown in figure 1 and figure 2 respectively. Also included channel range from CH 1 to 40 (VCO freq = LO Freq on each channel)

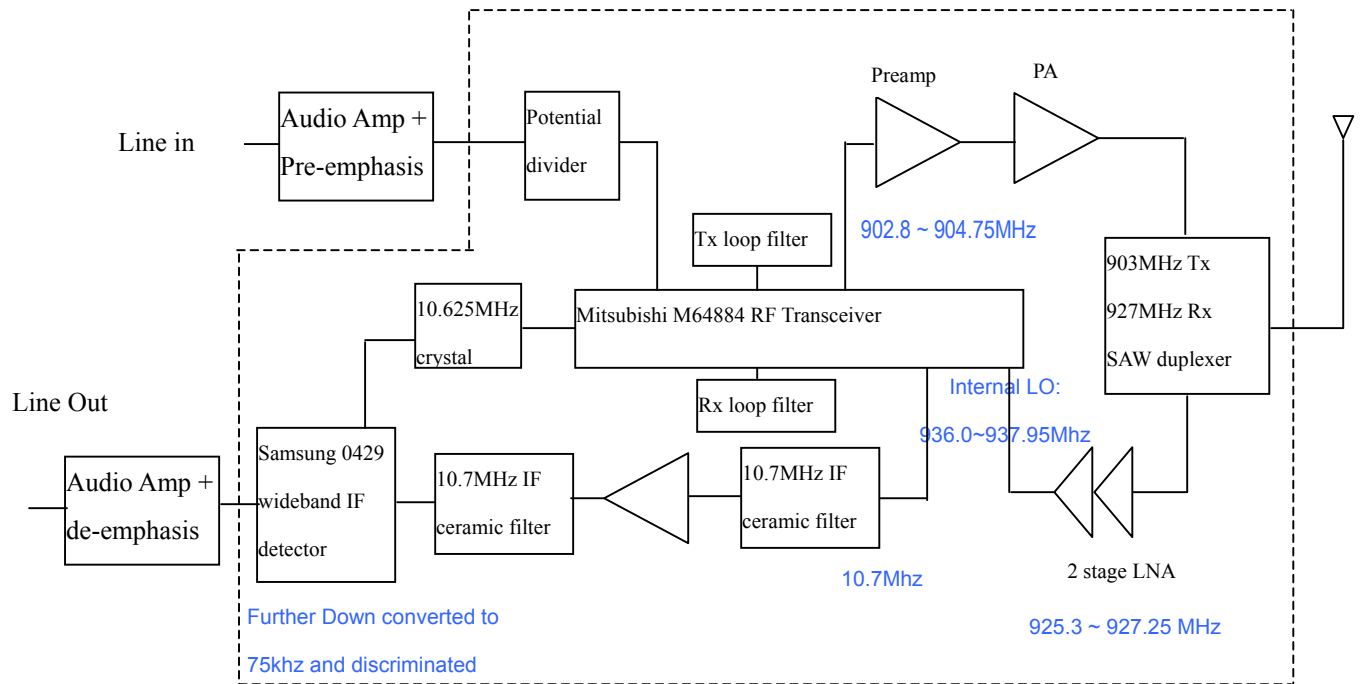


Figure 1: Base RF Module

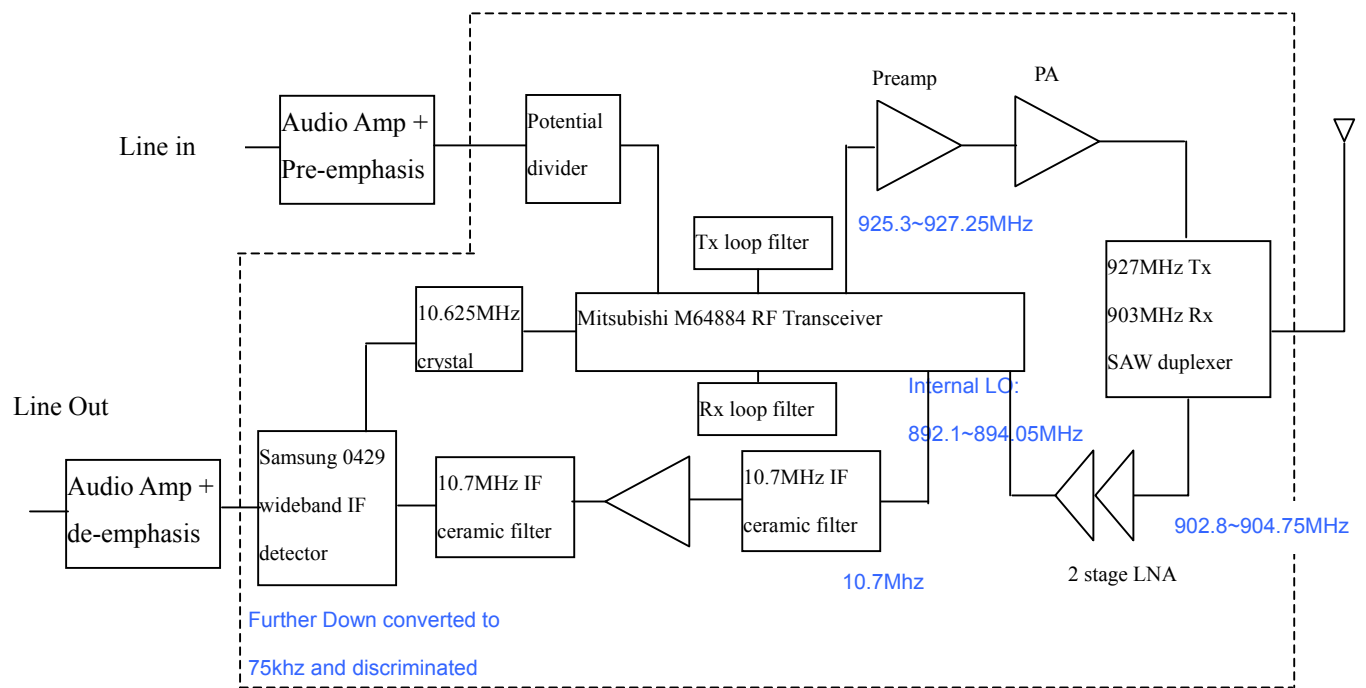


Figure 2: Handset RF Module