

Prüfbericht-Nr.: <i>Test report no.:</i>	60351739-002	Auftrags-Nr.: <i>Order no.:</i>	23870303 030	Seite 1 von 18 <i>Page 1 of 18</i>
Kunden-Referenz-Nr.: <i>Client reference no.:</i>		Auftragsdatum: <i>Order date:</i>	2020.02.10	
Auftraggeber: <i>Client:</i>	GN Audio A/S			
Prüfgegenstand: <i>Test item:</i>	Jabra Link 380c			
Bezeichnung / Typ-Nr.: <i>Identification / Type no.:</i>	END050W FCC ID: BCE-END050W / IC ID: 2386C-END050W			
Auftrags-Inhalt: <i>Order content:</i>	FCC Certification Testing			
Prüfgrundlage: <i>Test specification:</i>	FCC 47 CFR Parts 15.107, 15.109 ANSI C63.4: 2014			
Wareneingangsdatum: <i>Date of sample receipt:</i>	2020.01.13			
Prüfmuster-Nr.: <i>Test sample no.:</i>				
Prüfzeitraum: <i>Testing period:</i>	2020.03.12 – 2020.03.15			
Ort der Prüfung: <i>Place of testing:</i>	Lund, Sweden			
Prüflaboratorium: <i>Testing laboratory:</i>	TÜV Rheinland Sweden			
Prüfergebnis*: <i>Test result*:</i>	Pass			
überprüft von: <i>reviewed by:</i>		genehmigt von: <i>authorized by:</i>		
Datum: 2020.03.17 <i>Date:</i>	Signed by: Niall Forrester	Datum: 2020.03.17 <i>Date:</i>	Signed by: Per Isacson	
Stellung / Position:	Senior Technical Expert	Stellung / Position:	Lab Manager	
Sonstiges / Other:	Only Bluetooth BDR/DER (Classic Bluetooth) is covered by this report Additional testing for peripheral devices under FCC 47 CFR Part 15 subpart B Stand-alone testing under FCC 47 CFR Part 15 subpart B covered in other reports			
Zustand des Prüfgegenstandes bei Anlieferung: <i>Condition of the test item at delivery:</i>	Prüfmuster vollständig und unbeschädigt <i>Test item complete and undamaged</i>			
* Legende:	1 = sehr gut P(ass) = entspricht o.g. Prüfgrundlage(n)	2 = gut F(ail) = entspricht nicht o.g. Prüfgrundlage(n)	3 = befriedigend N/A = nicht anwendbar	4 = ausreichend N/T = nicht getestet
* Legend:	1 = very good P(ass) = passed a.m. test specification(s)	2 = good F(ail) = failed a.m. test specification(s)	3 = satisfactory N/A = not applicable	4 = sufficient N/T = not tested
Dieser Prüfbericht bezieht sich nur auf das o.g. Prüfmuster und darf ohne Genehmigung der Prüfstelle nicht auszugsweise vervielfältigt werden. Dieser Bericht berechtigt nicht zur Verwendung eines Prüfzeichens. <i>This test report only relates to the a. m. test sample. Without permission of the test center this test report is not permitted to be duplicated in extracts.</i>				

Revision History

REVISION	DATE	REMARKS	AUTHOR
001	2020-03-16	First Release	Niall Forrester
002	2020-03-17	Fixed text and picture errors	Niall Forrester

Note: Latest revision report will replace all previous reports
This report based on FCC Part 15.247 Template version 1.0

Summary of Test Results

FCC 47 CFR Rule Part	Test Description	Applicability	Report Section	RESULT	REMARKS
15.107	AC Power Line Conducted Emissions (Unintentional Radiators)	YES	4.1	PASS	
15.109	Radiated Emissions (Unintentional Radiators)	YES	4.2	PASS	

Possible test case verdicts:

- Test case does not apply to the test object: N/A
- Test object complies with the requirement: PASS or COMPLIANT
- Test object does not meet the requirement: FAIL or NOT COMPLIANT
- Test case not performed on the test object: N.P.

Table of Contents

1. GENERAL INFORMATION	4
1.1 Test Site.....	4
1.2 Client Information.....	4
2. PRODUCT INFORMATION.....	5
2.1 General Description.....	5
2.2 Device Characteristics.....	5
2.3 Test Samples	5
2.4 Wireless Technologies and Bands Supported by the EUT.....	5
2.5 Antenna Information.....	6
2.6 Wireless Technology Details	6
2.7 Ancillary Equipment.....	6
3. TEST METHODS	6
3.1 Test Standards.....	6
3.2 Additional references.....	7
3.3 Limits	7
3.4 Description of Test Methods and Equipment Setup	8
3.5 EUT Operation Modes.....	10
3.6 Deviations from the Test Standard	10
3.7 Environmental Conditions.....	10
4. TEST RESULTS	11
4.1 Test Results – AC Power Line Conducted Emissions (Unintentional Trans.)	11
4.2 Test Results – Radiated Emissions (Unintentional Transmitter).....	14
5. TEST EQUIPMENT STATUS.....	17
5.1 List of Hardware with Calibration Dates.....	17
5.2 Software / Firmware Versions.....	18
6. MEASUREMENT UNCERTAINTY	18
6.1 Measurement Uncertainty for Conducted Emissions	18
6.2 Measurement Uncertainty for SAC 5 (Radiated Emissions & Band Edge)	18
7. PHOTOGRAPHS.....	18
7.1 Photographs of the Test Setup.....	18

1. GENERAL INFORMATION

1.1 Test Site

Test Facility:	TÜV Rheinland Sweden AB
Address:	Mobilvägen 10
	223 62 Lund
	Sweden
Swedac Registration Number:	10325
FCC Test Firm Registration Number:	517458
ISED Test Site Registration Number:	24753

1.2 Client Information

Company Name:	GN Audio A/S
Address:	Lautrupbjerg 7
	2750 Ballerup
	Denmark
Contact Person:	Lily Zhuang
Contact e-Mail / Telephone	lizhuang@jabra.com +86 592 2634855

2. PRODUCT INFORMATION

2.1 General Description

Model name:	Jabra Link 380c
Manufacturer:	GN Audio A/S
Model number / Marketing name:	END050W
FCC ID:	BCE-END050W
Description:	Bluetooth USB Type C dongle
Ancillary Equipment:	See section 2.7

2.2 Device Characteristics

Device Class for 47 CFR Part 15 B	Class B
Type of Power Supply	USB
Nominal Supply Voltage	5.0V
Supply Voltage Range	4.75V – 5.25V
Highest Internal Frequency Source	2480 MHz

2.3 Test Samples

EUT #	EUT ID	Description	Used For:
1	A000252971-004 (s/n 00301801986)	Standard Sample HW: Alpha 3, SW: 0.5.4	Radiated Tests (SAC 5) Conducted Emissions

2.4 Wireless Technologies and Bands Supported by the EUT

Technology	Band	Frequency Range (Tx)	Evaluation Performed*
Bluetooth BDR/EDR	2.4GHz	2400.0 MHz – 2483.5 MHz	YES
Bluetooth Low Energy (BLE)	2.4GHz	2400.0 MHz – 2483.5 MHz	NO

*This statement refers only to this report. Other wireless technologies may be covered by other reports.

2.5 Antenna Information

Technology	Band	Number of Antennas	Antenna Type(s)	Gain
Bluetooth BDR/DER/BLE	2.4 GHz	1	Stamped Plate Monopole	1.5 dBi

2.6 Wireless Technology Details

Technology	Band	Modulation Type(s)	No. of Channels	Channel Spacing	Adaptivity
Bluetooth BDR/EDR	2.4 GHz	BDR: GFSK EDR: $\pi/4$ -DQPSK EDR: 8-DPSK	79	1 MHz	Adaptive

2.7 Ancillary Equipment

A000252971-009	Power Supply for Control Computer (HP A200A05DL)
A000252971-013	Control Computer (Hewlett Packard ZBook 15)
A000252971-016	USB C adaptor
A000252971-019	Bluetooth Headset (Jabra)
A000252971-020	Monitor (Hewlett Packard EliteDisplay E242)
A000252971-021	USB Keyboard (Logitech K120)
A000252971-022	USB Mouse (Hewlett Packard 265986-007)

3. TEST METHODS

3.1 Test Standards

Testing was performed according to the following standards / references

Standard	Version	Description
FCC 47 CFR 15.107	-	Conducted limits
FCC 47 CFR 15.109	-	Radiated emission limits

3.2 Additional references

The following standards / references were also considered for the testing

Standard	Version	Description
ANSI C63.4	2014	American National Standard for Methods of Measurement of Radio-Noise Emissions from Low-Voltage Electrical and Electronic Equipment in the Range of 9 kHz to 40 GHz

3.3 Limits

FCC 47 CFR Rule Part	Test Description	Limit Reference (FCC 47 CFR Reference)
15.107	AC Power Line Conducted Emissions (Unintentional Radiators)	15.107 (a) for Class B Devices
15.109	Radiated Emissions (Unintentional Radiators)	15.109 (a) for Class B Devices *See Note 1

Note 1

Radiated Emissions limits in the tables from 47 CFR sections 15.109 & 15.209 are presented in $\mu\text{V}/\text{m}$. Measurements on the test system are made in $\text{dB}\mu\text{V}/\text{m}$. To convert between these, the following adjustment is used:

$$\text{New Limit} = 20 \log \left(\frac{\text{Original Limit}}{10^6} \right) + 120$$

Example: from 15.209(a) the limit for 30MHz – 88MHz is $100\mu\text{V}/\text{m}$ at 3m. This gives:

$$\text{New Limit} = 20 \log \left(\frac{100}{10^6} \right) + 120 = 40\text{dB}\mu\text{V}/\text{m} \text{ at } 3\text{m}$$

Additionally, in some cases testing has been performed at distances other than those specified in the tables. When this has occurred, the limits have been adjusted in accordance with the requirements in 47 CFR 15.31, using an extrapolation factor of 40dB/decade at frequencies below 30MHz and 20dB/decade at or above 30MHz

Example: from 15.209(a) the limit for 1.705MHz – 30MHz is $30\mu\text{V}/\text{m}$ (=29.54 $\text{dB}\mu\text{V}/\text{m}$) at 30m

$$\text{Limit}@3\text{m} = \text{Limit}@30\text{m} + 40 \log \left(\frac{30}{3} \right) = 29.54 + 40.00 = 69.54 \text{ dB}\mu\text{V}/\text{m} \text{ at } 3\text{m}$$

Example: from 15.209(a) the limit for 1GHz – 18GHz is $500\mu\text{V}/\text{m}$ (=53.98 $\text{dB}\mu\text{V}/\text{m}$) at 3m

$$\text{Limit}@1\text{m} = \text{Limit}@3\text{m} + 20 \log \left(\frac{3}{1} \right) = 53.98 + 9.54 = 63.52 \text{ dB}\mu\text{V}/\text{m} \text{ at } 1\text{m}$$

3.4 Description of Test Methods and Equipment Setup

3.4.1 General Description

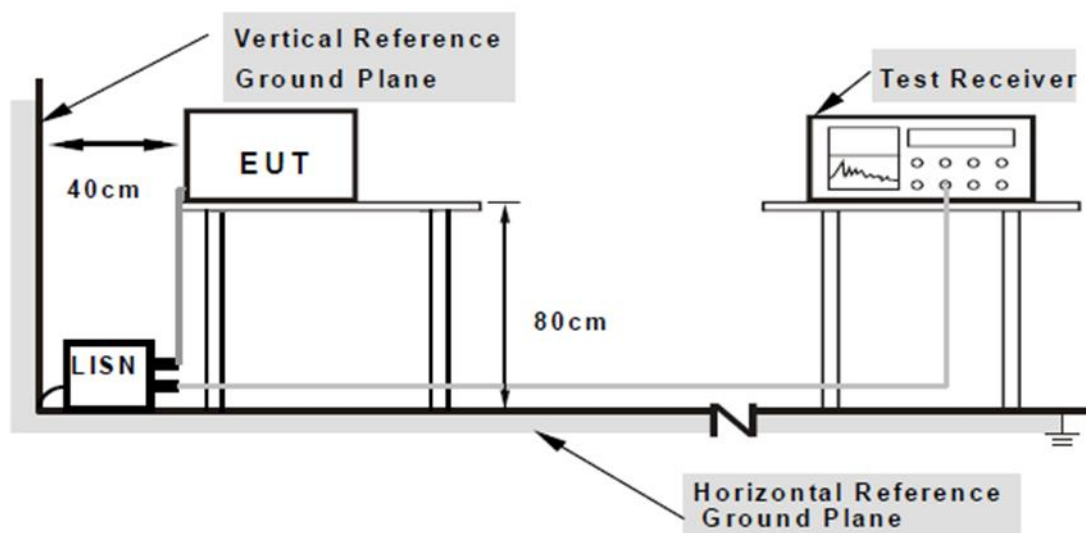
Testing was performed in accordance with the various requirements of ANSI C63.4. Any deviations from the test methods are described in section 3.63.6

3.4.2 Test Equipment Setup Used by Test Type

FCC 47 CFR Rule Part	Test Description	Test Equipment Used
15.107	AC Power Line Conducted Emissions (Unintentional Radiators)	Conducted Emissions
15.109	Radiated Emissions (Unintentional Radiators)	SAC5

3.4.3 Test Equipment Setup – Conducted Emissions

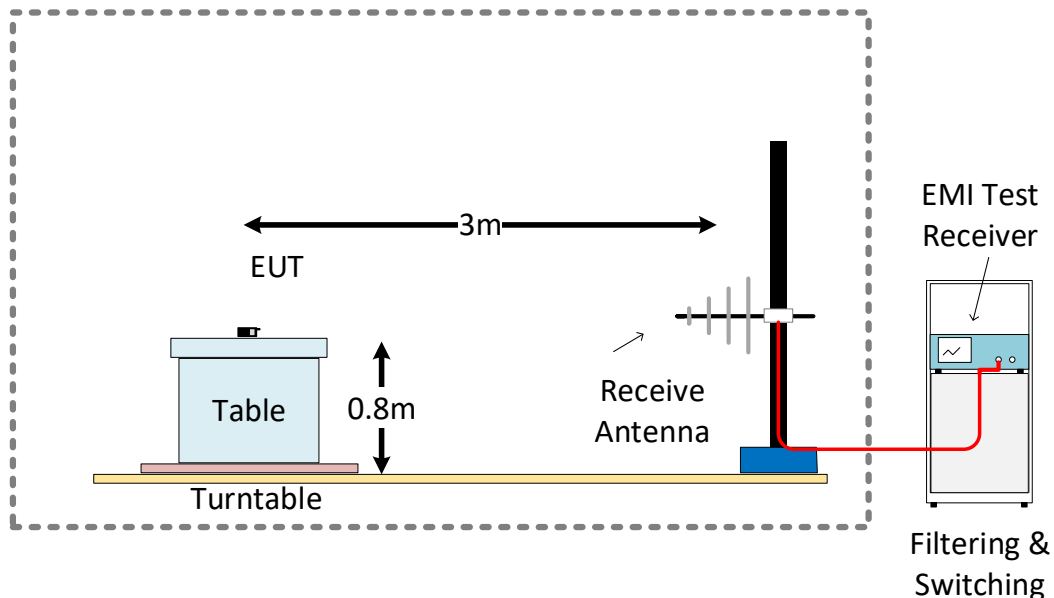
- The EUT was placed 0.4 meters from the conducting wall of the shielded room with EUT being connected to the power mains through a line impedance stabilization network (LISN). Other support units were connected to the power mains through another LISN. The LISNs provide 50Ω/ 50μH of coupling impedance for the measuring instrument.
- The lines of the power mains connected to the EUT were checked for maximum conducted interference.
- The frequency range from 150 kHz to 30 MHz was searched. Emission levels over 10 dB under the prescribed limits could not be reported.



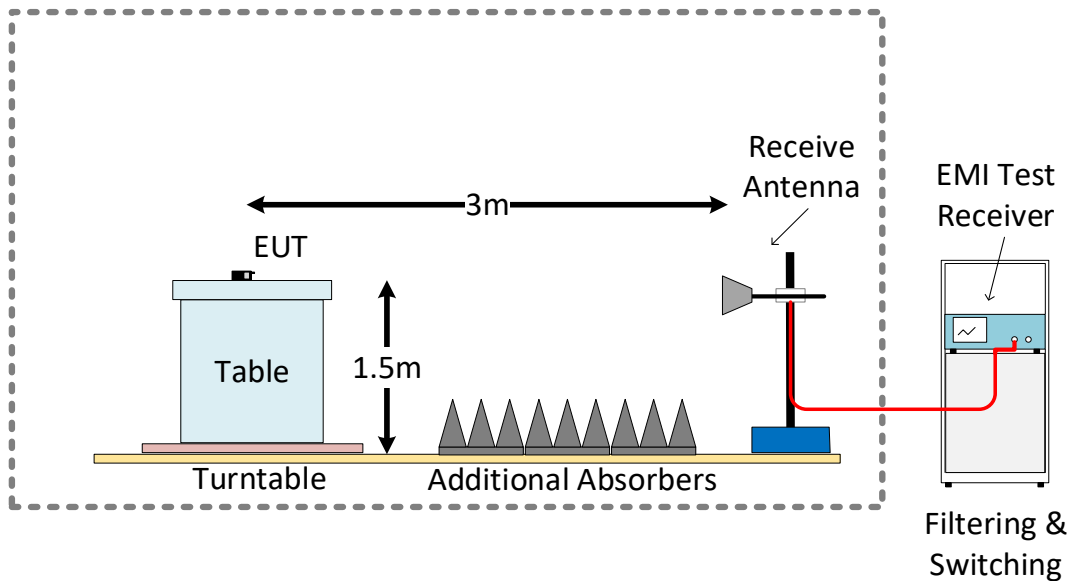
3.4.4 Test Equipment Setup – SAC 5 (Radiated Emissions and Restricted Band Edge)

- For frequency range 30MHz-1GHz Log-Periodic Antenna was used. Antenna elevated from 100 cm from floor to 400 cm from floor, and was placed at 3 m from center of turntable in tilted position. The equipment under test (EUT) was placed at the middle of the turntable at 80 cm height from floor. The antenna rotated to repeat the measurements for both the horizontal and vertical antenna polarizations. Repeat the measurement steps until the maximum emissions were obtained.
- For frequency range 1GHz-18GHz horn Antenna was used. Antenna elevated from 100 cm from floor to 400 cm from floor, and was placed at 3 m from center of turntable. The equipment under test (EUT) was placed at the middle of the turntable at 150 cm height from floor. The antenna rotated to repeat the measurements for both the horizontal and vertical antenna polarizations. Repeat the measurement steps until the maximum emissions were obtained.
- For all frequency ranges the turntable was rotated 360° for obtaining the maximum emission.

SAC 5 Test Setup Configuration 30MHz – 1GHz



SAC 5 Test Setup Configuration 1GHz – 18GHz



3.5 EUT Operation Modes

Operation mode	Description
#1	Device continuously streaming media over Bluetooth. Device is connected via an USB A-C adapter to a laptop PC with media player software used to stream audio to a Bluetooth headset. The PC is also connected to a monitor, via VGA and to a mouse and keyboard, via USB. The laptop is connected to mains AC via the supplied AC/DC adapter.

3.6 Deviations from the Test Standard

None

3.7 Environmental Conditions

3.7.1 Environmental Conditions – Conducted Emissions System

See details for each individual test below

3.7.2 Environmental Conditions – SAC5 (Radiated Emissions)

See details for each individual test below

4. TEST RESULTS

4.1 Test Results – AC Power Line Conducted Emissions (Unintentional Trans.)

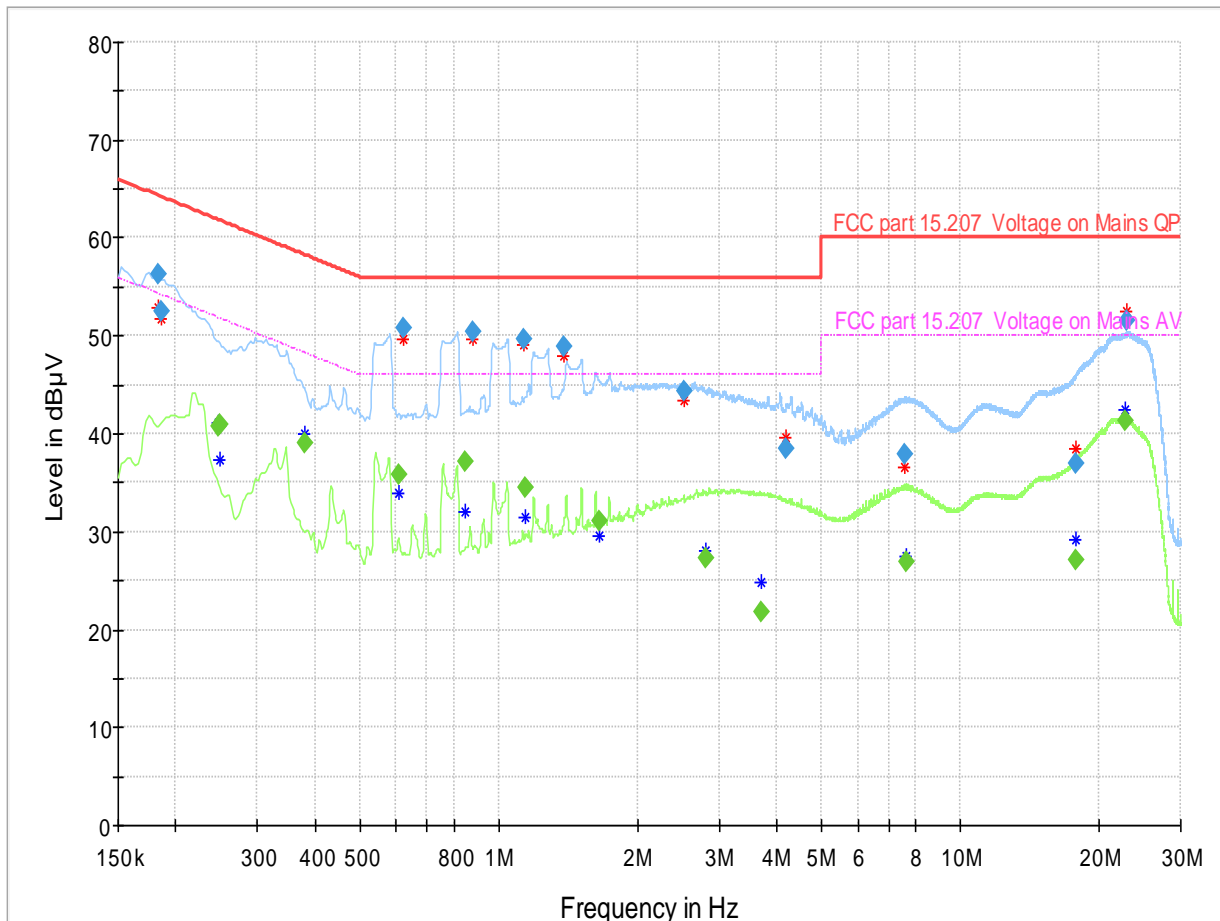
4.1.1 AC Power Line Conducted Emissions (Unintentional) – Test Summary

Test Specification	FCC 47 CFR 15.107 (Part 15 Subpart B)	
Test Engineer & Date	Sam Ebadeh	2020.03.13
EUT and Ancillary Equipment IDs	A000252971-001	<ul style="list-style-type: none"> - A000252971-013 Computer - A000252971-009 Power Supply - A000252971-020 Monitor - A000252971-022 Mouse - A000252971-021 Keyboard - A000252971-019 Headset - A000252971-016 USB Adapter
EUT Operation Mode(s)	#1	
EUT Wireless Configuration(s)	Device in normal operation mode (hopping, modulation and packet type chosen by device)	
EUT Hardware Configuration(s)	-	
Overall Result	PASS	
Test Parameter	Frequency Range	Result*
AC Power Line Emissions - Idle Mode – “N” Line	150 kHz – 30 MHz	PASS
AC Power Line Emissions - Idle Mode – “L1” Line	150 kHz – 30 MHz	PASS

* For detailed measurements, see tables and graphs in sections below

4.1.2 AC Power Line Conducted Emissions (Unintentional) – Test Details

Test	Conducted Emission	
Test mode condition	Music Streaming Mode	
Standard	FCC part 15.107	
EUT	A000252971-004 (with A000252971-016 USB adapter)	
Ancillary Equipment	Ancillary devices inside the chamber:	<ul style="list-style-type: none"> - A000252971-013 Computer - A000252971-009 Power Supply - A000252971-020 Monitor - A000252971-022 Mouse - A000252971-021 Keyboard - A000252971-019 Headset
Test Engineer	Sam Ebadeh	Date: 2020.03.13
Environmental conditions	Temperature: 22,8 °C	Humidity: 29,0 %



- Preview Result 2-CAV
- Preview Result 1-QPK
- * Critical_Freqs CAV
- * Critical_Freqs QPK
- FCC part 15.207 Voltage on Mains QP
- FCC part 15.207 Voltage on Mains AV
- ◆ Final_Result QPK
- ◆ Final_Result CAV

The graph shows the maximum of N and L1 line measurements (i.e. whichever is higher) for each measured point

Final_Result

Frequency (MHz)	QuasiPeak (dBµV)	CAverage (dBµV)	Limit (dBµV)	Margin (dB)	Meas. Time (ms)	Bandwidth (kHz)	Line	Filter
0.183750	56.25	---	64.31	8.07	1000.0	9.000	L1	ON
0.186000	52.43	---	64.21	11.78	1000.0	9.000	N	ON
0.246750	---	40.83	51.87	11.03	1000.0	9.000	N	ON
0.249000	---	41.03	51.79	10.76	1000.0	9.000	N	ON
0.379500	---	38.98	48.29	9.31	1000.0	9.000	L1	ON
0.606750	---	35.91	46.00	10.09	1000.0	9.000	N	ON
0.620250	50.76	---	56.00	5.24	1000.0	9.000	N	ON
0.845250	---	37.13	46.00	8.87	1000.0	9.000	N	ON
0.881250	50.47	---	56.00	5.53	1000.0	9.000	N	ON
1.133250	49.62	---	56.00	6.38	1000.0	9.000	N	ON
1.140000	---	34.41	46.00	11.59	1000.0	9.000	N	ON
1.387500	48.87	---	56.00	7.13	1000.0	9.000	N	ON
1.646250	---	31.15	46.00	14.85	1000.0	9.000	N	ON
2.517000	44.28	---	56.00	11.72	1000.0	9.000	L1	ON
2.800500	---	27.37	46.00	18.63	1000.0	9.000	L1	ON
3.691500	---	21.72	46.00	24.28	1000.0	9.000	N	ON
4.175250	38.39	---	56.00	17.61	1000.0	9.000	N	ON
7.552500	37.90	---	60.00	22.10	1000.0	9.000	L1	ON
7.629000	---	26.92	50.00	23.08	1000.0	9.000	L1	ON
17.767500	---	27.18	50.00	22.82	1000.0	9.000	N	ON
17.767500	36.90	---	60.00	23.10	1000.0	9.000	N	ON
22.767000	---	41.32	50.00	8.68	1000.0	9.000	N	ON
22.998750	51.54	---	60.00	8.46	1000.0	9.000	N	ON

4.2 Test Results – Radiated Emissions (Unintentional Transmitter)

4.2.1 Radiated Emissions (Unintentional) – Test Summary

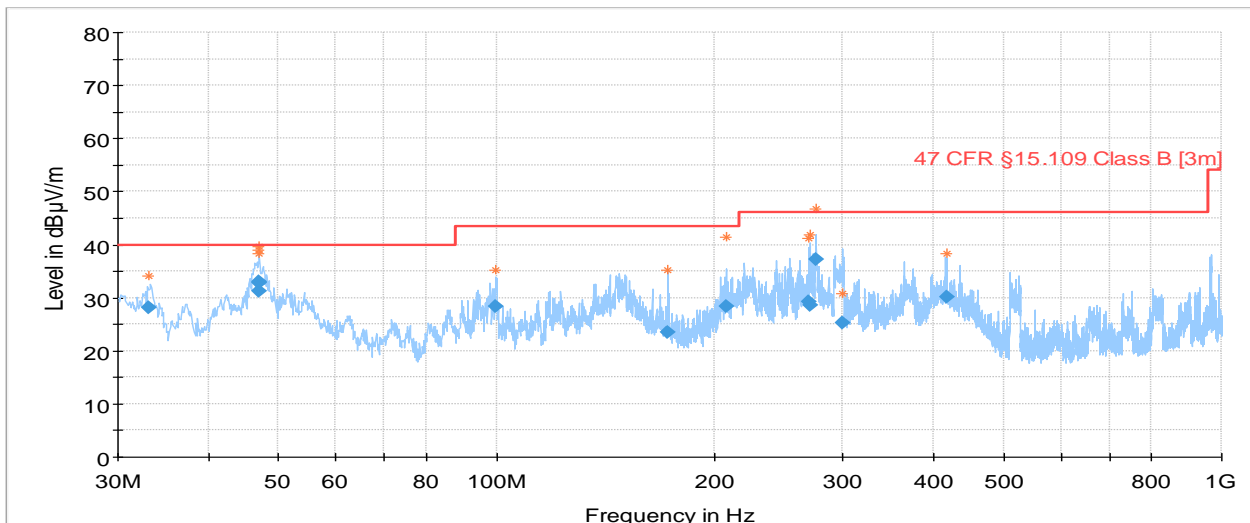
Test Specification	FCC 47 CFR 15.109 (Part 15 Subpart B)	
Test Engineer & Date	Joel Efraimsson	2020.03.12 to 2020.03.15
EUT and Ancillary Equipment IDs	A000252971-004	<ul style="list-style-type: none"> - A000252971-013 Computer - A000252971-009 Power Supply - A000252971-020 Monitor - A000252971-022 Mouse - A000252971-021 Keyboard - A000252971-019 Headset - A000252971-016 USB Adapter
EUT Operation Mode(s)	#1	
EUT Wireless Configuration(s)	Device in normal operation mode (hopping, modulation and packet type chosen by device)	
EUT Hardware Configuration(s)	-	
Overall Result	PASS	
Test Parameter	Frequency Range	Result*
Radiated Emissions - Idle Mode	30 MHz – 1 GHz	PASS
Radiated Emissions - Idle Mode	1 GHz – 18 GHz	PASS

* For detailed measurements, see tables and graphs in sections below

NOTE: The peaks visible in the graph below between 2402MHz and 2480MHz are caused by the Bluetooth transmission between the EUT and the headset, and hence and not considered as 'unintentional emissions)

4.2.2 Radiated Emissions (Unintentional) – Test Details
30MHz – 1GHz

Test	Bluetooth classic	
Test mode condition	Music Streaming Mode	
Test frequency	30 MHz- 1 GHz	
antenna position	Vertical and Horizontal	
Standard	FCC Part 15 Subpart B	
EUT	A000252971-004 (with A000252971-016 USB adapter)	
Ancillary Equipment	Ancillary devices inside the chamber: - A000252971-013 Computer - A000252971-009 Power Supply - A000252971-020 Monitor - A000252971-022 Mouse - A000252971-021 Keyboard - A000252971-019 Headset	
EUT Configuration	#1	
Test Engineer	Joel Efraimsson	Date: 2020.03.12
Environmental conditions	Temperature: 18,2 °C	Humidity: 40,5 %
Chamber details	Chamber: SAC 5	Measurement distance: 3 meter

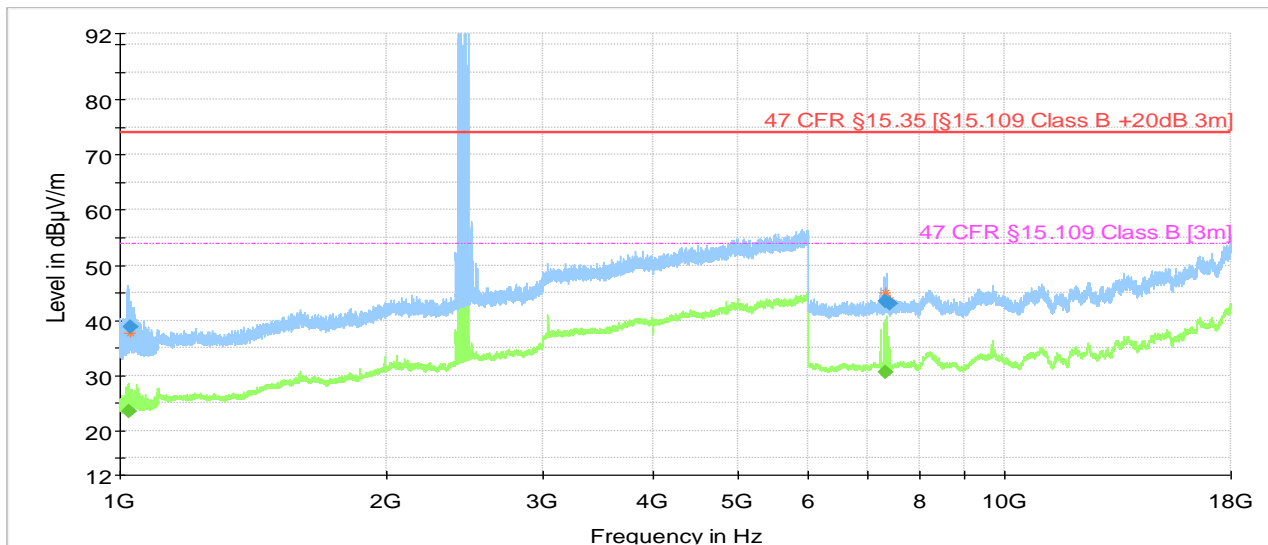


- Preview Result 2-AVG
- Preview Result 1-PK+
- * Critical_Freqs AVG
- * Critical_Freqs PK+
- 47 CFR §15.109 Class B [3m]
- ◆ Final_Result QPK
- ◆ Final_Result AVG
- × MaxPeak-PK+ (Single)
- + QuasiPeak-QPK (Single)
- × Average-AVG (Single)

Frequency (MHz)	QuasiPeak (dBµV/m)	Limit (dBµV/m)	Margin (dB)	Meas. Time (ms)	Bandwidth (kHz)	Height (cm)	Pol	Azimuth (deg)
33.111280	28.05	40.00	11.95	1000.0	120.000	100.0	V	85.0
46.894280	32.81	40.00	7.19	1000.0	120.000	125.0	V	71.0
46.964200	33.04	40.00	6.96	1000.0	120.000	128.0	V	67.0
47.050320	31.34	40.00	8.66	1000.0	120.000	100.0	V	245.0
99.834000	28.32	43.52	15.20	1000.0	120.000	225.0	H	200.0
172.005560	23.48	43.52	20.04	1000.0	120.000	167.0	H	293.0
207.132640	28.31	43.52	15.21	1000.0	120.000	166.0	H	267.0
269.811880	29.25	46.02	16.77	1000.0	120.000	171.0	H	310.0
270.181040	28.59	46.02	17.44	1000.0	120.000	130.0	H	310.0
275.839640	37.26	46.02	8.76	1000.0	120.000	100.0	H	53.0
299.848600	25.20	46.02	20.82	1000.0	120.000	220.0	V	202.0
416.894960	30.07	46.02	15.95	1000.0	120.000	127.0	V	101.0

1GHz – 18GHz

Test	Bluetooth classic	
Test mode condition	Music Streaming Mode	
Test frequency	1 GHz- 18 GHz	
antenna position	Vertical and Horizontal	
Standard	FCC Part 15 Subpart B	
EUT	A000252971-004 (with A000252971-016 USB adapter)	
Ancillary Equipment	Ancillary devices inside the chamber: - A000252971-013 Computer - A000252971-009 Power Supply - A000252971-020 Monitor - A000252971-022 Mouse - A000252971-021 Keyboard - A000252971-019 Headset	
EUT Configuration	#1	
Test Engineer	Fariborz Abasi	2020.03.15
Environmental conditions	Temperature: 19,7 °C	Humidity: 30,2 %
Chamber details	Chamber: SAC 5	Measurement distance: 3 meter



- Preview Result 2-AVG
- Preview Result 1-PK+
- * Critical_Freqs AVG
- * Critical_Freqs PK+
- 47 CFR §15.35 [§15.109 Class B +20dB 3m]
- 47 CFR §15.109 Class B [3m]
- ◆ Final_Result PK+
- ◆ Final_Result AVG
- × MaxPeak-PK+ (Single)
- + Average-AVG (Single)

Frequency (MHz)	MaxPeak (dBµV/m)	Average (dBµV/m)	Limit (dBµV/m)	Margin (dB)	Meas. Time (ms)	Bandwidth (kHz)	Height (cm)	Pol	Azimuth (deg)
1021.950000	---	23.48	53.98	30.50	1000.0	1000.000	188.0	V	7.0
1027.788000	38.82	---	73.98	35.16	1000.0	1000.000	185.0	V	-8.0
7331.451000	---	30.71	53.98	23.27	1000.0	1000.000	285.0	H	-5.0
7339.851000	43.51	---	73.98	30.47	1000.0	1000.000	285.0	H	307.0
7414.049000	43.05	---	73.98	30.93	1000.0	1000.000	335.0	V	82.0

5. TEST EQUIPMENT STATUS

5.1 List of Hardware with Calibration Dates

5.1.1 Hardware List – Conducted Emissions System

Test Equipment List					
Type:	Manufacturer	Model	Serial Number	ID	Calibration Due:
Two-Line V-network	Rohde & Schwarz	ENV216	845268/010	2704076	09.07.2020
Two-Line V-network	Rohde & Schwarz	ENV216	100081	9001105	N/A*
Test Receiver 9KHz to 3.5 GHz	Rohde & Schwarz	ESR3	101674	2704016	03.07.2020
RF PROBE	Fischer Custom Communication INC	F-52	22	2902256	09.04.2020

*Second V-Line network (LISN) used for power to additional devices only, not used for measurements

5.1.2 Hardware List – SAC5 System

Type	Manufacturer	Model	Serial Number / ID	Calibration Date	Calibration Due
EMI Test Receiver	Rohde & Schwarz	ESW44	101760 2881044	28.10.2019	28.10.2020
Ultra Broadband Antenna	Rohde & Schwarz	HL562E	100988 2823181	23.07.2019	23.07.2021
Double Ridged Waveguide Horn Antenna	Rohde & Schwarz	HF907	102678 2823164	15.07.2019	15.07.2021
Control Device	Maturo	NCD	NCD/393/2372.01	N/A	N/A
Open Switch & Control Unit	Rohde & Schwarz	OSP150	100081 2884198	01.04.2019	01.04.2020
Open Switch & Control Unit	Rohde & Schwarz	OSP120	100084 2761253	01.04.2019	01.04.2020
Shielded Filter Unit	Rohde & Schwarz	OSP-F Extension	101333 2761265	01.04.2019	01.04.2020
Shielded Filter Unit	Rohde & Schwarz	OSP-F Extension	101335 2761266	01.04.2019	01.04.2020
Shielded Filter Unit	Rohde & Schwarz	OSP-F Base Unit	101330 2761262	01.04.2019	01.04.2020
Humidity Temperature Probe	Rotronic	HF532-DG1XX21X	0061829280 2926379	14.08.2018	14.08.2020

5.2 Software / Firmware Versions

Equipment	Software / Firmware Name	Version
Comprehensive Testing Environment (CTE)	CTE – TMF	V47.1
	CTE – BT	V43.1
Conducted Emissions System	EMC 32	V10.50.10
SAC 5	EMC 32	V10.50.40

6. MEASUREMENT UNCERTAINTY

6.1 Measurement Uncertainty for Conducted Emissions

Parameter	Uncertainty (Coverage Factor k=2)
Conducted emissions with LISN 150KHz to 30 MHz	2.98 dB

6.2 Measurement Uncertainty for SAC 5 (Radiated Emissions & Band Edge)

Parameter	Uncertainty (Coverage Factor k=2)
Field Strength 10 Hz -9 kHz	3.38 dB
Field Strength 9 kHz -30 MHz	3.38 dB
Field Strength 30 MHz -1000 MHz	3.38 dB
Field Strength 1 GHz -18 GHz	4.88 dB
Field Strength 18 GHz - 40 GHz	5.14 dB

7. PHOTOGRAPHS

7.1 Photographs of the Test Setup

See report 60351739 Appendix 1