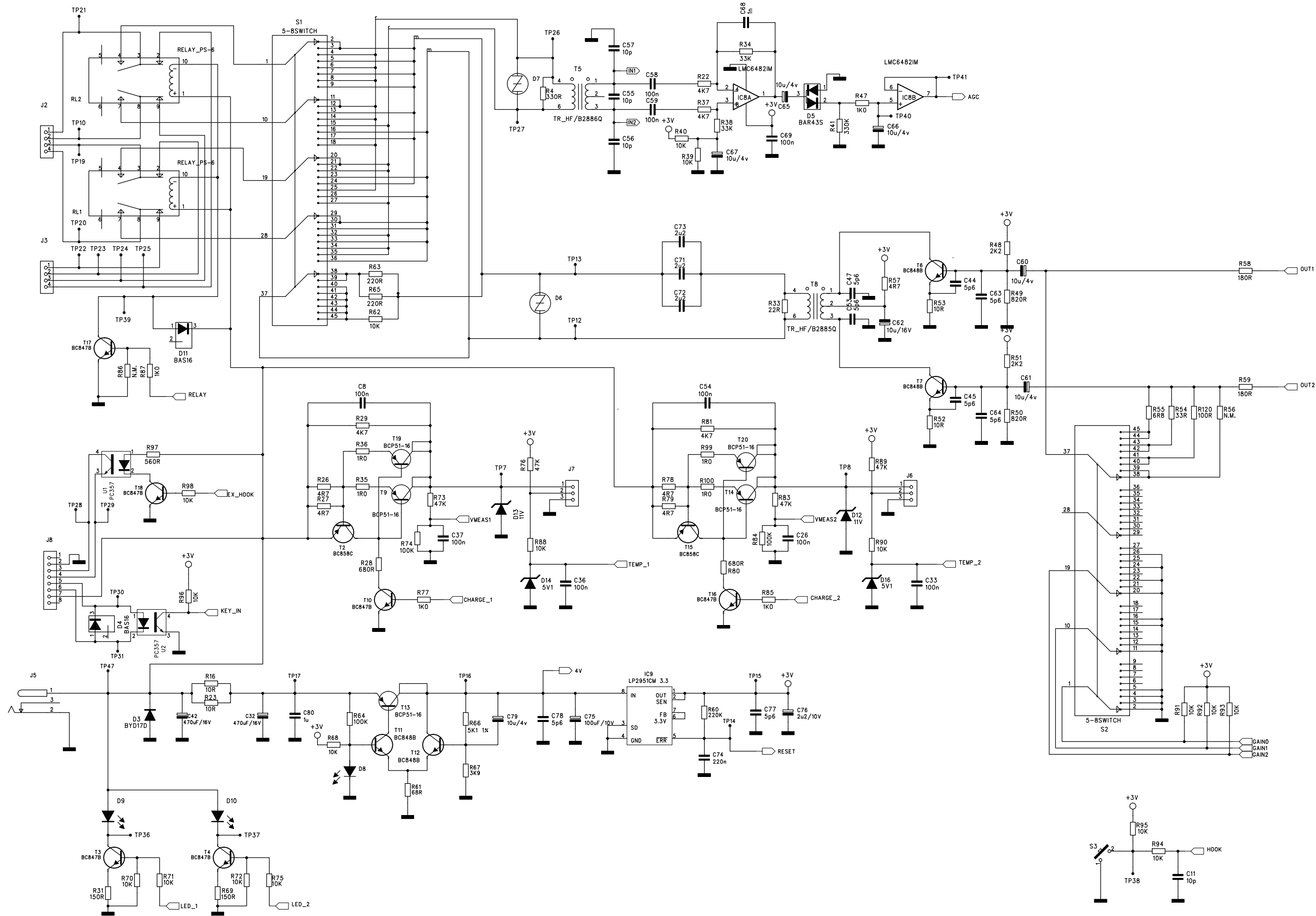
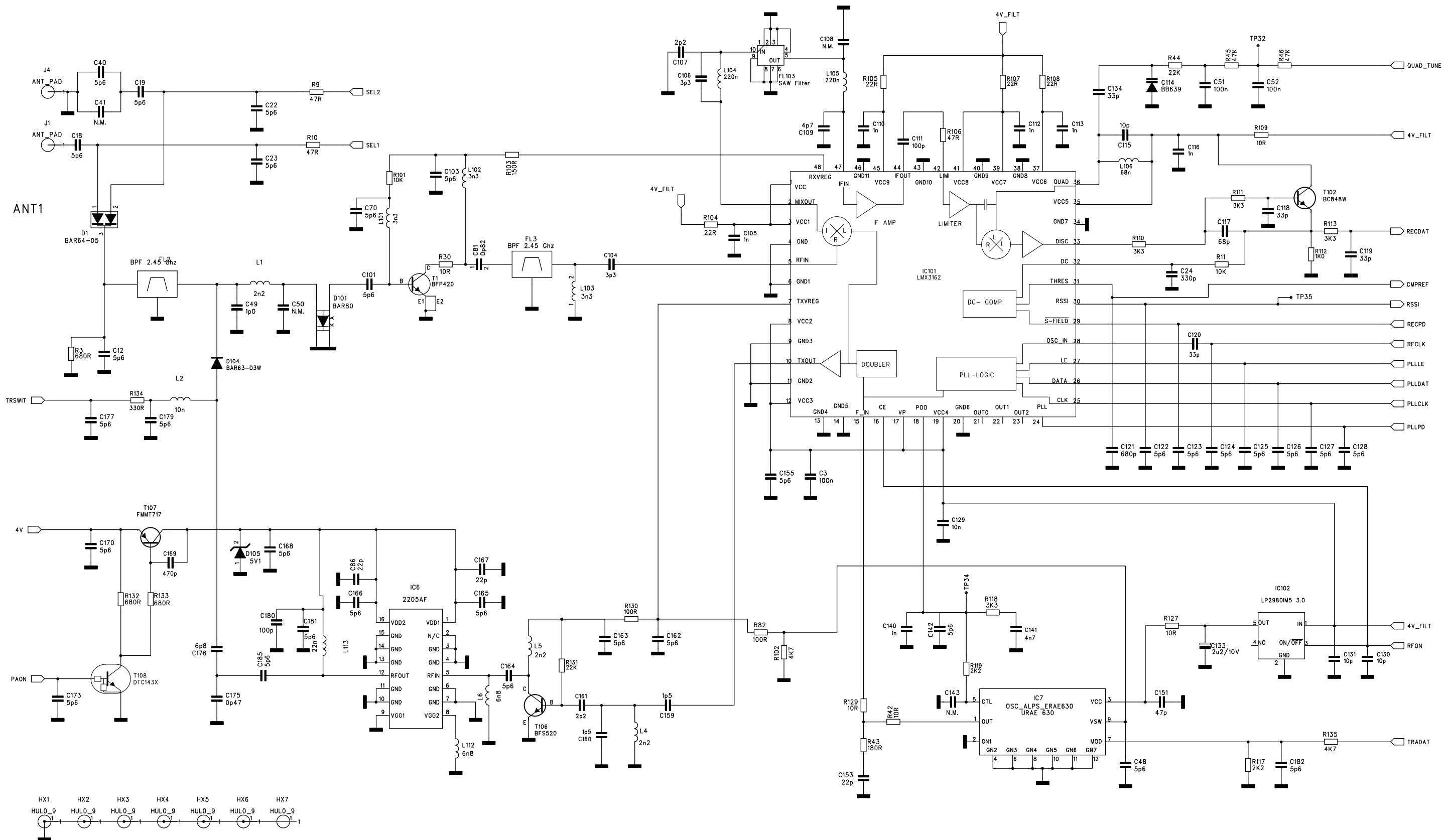


PROJECT	D6S1SIRIUS_B8RT_OFF_WHAT_PROJECT_?	VER	8.0
TITLE	B86B8NDN_SCHEMATIC_?	REV	D
DATE	980905	REF	DNIALS
FILENAME	SiriusB86B8NDN.sch	RTX RESEARCH	
SHEET OF SHEETS	1/8		

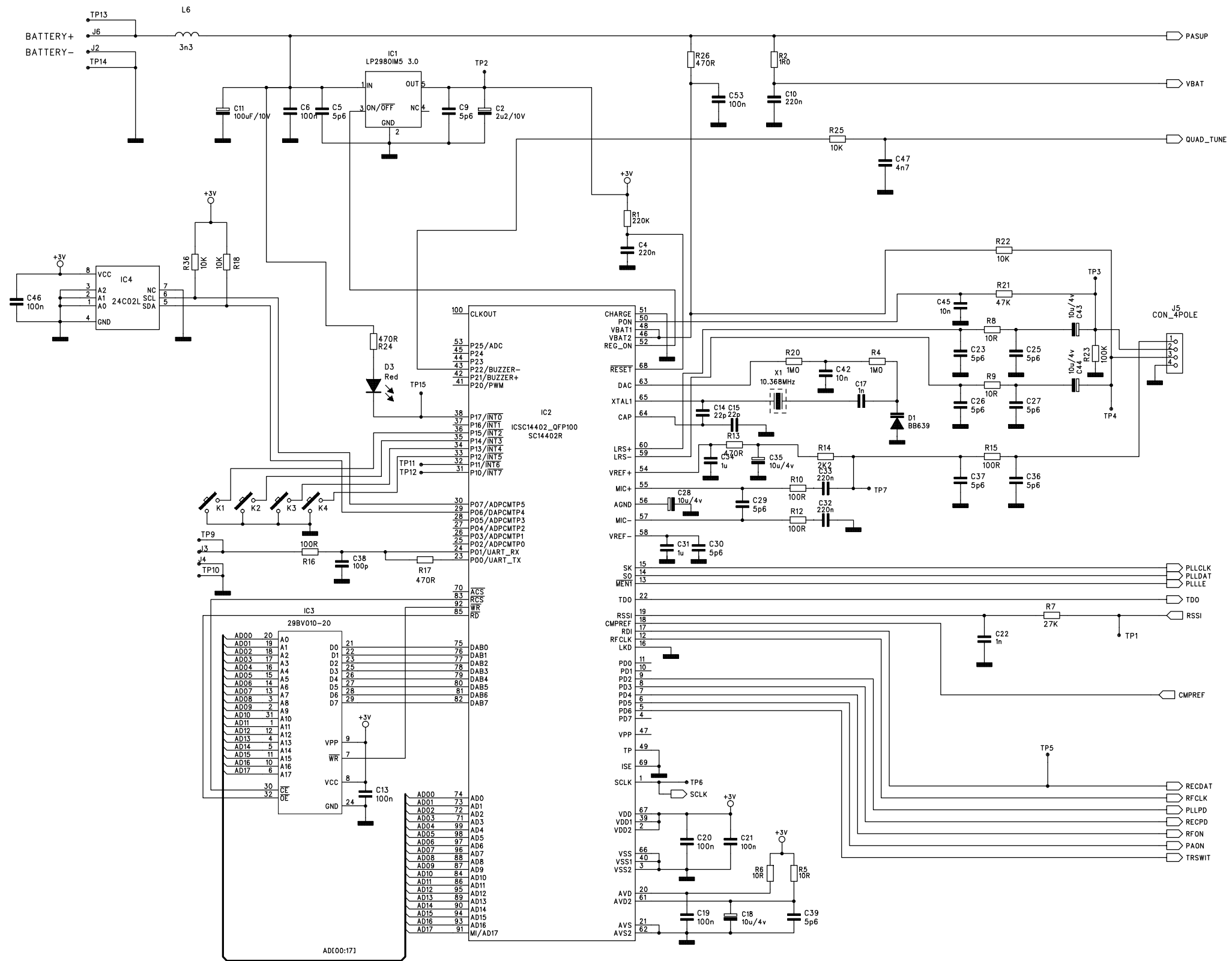


PROJECT	DECT SIRIUS LINE	VER	3.0
TITLE	LINE	REV	D
DATE	980106	REF	ON
FILENAME	SiriusBS040.sch	RTX RESEARCH	
SHEET OF SHEETS	3/3		

Sirius_2G4_BS_v1_typeapp.sch-2 - Wed Mar 03 13:38:45 1999

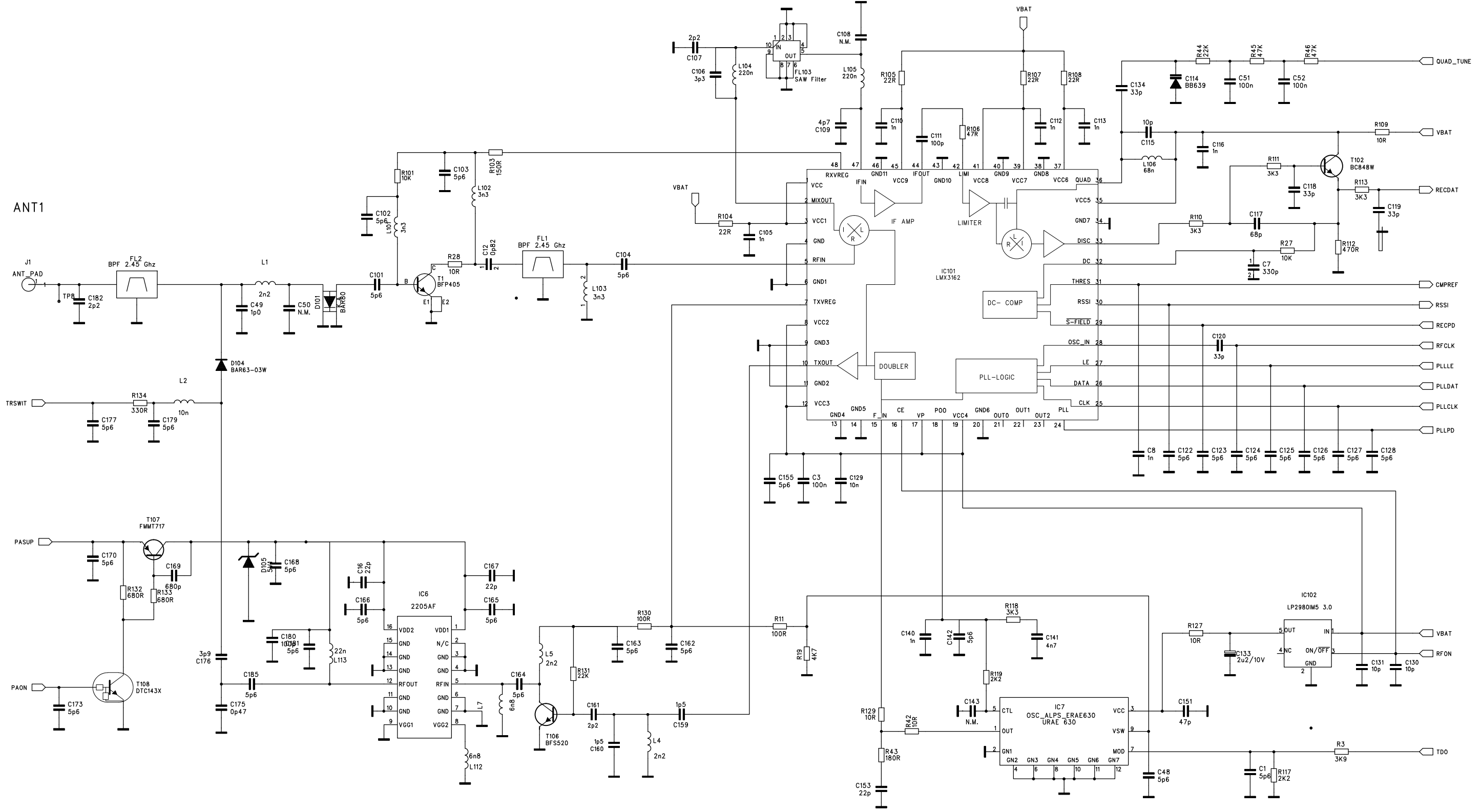


PROJECT	DECT SIRIUS BS	VER	3.0
TITLE	RF	REV	D
DATE	980106	REF	FA
FILENAME	SiriusBS040.sch	RTX RESEARCH	
SHEET OF SHEETS	2/3		



PROJECT	DECT SIRIUS HS	VER	3.0
TITLE	Logic Part	REV	B
DATE	980106	REF	ON
FILENAME	SiriusHS028.sch	RTX RESEARCH	
SHEET OF SHEETS	1/2		

Sirius2g4HS-Typeapp.sch-2 - Wed Mar 03 14:29:19 1999



PROJECT	DECT SIRIUS HS	VER	3.0
TITLE	RF work	REV	B
DATE	980106	REF	FA
FILENAME	SiriusHS028.sch	RTX RESEARCH	
SHEET OF SHEETS	2/2		