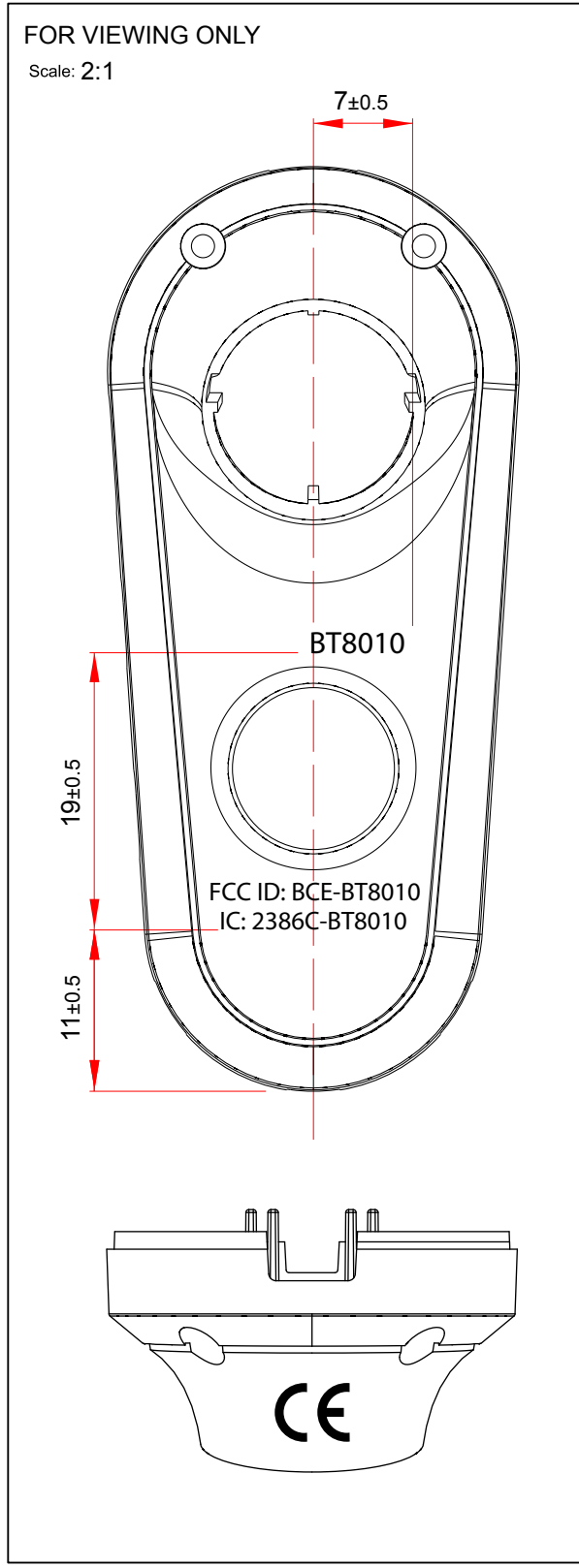
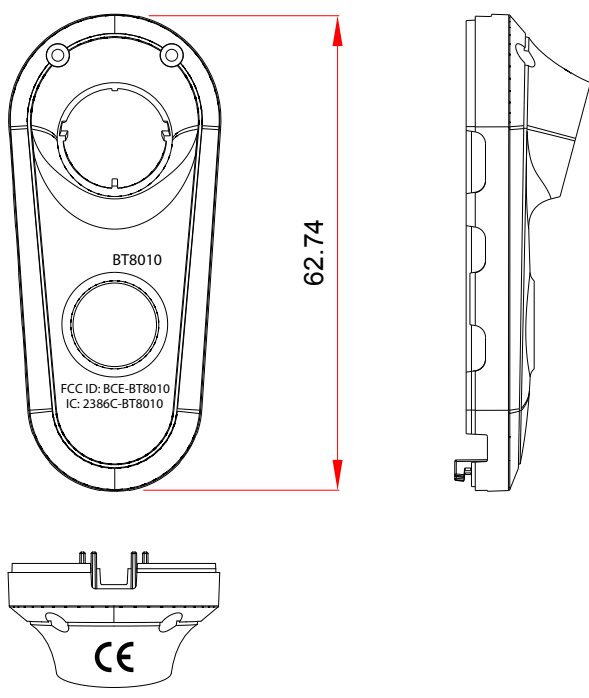




8
7
6
5
4
3
2



Responsible dept. Mobile Division		Document type Print instruction		Document status RELEASED	
		Description REAR HOUSING PAD PRINT/ARTWORK		Ident. No. 83-00286	Projection: 
		Created by GW		Approved by PFJ	
Date of issue 26.06.2006		Revision A		Page No.: 1 of 1	
				Scale: 1:1	

This drawing is the property of GN Netcom A/S and is to be treated as confidential by the party to whom it has been submitted by GN Netcom A/S and is not to be disclosed to any third party without the specific written permission of GN Netcom A/S

All dimensions are in mm.
Copyright © 2004 GN Netcom A/S

A B C D E F