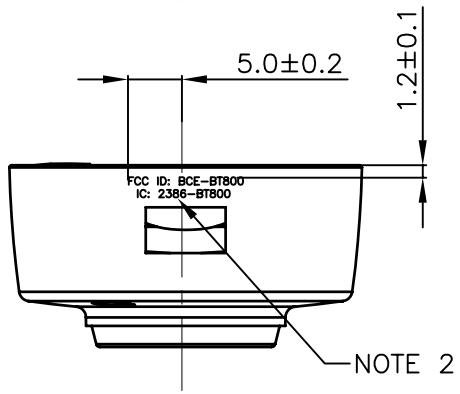
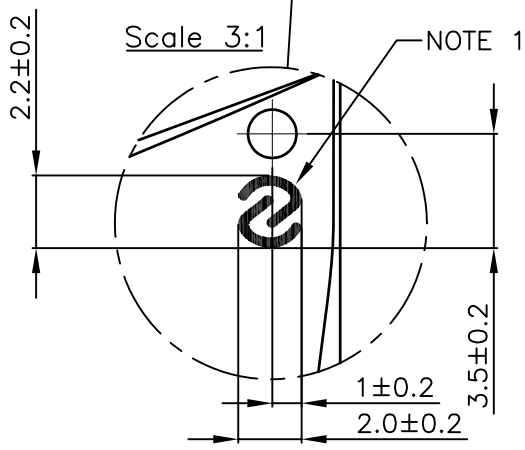
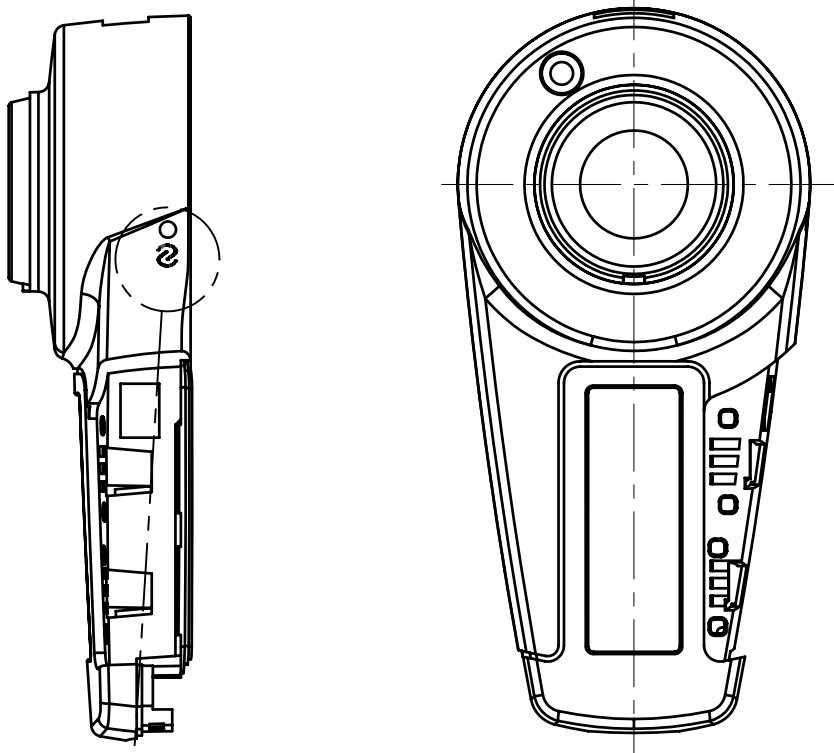


8
7
6
5
4
3
2
1



SPECIFICATION:	
MANUFACTURER:	TYPE/ORDER NO.:
CRITICAL COMPONENT: <input type="checkbox"/> YES <input checked="" type="checkbox"/> NO	
TAMPO PRINTED ON PART NO.: 0485-879	
NOTE 1: ARTWORK NO.: 83-00031 PRINT COLOUR: SILVER	
NOTE 2: FONT NOT CRITICAL	
INCOMING INSPECTION, SPECIFICATION:	
LOOKING AT THE DEVICE FROM A DISTANCE OF 25 CM. THE LOGO AND PRINTINGS MUST NOT HAVE ANY BREAKS OR PORES.	

FIRST ISSUE DATE: --	DRAWN BY: PFJ	APPR. BY: NHK	Drawing No.: 83-00015
ECO. ISSUE DATE:	DRAWN BY:	APPR. BY:	
Description: HOUSING PRINTED			Projection:
ECO. NO.:	T:\ \ \	REVISION: 0	PAGE 1 OF 1 PAGES. SCALE: 1.5:1

©2000 GN Netcom as. All rights reserved. All dimensions are in mm.

A | B | C | D | E | F