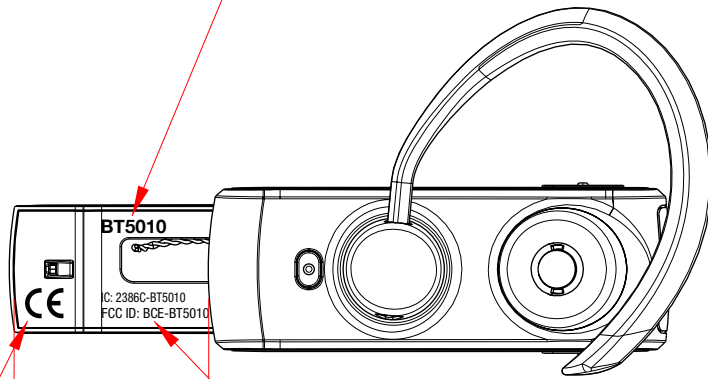


8

TEXT HEIGHT: 2 mm
HELVETICA BOLD

7



6

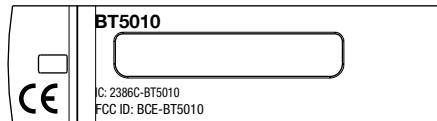
25.7

TEXT HEIGHT: 4 mm

TEXT HEIGHT: 1.4 mm
HELVETICA CONDENSED

5

4



3


PRINT COLOUR: WHITE

NOTE: FOR IQC AND OQC FOLLOWING
CHARACTERISTICS MUST BE EVALUATED:#

2

 = PROCESS CONTROL DIMENSION

1

Responsible dept. R & D Mobile	Document type PRINT INSTRUCTION	Document status CONCEPT
	Description SLIDER REAR COVER - MECHANICAL PART	Ident. No. 83-00295
	Created by PKR (GW)	Approved by PKR Date of issue 04.05.2006 Revision -



This drawing is the property of GN Netcom A/S and is to be treated as confidential by the party to whom it has been submitted by GN Netcom A/S and is not to be disclosed to any third party without the specific written permission of GN Netcom A/S

All dimensions are in mm.
Copyright © 2004 GN Netcom A/S

A

B

C

D

E

F