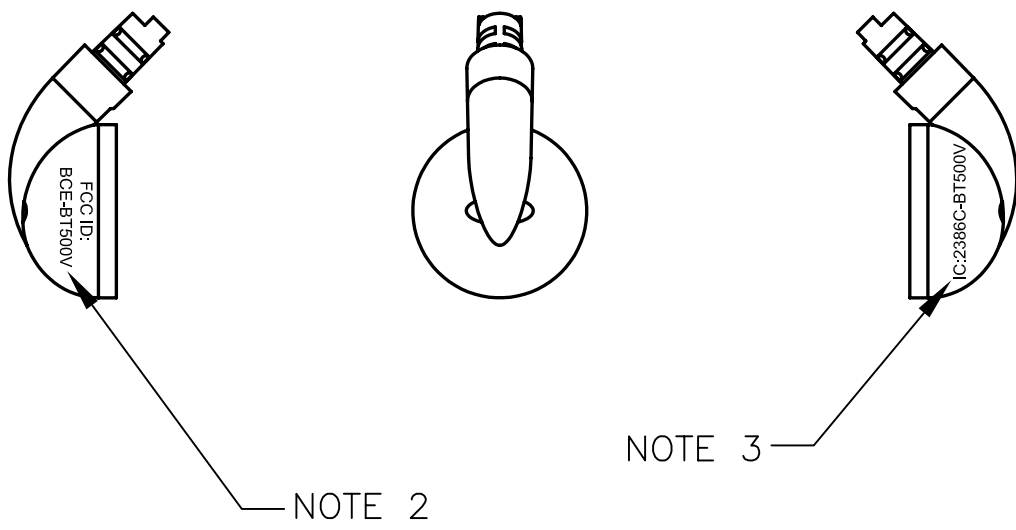
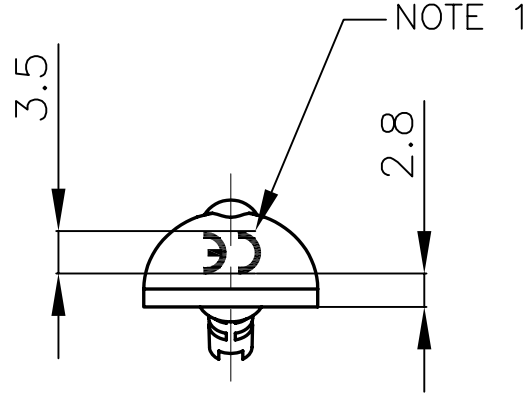



8
7
6
5
4
3
2



PAD PRINTET TEXT IN PANTONE COLOUR 4635C:
 NOTE 1: CE LOGO
 NOTE 2: FCC ID: BCE-BT500V (TEXT HEIGHT 1 mm.)
 NOTE 3: IC: 2386C-BT500V (TEXT HEIGHT 1 mm.)

Responsible dept. Mobile Division		Document type Printinstruction		Document status RELEASED	
		Description SPEAKER HOUSING, PRINTED		Ident. No. 83-00227	
Created by PFJ		Approved by IMG		Technical reference IMG	
ECO/NPR No.		Date of issue 21/OCT/2005	Revision A	Page No.: 1 OF 1	
				Scale: 2:1	
This drawing is the property of GN Netcom A/S and is to be treated as confidential by the party to whom it has been submitted by GN Netcom A/S and is not to be disclosed to any third party without the specific written permission of GN Netcom A/S				All dimensions are in mm. Copyright © 2004 GN Netcom A/S	

A | B | C | D | E | F