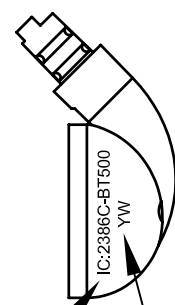
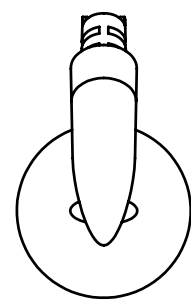
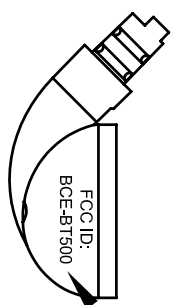
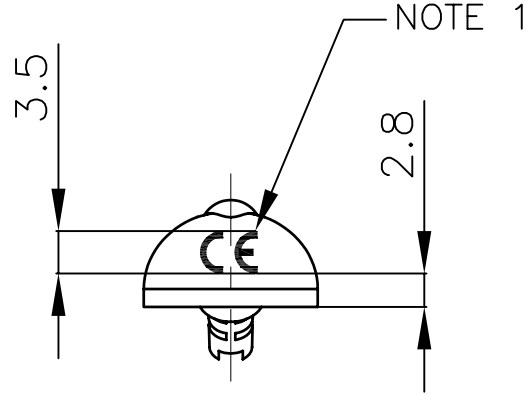


8
7
6
5
4
3
2
1



NOTE 2

NOTE 3

NOTE 4


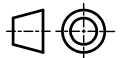
PAD PRINTET TEXT IN PANTONE COLOUR 7544C:

NOTE 1: CE LOGO

NOTE 2: FCC ID: BCE-BT500 (TEXT HEIGHT 1 mm.)

NOTE 3: IC: 2386C-BT500 (TEXT HEIGHT 1 mm.)

NOTE 4: DATE CODE ACCORDING TO FORMAT IN B.O.M. (LASER ETCHED)

Responsible dept. Mobile Division		Document type Printinstruction		Document status RELEASED	
		Description SPEAKER HOUSING, PRINTED		Ident. No. 83-00119	Projection: 
		Created by PFJ		Approved by IMG	
ECO/NPR No. -		Date of issue 28.02.2005	Revision A	Page No.: 1 OF 1	Scale: 2:1
This drawing is the property of GN Netcom A/S and is to be treated as confidential by the party to whom it has been submitted by GN Netcom A/S and is not to be disclosed to any third party without the specific written permission of GN Netcom A/S					All dimensions are in mm. Copyright © 2004 GN Netcom A/S

A | B | C | D | E | F