

© 2006 Jabra, GN Mobile A/S (GN Netcom A/S). All rights reserved. Jabra® is a registered trademark of GN Mobile A/S (GN Netcom A/S). All other trademarks included herein are the property of their respective owners. The Bluetooth® word mark and logos are owned by the Bluetooth SIG, Inc. and any use of such marks by GN Mobile A/S (GN Netcom A/S) is under license. (Design and specifications subject to change without notice)



**Jabra**  
BT 325s



[www.jabra.com](http://www.jabra.com)



Made in China

1 Year  
Warranty



RELEASE YOUR JABRA

**Jabra**

Bluetooth headset

User manual

**Jabra**

[www.jabra.com](http://www.jabra.com)

Fig. 1

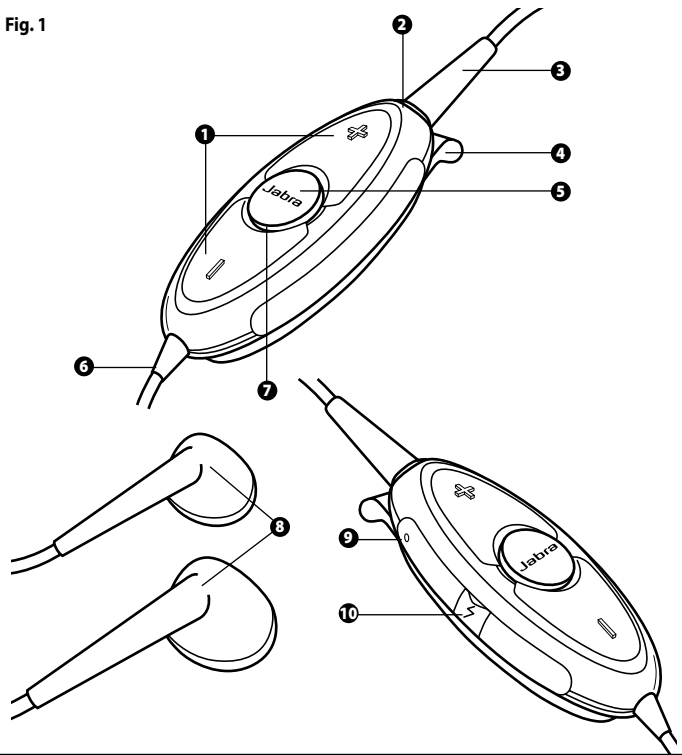


Fig. 2

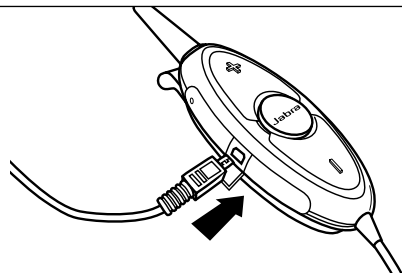


Fig. 3

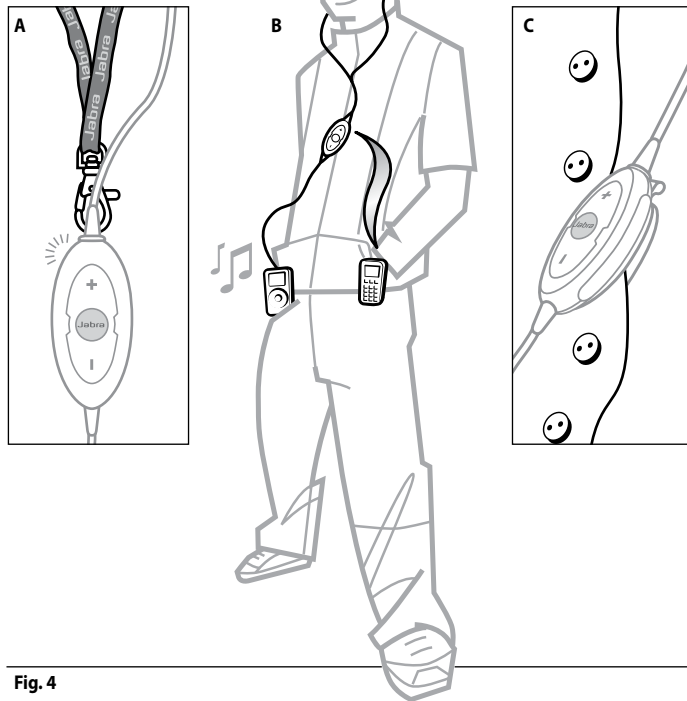


Fig. 4



English.....1  
 繁體中文.....11  
 简体中文.....21  
 日本語.....31  
 한국어.....41  
 Bahasa Malaysia .....51  
 ภาษาไทย .....61

# English

|  |    |
|--|----|
| Thank you.....   | 2  |
| GETTING STARTED.....   | 4  |
| 1. Charge your Jabra BT325s.....                                   | 5  |
| 2. Turn on your Jabra BT325s.....                                  | 5  |
| 3. Pairing with a mobile phone.....                                | 5  |
| 4. Wearing your Jabra BT325s.....                                  | 6  |
| 5. Listening to your music from your stand-alone music player..... | 6  |
| 6. How to.....   | 6  |
| 7. Exchanging the Jabra headphones.....                            | 7  |
| 8. What the lights mean.....                                       | 8  |
| 9. Troubleshooting and FAQ.....                                    | 8  |
| 10. Need more help?.....   | 9  |
| 11. Taking care of your headset.....                               | 9  |
| 12. Warranty.....  | 10 |
| 13. Certification and safety approvals.....                        | 11 |
| 14. Glossary.....  | 12 |

## Thank you

Thank you for purchasing the Jabra BT325s Bluetooth headset. We hope you enjoy it. The user guide will get you started and ready to make the most of your Jabra headset.

## ! Remember, driving comes first not the call!

Using a mobile phone while driving can distract you and increase the risk of an accident. If driving conditions demand it (such as bad weather, high traffic density, presence of children in the car or difficult road conditions), pull off the road and park before making or answering calls. Also, try and keep conversation short and do not make notes or read documents.

**Use of this headset with both ears covered while driving may not be permitted in certain countries.**

**Remember: Always drive safely, avoid distractions and follow local laws.**

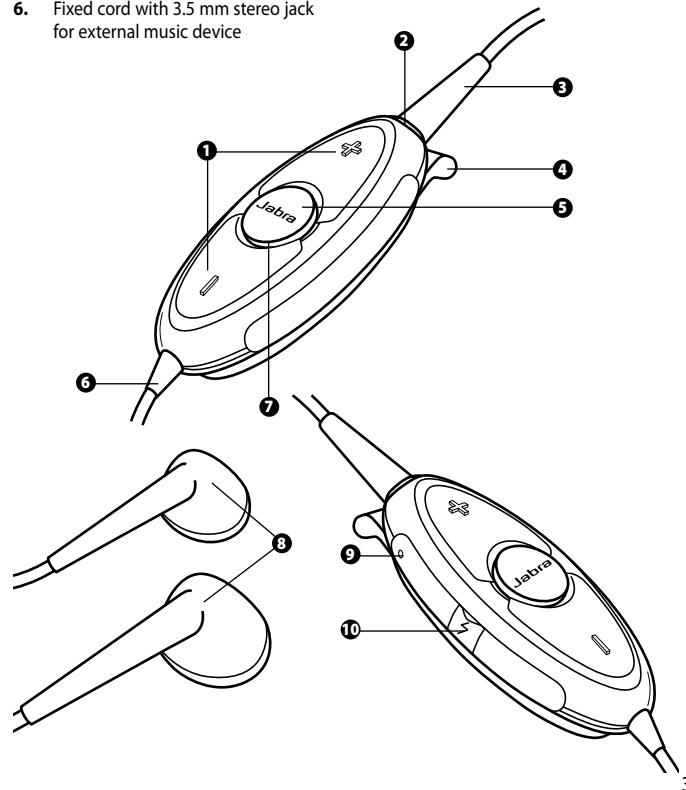
## Protect your hearing!

Conducting calls or listening to music at a high volume level might impair your hearing. Please always use your Jabra headset at a safe, low volume level. Jabra does not take responsibility for hearing impairment that is caused by use of your Jabra headset at a volume level which is not safe.

**If using a set of headphones other than the supplied Jabra model, please note that differences in impedance and sensitivity might limit or increase the maximum volume output level. Therefore, always use extra precaution when using other headphones than the original Jabra model.**

## About your Jabra BT325s

- |   |                                     |
|---|-------------------------------------|
| 1. Volume up (+) Volume down (-)                                | 7. Indicator Light                  |
| 2. Headphone socket   | 8. Stereo headphones (exchangeable) |
| 3. Headphone connector (detachable)                             | 9. Microphone                       |
| 4. Clothing clip with lanyard loop                              | 10. Charging socket                 |
| 5. Answer/end button  |                                     |
| 6. Fixed cord with 3.5 mm stereo jack for external music device |                                     |



## What your new headset can do

The Jabra BT325s lets you listen to your favorite stand-alone music player, while ensuring that you never miss a call from your Bluetooth enabled mobile phone.

### Your Jabra BT325s lets you do all this, when acting as a Bluetooth headset:

- Pair with up to 8 devices
- Answer calls
- End calls
- Reject calls\*
- Voice dialing\*
- Last number redialing\*
- Call waiting\*
- Place call on hold\*

#### \* Phone dependent

Please note that all buttons on the Bluetooth device are dedicated to controlling the above functionality.

#### Specifications:

- Talk time up to 8 hours/standby time up to 240 hours
- Rechargeable battery with charging option from AC power supply
- Weighs less than 40 grams incl. the original Jabra headphones
- Operating range up to 33 feet (approx. 10 meters)
- Handsfree (default) and Headset Bluetooth profiles
- Bluetooth specification 1.2 (*See glossary page 12*)
- IPx2 (The Jabra BT325s can withstand a short rain shower)

Please note that your Jabra BT325s can withstand a short rain shower but is not waterproof and cannot be submerged. If your device gets wet, it should be wiped clean of any traces of water in order to protect it from potential damage.

## GETTING STARTED

The Jabra BT325s is easy to operate. All buttons are dedicated to control your mobile phone calls, and the buttons performs different function depending on how long you press them:

| Instruction:   | Duration of press:       |
|----------------|--------------------------|
| Tap            | Press briefly and let go |
| Press          | Approx: 1 second         |
| Press and hold | Approx: 5 seconds        |

## 1 Charge your Jabra BT325s

Fully charge your Jabra BT325s, before you start using it. Use only the chargers provided in the box – do not use chargers from any other devices as this might damage your Jabra BT325s.

Connect the Jabra BT325s as shown in fig. 2. to the AC power supply to charge from a power socket. When the indicator lights are solid red, your headset is charging. When the lights turn to green, the headset is fully charged.

## 2 Turn on your Jabra BT325s

- **Press** the answer/end button to turn on the Jabra BT325s - when the device is on the LED indicator light will flash four times.
- **Press and hold** the answer/end button to turn the device off

Note that the Jabra BT325s can still play music from the stand-alone music player even though the Jabra BT325s is turned off.

## 3 Pairing with a mobile phone

Before using the Jabra BT325s with a mobile phone, you must first pair it.

1. **Put the Jabra BT325s into pairing mode:**
  - Make sure the headset is turned off.
  - **Press and hold** the answer/end button until the indicator light is solid blue.
2. **Set your mobile phone to 'discover' the Jabra BT325s**  
Follow your phone's instruction guide. This usually involves going to a 'set up' 'connect' or 'Bluetooth' menu on your phone and selecting the option to discover or add a Bluetooth device. (*See example from typical mobile phone in fig. 4*)
3. **Your phone will find the Jabra BT325s**  
Your phone will ask if you want to pair with it, accept this with 'yes' or 'ok' and confirm with **the passkey or PIN=0000 (4 zero's)**

Your phone will confirm when pairing is complete. In case of unsuccessful pairing repeat steps 1 to 3.

## 4 Wearing your Jabra BT325s

Your Jabra BT325s is designed to be comfortably worn using the integrated clothing clip or lanyard loop (lanyard not included). The microphone is integrated on the top left side of the device (**when viewing the Jabra BT325s as shown in figure 3.A**). Please take this into account when positioning the main device to ensure a clear pickup of your voice. (See fig. 3.B)

## 5 Listening to your music from your stand-alone music player

The Jabra BT325s realizes its full potential when used in conjunction with a stand-alone music player. This could be an MP3-player, a portable media center or any other external music device, featuring a standard 3.5mm stereo connector.

To use the Jabra BT325s with your music player, plug the 3.5 mm jack into the headphone socket on your music player. You are now able to listen to your favorite tunes whilst ensuring that you will never miss a call from your Bluetooth enabled mobile phone.

Please note that all controls on the Jabra BT325s are dedicated for controlling your mobile phone calls. Controlling your music, ex. start/stop, skip track forward/backward, volume etc., must be done from your music device.

**The Jabra BT325s is compatible with most stand-alone music players.**

## 6 How to....

### Listen to music

**Plug in** the 3.5mm fixed cord into your stand-alone music device. The Jabra BT325s does not need to be turned on for listening to music.

You can also unplug the headphones and insert them directly into the music device as regular headphones.

### Answer a call

**Tap** the answer/end button on your Jabra BT325s to answer a call when phone is ringing. Music will fade automatically when an incoming call comes in.

### End a call

**Tap** the answer/end button to end an active call. Music will continue automatically after the call.

### Reject a call\*

**Press** the answer/end button when the phone rings to reject an incoming call. Depending on your phone settings, the person who called you will either be forwarded to voice mail or hear the busy signal.

### Make a call\*

When you make a call from your mobile phone, music will fade and the call will (subject to phone settings) automatically be transferred to the Jabra BT325s when connected.

### Activate voice dialing\*

**Tap** the answer end button and speak the name. For best results, please record the voice-dialing tag when you are wearing the Jabra BT325s. Please consult your phone's user manual for more info on using this feature.

### Redial last number\*

**Press** the answer end button.

### Call waiting and placing a call on hold\*

This lets you put a call on hold during conversation to answer an incoming call.

- **Press** the answer/end button once to put the active call on hold and answer the incoming call
- **Press** the answer/end button to switch between the two calls
- **Tap** the answer/end button to end the active conversation

### Adjust sound and volume

Press the volume up or down (+ or -) to adjust the volume. (See fig. 1)

### \*Phone dependent

## 7 Exchanging the Jabra headphones

In order to exchange your supplied Jabra headphones with your favourite set, simply plug your headphone jack into the headphone socket on the Jabra BT325s.

If using another set of headphones than the supplied Jabra model, please note that differences in impedance and sensitivity might limit or increase the maximum volume output level. An impedance level of 16 Ohm is recommended for the best performance. However, always use extra precaution when using another set of headphones than the original Jabra model.

## 8 What the lights mean

| What you see        | What is the mean about your headset           |
|---------------------|---|
| Flashing blue light | Flashing every second: active on a call       |
| Flashing blue light | Flashing every three seconds: in standby mode |
| Flashing red light  | Running low on battery                        |
| Solid red light     | Charging                                      |
| Solid green light   | Fully charged                                 |
| Solid blue light    | In pairing mode – see section 3               |

## 9 Troubleshooting and FAQ

### I hear crackling noises

Bluetooth is a radio technology which means it is sensitive to objects between the headset and the device it is connected to. You should be able to have a bout 10 meters (33 feet) of distance between the headset and the connected device when there are no major objects in the way (Walls etc.).

### I cannot hear the phone call in the headset

Increase the volume on the BT325s.

Ensure that the headset is paired to your phone.

Make sure your phone is connected to the headset in the phone's menu or by tapping the answer/end button on the BT325s.

### I have pairing problems

You may have deleted your pairing connection in your mobile phone - follow the pairing instructions in section 3.

### I cannot use Reject call, call on hold, redial or voice dialing

These features are dependent on your phone supporting Bluetooth handsfree profile, please consult your phone's manual for details.

### I cannot hear music in the headset

Increase the volume on your music device.

Ensure that the headphones are connected properly to the BT325s

Make sure the BT325s are connected to the 3.5 mm port on the music device

Make sure that the BT325s is charged (it does not need to be turned on, but should be charged)

If the BT325s has run out of batteries and you are not able to charge, you can connect the headphones directly to the music device.

### I cannot control the music volume through the volume control on the BT325s

The volume control and answer/end button are dedicated to phone call controlling.

### I want music to pause when I am on a call

Music will continue playing when you are on a phone call. If you want it to pause, please use pause/stop on your music device.

## 10 Need more help?

1. Web: [www.Jabra.com](http://www.Jabra.com) (for the latest support info and online User Manuals)

2. Phone toll free Monday to Friday

### Toll Free No:

|              |                  |                 |
|--------------|------------------|-----------------|
| Australia:   | 1-800-083-140    | (10:00 – 19:00) |
| China:       | 800-858-0789     | (08:00 – 19:00) |
| Hong Kong:   | 800-968-265      | (08:00 – 17:00) |
| Indonesia:   | 001-803-852-7664 | (08:00 – 17:00) |
| Japan:       | 0034-800-400-594 | (09:00 – 18:00) |
| Malaysia:    | 1800-812-160     | (08:00 – 17:00) |
| New Zealand: | 0800-447-982     | (12:00 – 21:00) |
| Singapore:   | 800-860-0019     | (08:00 – 17:00) |
| Taiwan:      | 0080-186-3013    | (08:00 – 19:00) |
| India:       | 000-800-852-1185 | (05:30 – 14:30) |
| Philippines: | 1800 765 8068    | (08:00 – 17:00) |

## 11 Taking care of your headset

- Always store the Jabra BT325s with the power off and safely protected
- Avoid storage at extreme temperatures (above 45°C/113°F – including direct sunlight – or below -10°C/14°F). This can shorten battery life and may affect operation. High temperatures may also degrade performance.
- If exposed to water or other liquids, the device should be wiped clean from any traces of water.

## 12 Warranty

Jabra (GN Netcom) warrants this product against all defects in material and workmanship for a period of one year from the date of original purchase. The conditions of this warranty and our responsibilities under this warranty are as follows:

- The warranty is limited to the original purchaser.
- A copy of your receipt or other proof of purchase is required. Without proof of purchase, your warranty is defined as beginning on the date of manufacture as labeled on the product.
- The warranty is void if the serial number, date code label or product label is removed, or if the product has been subject to physical abuse, improper installation, modification, or repair by unauthorized third parties.
- The responsibility of Jabra (GN Netcom) products shall be limited to the repair or replacement of the product at its sole discretion.
- Any implied warranty on Jabra (GN Netcom) products is limited to one year from the date of purchase on all parts, including any cords and connectors.
- Specifically exempt from any warranty are limited-life consumable components subject to normal wear and tear, such as microphone windscreens, ear cushions, decorative finishes, batteries, and other accessories.
- Jabra (GN Netcom) is not liable for any incidental or consequential damages arising from the use or misuse of any Jabra (GN Netcom) product.
- This warranty gives you specific rights and you may have other rights which vary from area to area.
- Unless otherwise instructed in the User Manual, the user may not, under any circumstances, attempt to perform service, adjustments or repairs on this unit, whether in or out of warranty. It must be returned to the purchase point, factory or authorized service agency for all such work.
- Jabra (GN Netcom) will not assume any responsibility for any loss or damage incurred in shipping. Any repair work on Jabra (GN Netcom) products by unauthorized third parties voids any warranty.

## 13 Certification and safety approvals

### China

Conforms to the provisions on the Radio Regulations of China.

### Republic of Korea

Certified under the provisions of Regulations on Certification of Information and Communication Equipment by Director General of Radio Research Laboratory (Ministry of Information and Communication)

### Taiwan

Approved by The Directorate General of Telecommunications (Ministry of Transportation and Communications).

### Singapore

Approved by the Infocomm Development Authority of Singapore (IDA) for sale and use in Singapore.

### FCC

This device complies with part 15 of the FCC Rules. Operation is subject to the following two conditions: (1) This device may not cause harmful interference, and (2) this device must accept any interference received, including interference that may cause undesired operation.

### CE

This product is CE marked according to the provisions of the R & TTE Directive (99/5/EC).

### Bluetooth

The Bluetooth® word mark and logos are owned by the Bluetooth SIG, Inc. and any use of such marks by Jabra is under license. Other trademarks and trade names are those of their respective owners.



## 14 Glossary

- 1 **Bluetooth** is a radio technology that connects devices, such as mobile phones and headsets, without wires or cords over a short distance (approx. 30 feet). Get more information at [www.bluetooth.com](http://www.bluetooth.com).
- 2 **Bluetooth profiles** are the different ways that Bluetooth devices communicate with other devices. Bluetooth phones support either the headset profile, the hands-free profile or both. In order to support a certain profile, a phone manufacturer must implement certain mandatory features within the phone's software.
- 3 **Pairing** creates a unique and encrypted link between two Bluetooth devices and lets them communicate with each other. Bluetooth devices will not work if the devices have not been paired.
- 4 **Passkey or PIN** is a code that you enter on your mobile phone to pair it with your Jabra BT325s. This makes your phone and the Jabra BT325s recognize each other and automatically work together.
- 5 **Standby mode** is when the Jabra BT325s is passively waiting for a call. When you 'end' a call on your mobile phone, the headset goes into standby mode.

## 繁體中文

|                              |    |
|------------------------------|----|
| 感謝您 .....                    | 14 |
| 1. 為您的 Jabra BT325s 充電 ..... | 17 |
| 2. 開啟您的 Jabra BT325s .....   | 17 |
| 3. 與用手機進行對接 .....            | 17 |
| 4. 配戴 Jabra BT325s .....     | 18 |
| 5. 從獨立的音樂播放器中收聽音樂 .....      | 18 |
| 6. 如何執行下列操作...               | 18 |
| 7. 更換 Jabra 耳機 .....         | 20 |
| 8. 指示燈的含義 .....              | 20 |
| 9. 故障排除和常見問題 .....           | 20 |
| 10. 需要更多幫助嗎? .....           | 21 |
| 11. 耳機保存 .....               | 21 |
| 12. 保養 .....                 | 22 |
| 13. 證明和安全認證 .....            | 23 |
| 14. 術語表 .....                | 24 |

## 感謝您

感謝您購買 Jabra BT325s 藍芽立體聲耳機麥克風。我們希望您能喜歡它。本說明手冊可以幫助您學會並充分發揮您的立體聲耳機麥克風的功能。

### ！請記住，重點是在駕駛，而不是電話！

駕駛時使用手機會分散您的注意力，增加發生事故的風險。如果駕駛條件較差（如天候不佳、交通壅塞、車內有小孩或路面狀況惡劣），則應駛離道路並停好車，然後再撥打或接聽電話。另外如果在駕駛時通話，應儘量保持對話簡短，並請勿製作記錄或閱讀文件。

某些國家不允許在駕駛時用耳機麥克風同時將雙耳塞住。

請記住：隨時保持安全駕駛、  
避免分散注意力，並恪遵當地法律。

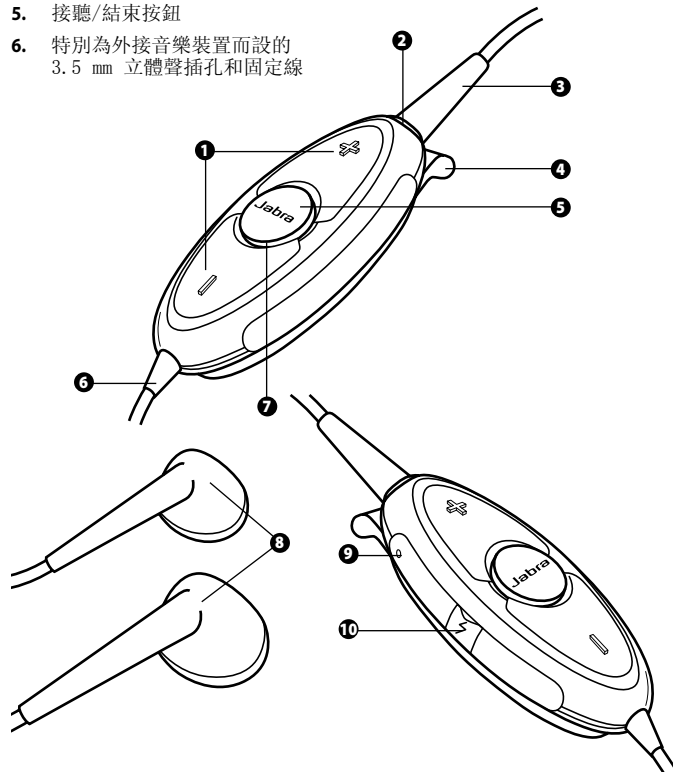
## 保護您的聽力！

以高音量利用耳機通話或聽音樂可能會損害您的聽力。請經常以安全的低音量使用您的 Jabra 耳機。一切因為利用不安全的音量來使用 Jabra 耳機而造成的聽力傷害，Jabra 恕不負責。

若使用隨附的 Jabra 型號以外的耳機，請注意：阻抗和靈敏度的不同，可能會限制或增加最大音量輸出水平。因此，使用隨附 Jabra 型號以外的耳機時，請特別小心謹慎。

## Jabra BT325s概述

1. 提高音量 (+)，降低音量 (-)
2. 耳機插座
3. 耳機連接器（可拆式）
4. 夾衣扣附繫索環
5. 接聽/結束按鈕
6. 特別為外接音樂裝置而設的 3.5 mm 立體聲插孔和固定線
7. 指示燈
8. 立體聲耳機（可更換式）
9. 麥克風
10. 充電插座



## 耳機的功能

透過 Jabra BT325s，您可收聽最喜愛的獨立音樂播放器，同時確保您不會漏接任何一通來自藍芽手機的電話。

當您使用 Jabra BT325s 作為藍芽耳機時，它可為您達成下列所有功能：

- 最多可對接 8 項裝置
- 接聽來電
- 結束來電
- 拒接來電\*
- 語音撥號\*
- 重撥上次撥出號碼\*
- 來電等待\*
- 將來電置於等待狀態\*

\*視個別電話而定

請注意，藍芽裝置上的所有按鈕都是為了控制上述功能而設。

規格：

- 通話時間最高可達 8 小時/待機時間最高可達 240 小時
- 可從交流電源選擇充電方式的可充電電池
- 包括原廠 Jabra 耳機在內的重量不超過 40 克
- 工作範圍可達 33 英尺 (10 米)
- 免持聽筒 (預設) 及藍芽規格耳機
- 藍芽規格 1.2 (請參見第 24 頁的術語表)
- IPx2 (Jabra BT325s 可經得起短暫的陣雨)

請注意，您的 Jabra BT325s 可經得起短暫的陣雨但無法防水，因此不能浸水。若裝置濕了，必須將水擦乾，避免進一步的損壞。

## 入門

Jabra BT325s 的操作非常簡單。所有按鈕都是為了控制您的手機來電而製造，而按鈕將視您按它們的時間長短而執行不同的功能：

| 指示 | 時間的長短 |
|----|-------|
| 輕按 | 短暫輕按  |
| 按下 | 按約1秒  |
| 按住 | 按約5秒  |

## 1 為您的 Jabra BT325s 充電

在使用您的 Jabra BT325s 前，請將它充份充電。只能使用包裝盒內提供的充電器 - 不能使用任何其它設備的充電器，因為這樣可能會損壞 Jabra BT325s。

如圖 2 所示，將 Jabra BT325s 連接至交流電源，然後再從插座充電。當指示燈顯示為穩定的紅色時，表示耳機麥克風正在充電。當指示燈變綠時，表示耳機麥克風已完全充電。

## 2 開啟您的 Jabra BT325s

按下接聽/結束按鍵可開啓 Jabra BT325s - Jabra BT325s 開啓時，LED 指示燈會閃爍四次。

按住接聽/結束按鍵可關閉設備。

請注意：即使已關閉 Jabra BT325s，它仍可從獨立音樂播放器播放音樂。

## 3 用手機進行對接

在手機上使用 Jabra BT325s 前，您必須將它們對接。

### 1. Jabra BT325s 置於對接模式：

確保耳機麥克風已關閉。

按住接聽/結束按鍵，直到指示燈顯示穩定的藍色。

### 2. 設置您的手機，使其「發現」Jabra BT325s

按照電話的使用說明進行操作。該操作通常包括進入您手機的「設定」、「連接」或「藍芽」選單，然後選擇「發現」或「添加」藍芽設備的選項。(參見圖 3 中所示的典型手機範例)

### 3. 您的手機將找到 Jabra BT325s

您的手機將詢問您是否要與之對接，同意則按下「是」或「確定」，並使用密碼或 PIN = 0000 (4 個零) 來確認。

當對接完成後，您的手機將會確認。如果对接不成功，請重複步驟 1 到 3。

## 4 配戴 Jabra BT325s

您的 Jabra BT325s 已經過特別設計，因此可在使用整合式夾衣扣或繫索環（未附繫索）時，就能舒適佩戴。麥克風是整合至裝置的右邊（若按照圖 3. A 的方法檢視 Jabra BT325s）。在定位主裝置時，請將這一點考慮在內，以確保取得清晰的語音效果。（見圖 3. B）

## 5 從獨立的音樂播放器中收聽音樂

Jabra BT325s 與獨立的音樂播放器連接之後，就能發揮其最大功能。音樂播放器可以是 MP3 播放器、手提媒體中心或任何其它外接音樂裝置，其呈現的功能是標準的 3.5mm 立體聲連接器。

欲將 Jabra BT325s 連接至音樂播放器，請將 3.5 mm 插頭插入音樂播放器的耳機插孔內。現在，您就能在收聽喜愛曲目的同時，也不會漏接任何一通來自藍芽耳機的電話。

請注意，所有 Jabra BT325s 之控制鍵都是為了控管您的手機來電而設。若要控制您的音樂，例如開始/停止播放、上/下一首曲目和音樂等，都必須在您的音樂裝置上控制。

Jabra BT325s 與大部份獨立的音樂播放器相容。

## 6 如何執行下列操作...

### 收聽音樂

將 3.5mm 的固定線插入您的獨立音樂裝置中。您不必開啟 Jabra BT325s 就能收聽音樂。

您也可以拔下耳機，直接將之插入音樂裝置中，作為一般耳機之用。

### 接聽來電

電話鈴響起時，輕按 Jabra BT325s 上的接聽/結束按鍵可接聽電話。當收到來電時，音樂將自動淡出。

### 結束來電

輕按接聽/結束按鍵可結束當前通話。通話後音樂將自動繼續播放。

### 拒接來電\*

當電話鈴聲響起時，按下接聽/結束按鍵可拒接來電。根據您的電話設定，將來電引導至您的語音信箱或聽到忙音。

### 撥打電話\*

當您用手機撥打電話時，如果連接了BT325s，音樂將淡出而電話也將（根據手機設定）自動轉接到您的BT325s上。

### 啟動語音撥號\*

輕按接聽結束按鍵，說出與撥打電話之對方姓名。為了獲得最佳效果，建議在配戴 Jabra BT325s 時錄製語音撥號標籤。若想瞭解有關此功能的更多資訊，請查閱您的手機使用者手冊。

### 重撥上次號碼\*

按下接聽/結束按鈕。

### 呼叫等待和將通話置於等待狀態\*

此功能可讓您在通話時將來電置於等待狀態時，能夠接聽另外一個來電。

- 按下接聽/結束按鍵一次可暫停當前通話，並接聽另一個來電
- 按下接聽/結束按鍵可在兩個通話之間切換
- 輕按接聽/結束按鍵可結束當前通話

### 調整聲音和音量

按下提高音量或降低音量（+ 或 -）可調節音量。（見圖 1）

\*視個別電話而定

## 7 更換 Jabra 耳機

只要將隨附的 Jabra 耳機插頭插入 Jabra BT325s 的耳機插座中，就能更換耳機的使用。

若使用隨附的 Jabra 型號以外的耳機，請注意：阻抗和靈敏度的不同，可能會限制或增加最大音量的輸出水平。為取得最佳效果，建議使用 16 Ohm 阻抗水平。因此，使用隨附 Jabra 型號以外的耳機時，請特別小心謹慎。

## 8 指示燈的含義

| 指示燈狀態 | 對耳機的含義           |
|-------|------------------|
| 藍燈閃爍  | 每秒閃爍一次：正在通話中     |
| 藍燈閃爍  | 每三秒閃爍一次：處於待機狀態   |
| 紅燈閃爍  | 電量不足             |
| 穩定的紅燈 | 正在充電             |
| 穩定的綠燈 | 完成充電             |
| 穩定的藍燈 | 處於配對狀態—請參閱第 3 節。 |

## 9 故障排除和常見問題

### 我聽到了劈啪的噪音

藍芽是一種無線電技術，也就是說它對耳機麥克風與耳機麥克風所連接的設備之間的物體很敏感。當耳機麥克風與其所連接的設備之間並無大型物體（如牆壁等）時，兩者之間可保持約 10 米（33 英尺）的距離。

### 我戴耳機麥克風時聽不到來電鈴聲。

提高 BT325s 的音量。

確保已將耳機麥克風與手機對接好。

請確保已透過手機選單或是透過輕按 BT325s 上的回答/結束按鈕，

將手機與耳機麥克風連接好。

### 我遇到了對接問題

您可能已在手機中刪除了對接連接 - 請參照第 3 部分的對接說明進行操作。

### 我不能使用拒接來電、呼叫等待、重撥或語音撥號等功能

這些功能是否可用，取決於您的手機是否支援藍芽免持規格，請參閱手機手冊以瞭解詳細資訊。

### 我在耳機麥克風裏聽不到音樂

提高音樂裝置的音量。

請確保已將耳機與 BT325s 連接好。

請確保已將 BT325s 連接至音樂裝置的 3.5 毫米連接埠上。

請確保已將 BT325s 充電（不必開啟，但必須充電。）

若 BT325s 已耗盡電量，且無法充電，您可將耳機直接連接至音樂裝置上。

### 我無法透過 BT325s 的音量控制來調整音樂的音量。

音量控制和回答/結束按鈕是專為控制電話使用而設計。

### 我想在講電話時暫停音樂

您在聽電話時音樂會繼續播放。欲暫停音樂，請使用您音樂裝置上的暫停/停止功能。

## 10 需要更多幫助嗎？

1. 網址：[www.jabra.com](http://www.jabra.com)（提供最新支援資訊和線上用戶手冊）

2. 請在星期一到星期五撥打免費電話 免費電話號碼：

澳洲： 1-800-083-140 (10:00 - 19:00)

中國： 800-858-0789 (08:00 - 19:00)

香港： 800-968-265 (08:00 - 17:00)

印尼： 001-803-852-7664 (08:00 - 17:00)

日本： 0034-800-400-594 (09:00 - 18:00)

馬來西亞： 1800-812-160 (08:00 - 17:00)

新西蘭： 0800-447-982 (12:00 - 21:00)

新加坡： 800-860-0019 (08:00 - 17:00)

台灣： 0080-186-3013 (08:00 - 19:00)

印度： 000-800-852-1185 (05:30 - 14:30)

菲律賓： 1800 765 8068 (08:00 - 17:00)

## 11 耳機保存

- 將Jabra BT325s在電源關閉狀態下妥善存放。
- 避免存放在極端溫度 (45°C/113°F以上，包括陽光直射的地方，或者-10°C/14°F以下)中。否則會縮短電池的使用壽命並影響產品性能。高溫也會損害產品性能。
- 若不慎將裝置曝露於水或其它液體中，請將水擦乾。

## 12 保養

Jabra (GN Netcom) 保養自最初購買之日起壹年內，該產品在製造材料和工藝方面不存在缺陷。保養條件以及我們的保養責任如下：

- 保養僅適用於原始購買者。
- 需要出示您的收據或其他購買憑證。在沒有購買憑證的情況下，將根據產品上所標示的生產日期開始計算保養時間。
- 如果序列號、生產日期或產品標籤被撕下，或該產品曾被粗暴使用、錯誤安裝、改裝或由未經授權的第三方進行維修，則保養將自動失效。
- Jabra (GN Netcom) 產品的保養責任應僅限於產品的維修或更換，具體措施由Jabra自行決定。
- 任何Jabra (GN Netcom) 產品的保養期限僅限於壹年（自所有部件的購買之日算起，包括連接線和連接器）。
- 屬於正常磨損的有限壽命消費性組件，例如麥克風防風罩、耳機墊、裝飾、電池和其他附件將不在保養範圍之列。
- Jabra (GN Netcom) 不對使用或濫用任何Jabra (GN Netcom) 產品所產生的任何直接或間接損失承擔責任。
- 該保養賦予您特定的權利，您也可擁有因地區而異的其他權利。
- 除非在用戶手冊中另有說明，否則用戶不得在任何情況下對產品進行維修、調試或修理，無論產品是否處於保養期內。必須將產品送交購買地點、工廠或經授權的服務機構進行全部上述工作。
- Jabra (GN Netcom) 將不會對運送過程中所產生的任何損失或損壞承擔責任。任何由未經授權的第三方維修過的Jabra (GN Netcom) 產品，其保養將自動失效。

## 13 證明和安全認證

中國：遵守中國無線電規例條文。  
大韓民國：經無線電研究驗證局（資訊通訊部）局長按資訊及通訊儀器證明規例條文證明。  
臺灣：經交通部電信總局認可。  
新加坡：經新加坡資訊通訊發展署批准於新加坡內銷售和及使用。

### FCC

此設備符合FCC規則第15部分的規定。設備使用應遵守下面兩種條件：  
(1)此設備不會產生有害干擾，且(2)設備必須承受任何接收到的干擾，包括可能引起設備工作不正常的干擾。

### CE

該產品貼有CE標誌，符合歐盟委員會的R & TTE Directive(99/5/EC) 條款的規定。

### Bluetooth (藍芽)

Bluetooth®字樣和標誌由Bluetooth SIG, Inc.所有，GN Netcom在得到許可的情況下使用這些標誌。其他商標和商業名稱歸各自所有者所有。

- 1 **Bluetooth (藍芽)**：是一種在短距離內（大約30英尺）不使用信號線或連接線而連接手機和耳機等設備的無線電技術。網站[www.bluetooth.com](http://www.bluetooth.com)中提供更多關於Bluetooth (藍芽)的資料。
- 2 **Bluetooth (藍芽) 應用規範**：是Bluetooth (藍芽) 設備與其他設備進行通訊的不同方法。Bluetooth (藍芽) 手機支援耳機應用規範、免提應用規範，或者兩種應用規範均支援。要支援特定的應用規範，手機製造商必須在手機的軟體中加入特定的強制性功能。
- 3 **配對(Pairing)**：在兩個Bluetooth (藍芽) 設備之間建立具有唯一性的加密鏈路，允許兩個設備相互通訊。Bluetooth (藍芽) 設備必須相互配對才能工作。
- 4 **密碼(Passkey)或個人識別碼(PIN)**：是您在手機上輸入的代碼，作用是將手機與Jabra BT325s配對。如果手機已經與耳機配對，手機和Jabra BT325s就會相互識別並自動配合工作。
- 5 **待機(Standby)狀態**：Jabra BT325s被動地等待來電的狀態。在手機上「結束」通話後，耳機即進入待機狀態。

|                            |    |
|----------------------------|----|
| 致谢 .....                   | 26 |
| 1. 给 Jabra BT325s 充电 ..... | 29 |
| 2. 开启 Jabra BT325s.....    | 29 |
| 3. 与手机对接.....              | 29 |
| 4. 佩戴 Jabra BT325s.....    | 30 |
| 5. 用单机音乐播放器听音乐.....        | 30 |
| 6. 如何执行下列操作.....           | 30 |
| 7. 互换 Jabra 耳机.....        | 31 |
| 8. 指示灯显示的含义.....           | 32 |
| 9. 故障排除与常见问题解答.....        | 32 |
| 10. 需要更多帮助吗? .....         | 32 |
| 11. 耳机保存 .....             | 33 |
| 12. 保修 .....               | 33 |
| 13. 证明和安全性认证.....          | 34 |
| 14. 术语表.....               | 35 |

## 致谢

感谢您购买 Jabra BT325s 蓝牙耳机。我们希望您能喜欢它。本用户指南可以帮助您学会并充分使用好您的 Jabra 耳麦。

### ！ 请记住，最重要的是安全驾驶，而不是电话！

驾驶时使用手机会分散您的注意力，增大发生事故的风险。如果驾驶条件较差（如天气不好、车辆较多、车内有小孩或路面状况差），则应驶离道路并停好车，然后再拨打或接听电话。另外如果在驾驶时通话，应尽量保持对话简短，并不要做记录或阅读文件。

某些国家不允许在驾驶时用耳麦同时塞住两只耳朵。

请记住：始终要安全驾驶、避免分散注意力，并遵守地方法律。

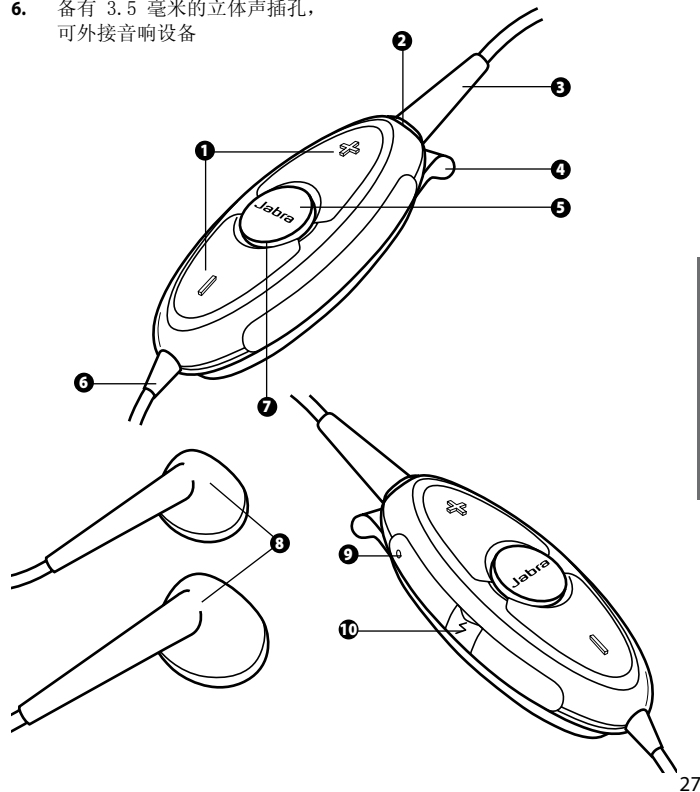
## 保护听力！

在通话或听音乐时，音量过大会导致听力受损。请始终将 Jabra 耳麦调至安全的低音量。由于您在不当音量下使用 Jabra 耳麦所造成的听力损伤，Jabra 概不负责。

如果使用非 Jabra 型的其它系列的耳机，请注意可能因电阻和灵敏度的差异，将会限制或提高最大输出音量。因此，使用非原装 Jabra 型的其它耳机时请始终使用特殊防护措施。

## Jabra BT325s 概述

1. 提高音量 (+) 降低音量 (-)
2. 耳机插孔
3. 耳机插头（可拆卸）
4. 耳麦线圈上配有衣夹
5. 接听/结束按钮
6. 备有 3.5 毫米的立体声插孔，可外接音响设备
7. 指示灯
8. 立体声耳机（可互换）
9. 麦克风
10. 充电插孔





## 您的新耳机可以做什么

Jabra BT325s 使您在通过单机音乐播放器享受最喜爱的音乐的同时，确保不会错过您的蓝牙手机的任何来电。

使用蓝牙耳机，Jabra BT325s 可以帮您同时实现以下所有功能：

- 可与多达 8 个设备进行对接
- 接听电话
- 挂机
- 拒接来电\*
- 语音拨号\*
- 重拨上次拨出号码\*
- 呼叫等待\*
- 暂停通话\*

\* 因手机而异

请注意：蓝牙设备上的所有按钮均用于控制以上功能。

规格：

- 通话时间长达 8 小时/待机时间长达 240 小时
- 可充电电池可从交流电源进行充电
- 连原装 Jabra 耳机在内，重量不足 40 克
- 工作范围可达 33 英尺（约 10 米）
- 免持（默认）和耳麦蓝牙规范
- 蓝牙规范 1.2（请参见第 35 页的术语表）
- IPx2（Jabra BT325s 可抵御短时阵雨）

请注意：虽然 Jabra BT325s 可抵御短时阵雨，但并不防水，切勿浸入水中。如果您的设备进水，必须将水擦干且不留任何水渍，以防止潜在危害。

## 开始安装

Jabra BT325s 操控简便。所有按钮均用于控制手机通话。按钮的功能取决于您按住按钮的时间。

| 指示 | 时间的长短  |
|----|--------|
| 轻按 | 短暂轻按   |
| 按下 | 按约 1 秒 |
| 按住 | 按约 5 秒 |

## 1 给 Jabra BT325s 充电

请在使用 Jabra BT325s 之前将其充满电。只能使用包装盒内提供的充电器 - 不能使用任何其它设备的充电器，因为这样可能会损坏 Jabra BT325s。

按照图 2 中所示方法将 Jabra BT325s 连接到交流电源的充电插孔上。当指示灯显示为稳定的红色时，表示耳机正在充电。当指示灯变绿时，表示耳机已充满电。

## 2 开启 Jabra BT325s

按接听/结束按钮开启 Jabra BT325s - 当设备开启时，LED 指示灯将闪烁四次。

按住接听/结束按钮关闭设备。

请注意，BT325s 在关闭时仍然可以从单机音乐播放器播放音乐。

## 3 与手机对接

在手机上使用 Jabra BT325s 之前，您必须先将其对接。

1. 将 BT325s 置于对接模式：

确保关闭耳麦。

按住接听/结束按钮，直到指示灯稳定为蓝色。

2. 设置手机以“发现”Jabra BT325s

依照手机的使用说明操作。通常首先进入手机的“设置”、“连接”或“蓝牙”菜单，然后选择选项以发现或添加蓝牙设备。（参见图 3 中的典型手机示例）

3. 手机将发现 Jabra BT325s

手机将询问您是否想要对接，回应“yes”或“ok”接受，然后输入配对码或 PIN=0000（4 个零）确认

手机将在对接完成时确认。如果对接失败，请重复步骤 1 至 3。

## 4 佩戴 Jabra BT325s

Jabra BT325s 配有衣夹或线圈（不包括耳麦线），令佩戴更舒适。麦克风安装在设备的左上方（按图 3. A 所示查看 BT325s）。在放置主要设备时，请务必考虑麦克风的位置，以确保清晰地拾取您的声音。（见图 3. B）

## 5 用单机音乐播放器听音乐

Jabra BT325s 与单机音乐播放器连接后，可以发挥该设备的所有潜在功能。它可作为 MP3 播放器、便携式媒体中心或任何其它外接音乐设备，并特有 3.5 毫米的立体声插头。

要在您的音乐播放器上使用 Jabra BT325s，请将 3.5 毫米的插头插入到音乐播放器的耳麦插孔中。现在您可以享受您最喜爱的音乐，并且不会错过您的蓝牙手机上的任何来电。

请注意 BT325s 上的所有控件均用于控制您的手机来电。诸如开始/停止、下一曲目/上一曲目、音量调节等音乐控制操作，必须在您的音乐设备上完成。

Jabra BT325s 可与大多数单机音乐播放器兼容。

## 6 如何执行下列操作……

### 听音乐

将 3.5 毫米的固定插头插入单机音乐设备。听音乐时无需开启 BT325s。您也可以拔掉耳机，然后直接插入音乐设备以作为专用耳机。

### 接听电话

电话铃响起时，轻按 BT325s 上的接听/结束按钮可接听电话。当接收来电时，音乐将自动停止。

### 结束通话

轻按接听/结束按钮可结束当前通话。通话结束后音乐将自动继续。

### 拒接来电\*

当电话铃声响起时，按下接听/结束按钮可拒接来电。根据您的电话设置，来电将被引导至您的语音信箱或听到忙音。

### 拨打电话\*

当您用手机拨打电话时，如果连接了 Jabra BT325s，音乐将停止且电话将根据手机设置自动转到您的耳麦上。

### 激活语音拨号\*

轻按接听/结束按钮，说出被叫方名字。为了获得最佳效果，请在佩戴 Jabra BT325s 时录制语音拨号标签。若想了解有关此功能的更多信息，请查阅您的手机用户手册。

### 重拨上次号码\*

按下接听/结束按钮。

### 呼叫等待和将通话置于等待状态\*

此功能允许您在通话时将来电置于等待状态，接听另外一个来电。

- 按下接听/结束按钮一次可暂停当前通话，并接听另一个来电
- 按下接听/结束按钮可在两个通话之间切换
- 轻按接听/结束按钮可结束当前通话

### 调节声音和音量

按下提高音量或降低音量（+ 或 -）可调节音量。（见图 1）

\* 因手机而异

## 7 互换 Jabra 耳机

要想按您喜爱的设定互换 Jabra 耳机，只需将您的耳机插头插入到 Jabra BT325s 上的耳机插孔中。

如果使用非 Jabra 型的其它系列的耳机，请注意可能因电阻和灵敏度的差异，将会限制或提高最大输出音量。建议将电阻设为 16 欧姆，以获得最佳效果。但是，使用非原装 Jabra 型的其它系列耳机时请始终使用特殊防护措施。

## 8 指示灯显示的含义

| 灯光显示情况 | 对耳机的含义           |
|--------|------------------|
| 蓝灯闪烁   | 每秒闪烁一次：正在通话中     |
| 蓝灯闪烁   | 每三秒闪烁一次：处于待机状态   |
| 红灯闪烁   | 电池电量不足           |
| 稳定的红灯  | 充电中              |
| 稳定的绿灯  | 电池充满             |
| 稳定的蓝灯  | 处于配对状态—请参阅第 3 节。 |

## 9 故障排除与常见问题解答

### 我听到噼啪杂音

作为一种无线电技术，蓝牙对耳麦与连接设备之间的物体非常敏感。您应该将耳麦与连接设备的间距保持在 10 米（33 英尺）左右，且两者之间不能阻隔任何大物体（墙壁，等）。

### 我无法通过耳麦接听来电

提高 BT325s 的音量。

确保耳麦与您的手机匹配正确。

查看手机菜单或轻按 BT325s 上的接听/结束按钮，确保您的手机与耳麦已接通。

### 我遇到对接问题

您可能删除了手机中的对接连接 - 依照第 3 部分的对接说明操作。

### 我无法使用拒接来电、暂停通话、重拨或语音拨号功能

这些功能取决于您的手机是否支持蓝牙免持，详情请查阅您的手机使用手册。

### 我无法通过耳麦欣赏音乐

提高音乐设备的音量。

确保耳机与 BT325s 连接正确

确保 BT325s 已连接至音乐设备上的 3.5 mm 插口

确保 BT325s 已充电（无需开启 BT325s，但需对其进行充电）

如果 BT325s 的电池电量已耗尽并且您无法对其进行充电，您可以将耳机直接连接至音乐设备。

我无法通过 BT325s 上的音量控制对音乐的音量进行控制  
音量控制和接听/结束按钮专用于来电控制。

### 我希望接听来电时暂停音乐

您在接听来电时音乐将继续播放。如果您想要暂停音乐，请使用音乐设备上的暂停/停止按钮。

## 10 需要更多帮助吗？

1. 网址：[www.jabra.com](http://www.jabra.com)（提供最新支持信息和在线用户手册）

2. 请在星期一至星期五拨打免费电话

免费电话号码：

澳大利亚： 1-800-083-140 (10:00 – 19:00)

中国： 800-858-0789 (08:00 – 19:00)

香港： 800-968-265 (08:00 – 17:00)

印度尼西亚： 001-803-852-7664 (08:00 – 17:00)

日本： 0034-800-400-594 (09:00 – 18:00)

马来西亚： 1800-812-160 (08:00 – 17:00)

新西兰： 0800-447-982 (12:00 – 21:00)

新加坡： 800-860-0019 (08:00 – 17:00)

台湾： 0080-186-3013 (08:00 – 19:00)

印度： 000-800-852-1185 (05:30 – 14:30)

菲律宾： 1800 765 8068 (08:00 – 17:00)

## 11 耳机保存

- 将Jabra BT325s在电源关闭状态下妥善存放。
- 避免存放在极端温度（45°C/113°F以上，包括阳光直射的地方，或者-10°C/14°F以下）中。否则会缩短电池的使用寿命并影响产品性能。高温也会损害产品性能。
- 如果沾染了水或其它液体，请将设备擦干，且不要残留水渍。

## 12 保修

Jabra (GN Netcom)保修自最初购买之日起壹年内, 该产品在制造材料和工艺方面不存在缺陷。保修条件以及我们的保修责任如下:

- 保修仅适用于原始购买者。
- 需要出具您的收据或其他购买凭证。在没有购买凭证的情况下, 将根据产品上所标示的生产日期开始计算保修时间。
- 如果序列号、生产日期或产品标签被撕下, 或该产品曾被不当使用、错误安装、改装或由未经授权的第三方进行维修, 则保修将自动失效。
- Jabra (GN Netcom)产品的保修责任应仅限于产品的维修或更换, 具体措施由Jabra 自行决定。
- 任何Jabra (GN Netcom)产品的保修期限仅限于壹年 (自所有部件的购买之日算起, 包括连接线和连接器)。
- 属于正常磨损的有限寿命消费性组件, 例如麦克风防风罩、耳机垫、装饰漆、电池和其他附件将不在保修范围之列。
- Jabra (GN Netcom)不对使用或滥用任何Jabra (GN Netcom)产品所产生的任何直接或间接损失承担责任。
- 该保修赋予您特定的权利, 您也可拥有因地区而异的其他权利。
- 除非在用户手册中另有说明, 否则用户不得在任何情况下对产品进行维修、调试或修理, 无论产品是否处于保修期内。必须将产品送交购买地点、工厂或经授权的服务机构进行全部上述工作。
- Jabra (GN Netcom) 将不会对发运过程中所产生的任何损失或损坏承担责任。任何由未经授权的第三方维修过的Jabra (GN Netcom) 产品, 其保修将自动失效。

## 13 证明和安全性认证

中国: 符合《中华人民共和国无线电管理条例》的规定。

大韩民国: 通过了无线电通信研究工作实验室总部 (信息与通信部) 认证, 符合信息与通信设备鉴定规则的规定。

台湾: 通过了电信总局 (运输与通信部) 批准。

新加坡: 通过了新加坡信息通讯发展署 (IDA) 批准, 可在新加坡销售和使用。

### FCC

此设备符合FCC规则第15部分的规定。设备使用应遵守下面两种条件:

(1)此设备不会产生有害干扰, 且(2)设备必须承受任何接收到的干扰, 包括可能引起设备工作不正常的干扰。

### CE

该产品贴有CE标志, 符合欧盟委员会的R & TTE Directive(99/5/EC)条款的规定。

### Bluetooth (蓝牙)

Bluetooth®标记和徽标由Bluetooth SIG, Inc.所有, GN Netcom在得到许可的情况下使用这些标志。其他商标和商业名称归各自所有者所有。

## 14 术语表

- 1 Bluetooth (蓝牙):** 是一种在短距离内 (大约30英尺) 不使用信号线或连接线而连接手机和耳机等设备的无线电技术。网站 [www.Bluetooth.dk](http://www.Bluetooth.dk) 中提供更多关于Bluetooth (蓝牙) 的信息。
- 2 Bluetooth (蓝牙) 应用规范:** 是Bluetooth (蓝牙) 设备与其他设备进行通讯的不同方法。Bluetooth (蓝牙) 手机支持耳机应用规范、免提应用规范, 或者两种应用规范均支持。要支持特定的应用规范, 手机制造商必须在手机的软件中加入特定的强制性功能。
- 3 配对 (Pairing):** 在两个Bluetooth (蓝牙) 设备之间建立具有唯一性的加密链路, 允许两个设备相互通讯。Bluetooth (蓝牙) 设备必须相互配对才能工作。
- 4 密码 (Passkey) 或个人识别码 (PIN):** 是您在手机上输入的代码, 作用是将手机与Jabra BT325s配对。如果手机已经与耳机配对, 手机和Jabra BT325s就会相互识别并自动配合工作。
- 5 待机 (Standby) 状态:** Jabra BT325s被动地等待来电的状态。在手机上“结束”通话后, 耳机即进入待机状态

## 日本語

|                               |    |
|-------------------------------|----|
| お客様各位.....                    | 38 |
| はじめに .....                    | 40 |
| 1. Jabra BT325sの充電.....       | 41 |
| 2. Jabra BT325s をオンにする .....  | 41 |
| 3. 携帯電話とのペアリング .....          | 41 |
| 4. Jabra BT325s の装着.....      | 42 |
| 5. スタンドアロン型音楽プレイヤーの音楽を聴く..... | 42 |
| 6. 使用方法.....                  | 42 |
| 7. Jabra ヘッドフォンの交換.....       | 44 |
| 8. ライトの意味.....                | 44 |
| 9. トラブルシューティングおよび FAQ.....    | 44 |
| 10. さらに詳しい説明が必要な場合 .....      | 45 |
| 11. Jabra BT325sの保管.....      | 46 |
| 12. 保証.....                   | 46 |
| 13. 認定規格および安全認可.....          | 47 |
| 14. 用語集.....                  | 48 |

## お客様各位

Jabra BT325s Bluetooth ヘッドセットをお買い上げいただきありがとうございます。当製品をお役立ていただければ幸いです。この取扱説明書では、Jabra ヘッドセットの活用方法を解説しています。ご使用前によくお読みください。

**！ 電話ではなく運転を最優先させることを忘れないでください！**

運転中に携帯電話を使用すると、注意が散漫になり事故の危険性が増大します。運転状況（悪天候、交通渋滞、子供を乗せている場合、難しい合流点や操作など）によって必要な場合は、道路脇に車を寄せて停車してから携帯電話を使用してください。また、会話は手短に済ませ、メモを取ったり書類を読んだりしないでください。

国によっては、  
運転中に両方の耳をこのヘッドセットでふさぐことが禁じている場合もあります。

常に、安全運転を心がけ、注意が散漫になるのを避け、現地の法律を遵守するようにしてください。

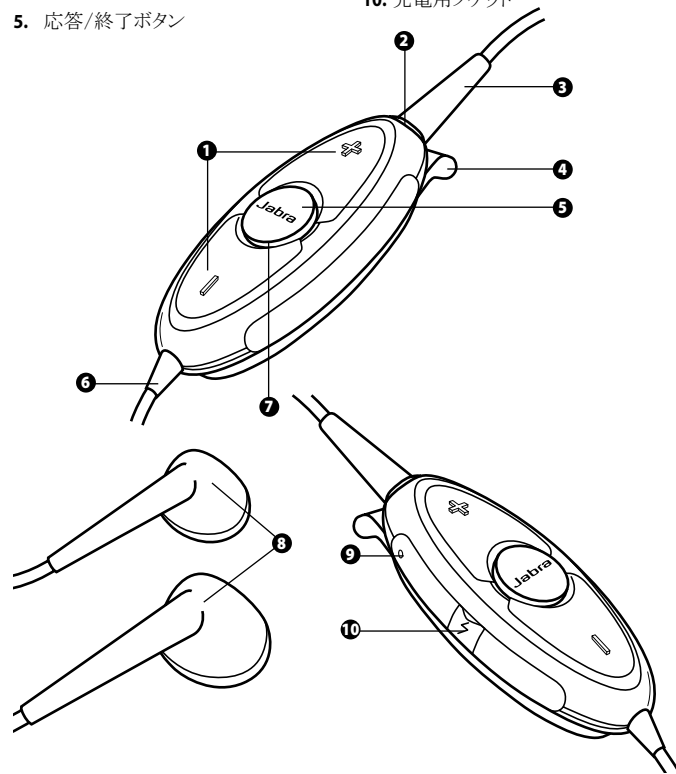
## 聴力保護のために

大きな音量での通話や音楽鑑賞は、聴力を損なう場合があります。Jabra ヘッドセットは常に、安全で控えめな音量でご使用ください。危険な音量での Jabra ヘッドセットのご使用により聴力が損なわれた場合、Jabra は責任を負いかねます。

同梱の Jabra モデル以外のヘッドフォン・セットをご使用中の場合、インピーダンスや感度の違いにより最大音量が変わる場合があります。従って、Jabra モデル以外のヘッドフォンをご使用の際は、特にご注意ください。

## Jabra BT325s製品の概要

1. ボリューム・アップ (+)、ボリューム・ダウン (-)
2. ヘッドフォン・ソケット
3. ヘッドフォン・コネクタ\* (取り外し可能)
4. 衣服着用用クリップ (ループ付)
5. 応答/終了ボタン
6. 外部音楽機器接続用 3.5mm ステレオジャック付固定コード
7. インジケータ・ライト
8. ステレオ・ヘッドフォン (交換可能)
9. マイク
10. 充電用ソケット



## ヘッドセットの新機能

Jabra BT325s では、スタンドアロンの音楽プレイヤーで再生される音楽を楽しみながら、Bluetooth 搭載携帯電話への着信を漏れなく受けることができます。

Jabra BT325s を Bluetooth ヘッドセットとして使用する場合、次の機能をすべて利用できます。

- ・最大 8 台の機器とペアリング
- ・通話応答
- ・通話終了
- ・着信拒否\*
- ・音声ダイヤル\*
- ・最後にかけた番号への再ダイヤル\*
- ・キヤッチホン機能\*
- ・保留機能\*

\* 対応機種のみ

Bluetooth 機器のボタンはすべて上記の機能用です。

仕様:

- ・連続通話時間最大 8 時間 / 待ち受け時間最大 240 時間
- ・充電式バッテリーおよび充電用 AC アダプタ付き
- ・重量 40g 未満 (Jabra 製ヘッドフォンを含む)
- ・動作範囲最大 10m (33 フィート)
- ・ハンズフリー (デフォルト) およびヘッドセット Bluetooth プロファイル
- ・Bluetooth 仕様 1.2 (用語集 P48 参照)
- ・IPx2 (BT325s は短時間の降雨に対し簡易防水)

BT325s は短時間の降雨に対し簡易防水されていますが完全防水ではありません。水中に入れてください。機器が濡れた場合は、水滴をよく拭き取って損傷を防いでください。

## はじめに

Jabra BT325s の操作は簡単です。ボタンはすべて携帯電話での通話用で、押し続けている時間によって機能が異なります。

| 指示:      | 出版物の持続期間  |
|----------|-----------|
| 蛇口:      | 簡潔に出版物    |
| 出版物:     | およそ。1 第 2 |
| 出版物及び把握: | およそ。5 秒   |

## 1 Jabra BT325sの充電

Jabra BT325s をご使用になる前に充電してください。製品に同梱の充電器のみご使用ください — 他機器用の充電器を使用すると Jabra BT325s が故障する場合があります。

図 2 のように BT325s を AC 電源に接続し、パワーソケットから充電してください。インジケータ・ライトが赤く点灯している場合は充電中です。ライトが緑に変わった時点で、充電が完了です。

## 2 Jabra BT325s をオンにする

BT325s の応答/終了ボタンを押すとヘッドセットの電源が入ります - ヘッドセットがオンになったら LED インジケータが 4 回点滅します。ヘッドセットをオフにするには、応答/終了ボタンをしばらく押したままにします。

BT325s は、オフになっている場合でもスタンドアロン型音楽プレイヤーで音楽を再生できます。

## 3 携帯電話とのペアリング

Jabra BT325s を携帯電話と組み合わせてご使用いただく前に、ペアリングを行ってください。

1. BT325s をペアリング・モードにする:  
ヘッドセットがオフになっていることを確認してください。青いインジケータ・ライトが点灯するまで応答/終了ボタンを押したままにしてください。
2. 携帯電話が Jabra BT325s を探索するように設定する  
ご使用の携帯電話の取扱説明書にあるガイドに従ってください。通常は、ご使用の電話の「セットアップ」、「接続」または「Bluetooth」メニューに移動し、Bluetooth デバイスを「探索」または「追加」するオプションを選択します。(図 3 で示している標準的な携帯電話の例を参照してください)
3. 携帯電話による Jabra BT325s の探索  
携帯電話にペアリングを希望するかどうかを尋ねるメッセージが表示されるので、「Yes」または「OK」を使用してこれを受け入れ、バスキーあるいは PIN = 0000 (4 つのゼロ) で承認します。

ペアリングが完了すると、携帯電話に確認のメッセージが表示されます。ペアリングがうまくいかなかった場合は、ステップ 1~3 を繰り返します。

## 4 Jabra BT325s の装着

Jabra BT325s は、衣服装着用クリップやループを使用して快適に装着できるようになっています(ループ別売)。マイクは機器の左上に組み込まれています(図 3. A のように BT325s を見た場合)。メイン機器を装着する際にはこれを考慮し、発話音声も明瞭に拾えるようにしてください。(図 3. B 参照)

## 5 スタンドアロン型音楽プレイヤーの音楽を聴く

Jabra BT325s は、スタンドアロン型の音楽プレイヤーと一緒にご利用いただくと、その機能を十分に活用することができます。標準 3.5mm ステレオコネクタを搭載する MP3 プレイヤーやポータブル・メディア・センターなどの外部音楽機器をご使用いただけます。

Jabra BT325s を音楽プレイヤーと組み合わせて使用するには、3.5mm ジャックを音楽プレイヤーのヘッドフォン・ソケットに差し込みます。これでお気に入りの音楽を楽しみながら、Bluetooth 搭載携帯電話への着信を漏れなく受けることができます。

BT325s のコントロール機能は、あくまでも携帯電話の通話用です。スタート/停止、早送り/巻き戻し、音量など音楽に関する調整は、音楽プレイヤー側で行ってください。

Jabra BT325s は、ほとんどのスタンドアロン型音楽プレイヤーと互換性があります。

## 6 使用方法

### 音楽を聴く

3.5mm 固定コードをスタンドアロン型音楽プレイヤーに差し込みます。音楽を聴くのに BT325s をオンにする必要はありません。

ヘッドフォンのプラグを外して通常のヘッドフォンのように音楽プレイヤーに直接差し込むこともできます。

### 通話の応答

着信音が鳴った時点で通話に応答するには、BT325s にある応答/終了ボタンを軽く押します。通話に応答すると、音楽は自動的に聴こえなくなります。

### 通話の終了

現在の通話を終了するには、応答/終了ボタンを軽く押します。通話が終了すると、音楽は自動的に再生されます。

### 着信拒否\*

着信を拒否するには、着信音が鳴ったときに応答/終了ボタンを押します。ご使用の携帯電話の設定により、留守番電話サービスまたは「話中」になります。

### 電話をかける\*

携帯電話から電話をかけると、つながった時点で音楽が聴こえなくなり、通話は自動的に BT325s に転送されます(携帯電話側の設定によります)。

### 音声ダイヤルを有効にする\*

応答/終了ボタンを軽く押して、名前を発話します。最良の結果を得るには、BT325s を装着した状態で音声ダイヤル・タグを記録します。この機能の使用に関して詳しくは、ご使用の携帯電話のユーザー・マニュアルを参照してください。

### 最後にかけた番号への再ダイヤル\*

応答/終了ボタンを押します。

### キャッチホンおよび通話の保留\*

通話中に電話をかけたり応答することができます。

- ・アクティブな通話を保留して別の電話にでるには、応答/終了ボタンを押します。
- ・通話を切り替えるには、応答/終了ボタンを押します。
- ・現在の通話を終了するには、応答/終了ボタンを軽く押します。

### 音質および音量の調整

音量を調整するには、ボリューム・アップまたはボリューム・ダウン(+ または -) を押します。(図 1 参照)

\* 対応機種のみ



## 7 Jabra ヘッドフォンの交換

同梱の Jabra ヘッドフォンをお気に入りのヘッドフォンと交換するには、ヘッドフォンジャックを Jabra BT325s のヘッドフォン・ソケットに差し込みます。

同梱の Jabra モデル以外のヘッドフォン・セットをご使用中の場合は、インピーダンスや感度の違いにより、最大音量が変わる場合があります。最適な状態でご使用いただくには、インピーダンス・レベル 16 Ω をお奨めします。但し、Jabra モデル以外のヘッドフォンをご使用の際は、特にご注意ください。

## 8 ライトの意味

| ライト   | 意味                |
|-------|-------------------|
| 点滅青色光 | 毎秒点滅: 通話中         |
| 点滅青色光 | 3秒毎に点滅: 待受モード     |
| 点滅赤色光 | バッテリー容量低下         |
| 点灯赤色光 | 充電中               |
| 点灯緑色光 | 充電完了              |
| 点灯青色光 | ペアリングモード - 3 章を参照 |

## 9 トラブルシューティングおよび FAQ

### カラカラという音がする

Bluetooth は無線技術を使用しているため、ヘッドセットと接続先の機器との間にある障害物には敏感です。間に大きな障害物 (壁など) がいない場合、ヘッドセットと接続先機器とは約 10 メートル (33 フィート) の距離を置くことができます。

### ヘッドセットから通話が聞こえない

BT325s のボリュームを上げてみてください。

ヘッドセットと電話のペアリングが正しいか確認してください。

電話メニューで、あるいは BT325s の応答/終了ボタンを軽く押すことにより、電話がヘッドセットに接続されていることを確認します。

### ペアリングがうまくいかない

お使いの携帯電話でペアリング接続を削除してしまった可能性があります — セクション 3 のペアリング指示に従ってください。

### 着信拒否、保留、リダイヤルまたは音声ダイヤル機能が使えない

これらの機能はお使いの電話の機種が Bluetooth ハンズフリーに対応している場合にのみ使用できます。詳しくは携帯電話のマニュアルを参照してください。

### ヘッドセットから音楽が聞こえない

音楽プレーヤーのボリュームを上げてみてください。

ヘッドフォンが BT325s に適切に接続されていることを確認します。

BT325s が音楽プレーヤーの 3.5 mm ポートに接続されていることを確認します。BT325s が充電されていることを確認します (オンになっている必要はありませんが、充電されている必要があります)。

BT325s がバッテリー切れで充電できない場合、ヘッドフォンを音楽プレーヤーに直接接続することもできます。

BT325s のボリューム調整で音楽のボリュームを調整できない  
ボリューム調整と応答/終了ボタンは、通話機能専用です。

### 通話中は音楽を一時停止したい

通話中も音楽の再生が続きます。一時停止したい場合は、音楽プレーヤーの一時停止/停止ボタンを使用してください。

## 10 さらに詳しい説明が必要な場合

1. ウェブサイト: [www.jabra.com](http://www.jabra.com) (最新のサポート情報、オンラインユーザーマニュアル)

2. お問い合わせ (月曜～金曜)

通話料金無料 国際フリーダイヤルお問い合わせ番号:

|           |                  |                 |
|-----------|------------------|-----------------|
| オーストラリア:  | 1-800-083-140    | (10:00 – 19:00) |
| 中国:       | 800-858-0789     | (8:00 – 19:00)  |
| 香港:       | 800-968-265      | (8:00 – 17:00)  |
| インドネシア:   | 001-803-852-7664 | (8:00 – 17:00)  |
| 日本:       | 0034-800-400-594 | (9:00 – 18:00)  |
| マレーシア:    | 1800-812-160     | (8:00 – 17:00)  |
| ニュージーランド: | 0800-447-982     | (12:00 – 21:00) |
| シンガポール:   | 800-860-0019     | (8:00 – 17:00)  |
| 台湾:       | 0080-186-3013    | (8:00 – 19:00)  |
| インド:      | 000-800-852-1185 | (05:30 – 14:30) |
| フィリピン:    | 1800 765 8068    | (08:00 – 17:00) |

## 11 Jabra BT325sの保管

- ・ Jabra BT325sを保管する際は、必ず電源を切り安全な状態で保管して下さい。
- ・ 直射日光が当たるなどの極端な高温(45°C/113°F以上)、または極端な低温(氷点下10°C/14°F以下)になる場所での保管は避けて下さい。バッテリーの寿命を縮め、製品の性能に悪影響を及ぼす恐れがあります。高温それ自体も製品に悪影響を及ぼします。
- ・ 水または液体により機器が濡れた場合は、水滴をよく拭き取ってください。

## 12 保証

Jabra(GN Netcom)は本製品の購入日より1年間、材質品質および製造上のあらゆる欠陥に対して本製品を保証いたします。保証条件および保証に関する弊社の責任限度は以下の通りです。

- ・ 保証は、当初購入者にのみ与えられます。
- ・ レシートなど購入を証明するものが必要です。購入を証明するものが無い場合には、製品ラベルに記載の製造年月日を保証開始日とします。
- ・ 製品のシリアルナンバー、日付コードラベル、製品ラベルがない場合、または製品に外的衝撃が加えられたり、不適切な取り付け、改造、認可のない第三者による修理が行われたりしている場合、保証は無効となります。
- ・ Jabra(GN Netcom)製品に関する弊社の責任は、弊社独自の判断による本製品の修理または交換に限定されるものとします。
- ・ Jabra(GN Netcom)製品に対するすべての黙示保証は、コードやコネクタを含む全ての製品の購入日より1年間に限り有効です。
- ・ マイクの前面窓、イヤクション、装飾、バッテリー、その他の付属品など、製品寿命が限られている消耗部品については、保証対象外となります。
- ・ Jabra(GN Netcom)製品を使用または誤使用することによって偶発的あるいは必然的に発生した損害に対してJabra(GN Netcom)は一切責任を負いません。
- ・ この保証は、本製品購入者に特定の権利を与えるものですが、国や地域によって異なる権利が与えられる場合があります。
- ・ 本ユーザーマニュアルに指示されている場合を除いて、保証の有無に関わらず、ユーザーはいかなる場合でも本製品の保守、調整、修理を試みることは一切認められていません。これらの作業を行う場合は、必ず購入先、メーカー、当社が指定したサービス業者にご依頼ください。
- ・ 製品の発送中に発生した損傷については、Jabra (GN Netcom)は一切責任を負いません。認可のない第三者によってJabra (GN Netcom)製品の修理が行われた場合、保証は一切無効となります。

## 13 認定規格および安全認可

### 中国

中国における無線規制の条項に従います。

### 大韓民国

情報通信部電波研究所長による情報通信機器認証規制の条項の下、認証されています。

### 台湾

交通部電信総局により認可されています。

### シンガポール

シンガポール情報通信開発庁 (IDA) により認可されています。

### FCC

本製品はFCC規則パート15に準拠しています。操作の際は下記の2つの条件に従ってください。(1)本装置は、有害な電波障害を発生してはいけません。(2)本装置は、望ましくない動作を発生させる恐れのある電波障害を含め、受信されるいかなる電波障害も受け入れなければなりません。

### CE

本製品は無線機器および電気通信端末機器 (R&TTE) 指令 (99/5/EC) の規定に従ってCE マークを取得しています。

### 日本

TELEC (電波法38条の24第2項の規定に基づく認証) 取得済みです。

### Bluetooth

Bluetooth®はBluetooth SIG, INC.の商標であり、JABRAはライセンス契約のもとにこれを使用しています。他の商標、商標名は各権利者に帰属します。

- 1 Bluetoothは、携帯電話機とヘッドセットのような機器間を10メートル(約30フィート)の近距離内において、ワイヤやコードを使わずに接続するために開発された無線技術です。詳しくは、<http://japanese.bluetooth.com> をご参照下さい。
- 2 Bluetoothプロファイルは、Bluetooth対応機器が他の機器と通信するためのプロトコルです。Bluetooth対応電話機はほとんどがヘッドセットプロファイルをサポートに対応していますが、ハンズフリープロファイル対応のものや、これら両方をサポートしているものもあります。特定のプロファイルをサポートするには、携帯電話機メーカーによって、携帯電話機のソフトウェアに特定の必須機能を実装する必要があります。
- 3 ペ어링とは、2台のBluetooth機能搭載機器間において、固有の暗号化されたリンクを確立し、相互の通信を可能にすることを指します。Bluetooth対応機器は、相互にペ어링しなければ機能しません。
- 4 パスキーまたはPINとは、携帯電話機をJabra BT325sとペ어링するために電話に入力するシークレットコードです。お手持ちの携帯電話機をヘッドセットとすでにペ어링している場合、携帯電話機とJabra BT325sは相互に認識し、検出、認証のプロセスを再度行わなくても、自動的に通信が行えます。
- 5 待受モードとは、Jabra BT325sが着信待ちの状態です。携帯電話機で通話電話を‘切る終了’すると、ヘッドセットは待受モードに入ります。

## 한국어

|                               |    |
|-------------------------------|----|
| 감사합니다 .....                   | 50 |
| 시작하기 .....                    | 52 |
| 1. Jabra BT325s 충전 .....      | 53 |
| 2. Jabra BT325s 켜기 .....      | 53 |
| 3. 휴대폰과 페어링 .....             | 53 |
| 4. Jabra BT325s 착용 .....      | 54 |
| 5. 독립형 음악 재생 장치에서 음악 듣기 ..... | 54 |
| 6. 사용 방법 .....                | 54 |
| 7. Jabra 헤드폰 교환 .....         | 56 |
| 8. 디스플레이 등 .....              | 56 |
| 9. 문제 해결 및 자주 묻는 질문 .....     | 56 |
| 10. 더 도움이 필요하신지요? .....       | 57 |
| 11. 헤드셋 보관 .....              | 58 |
| 12. 품질 보증 .....               | 58 |
| 13. 인증 및 안전 승인 .....          | 59 |
| 14. 용어설명 .....                | 60 |

**감사합니다.**

Jabra BT325s Bluetooth 헤드셋을 이용해 주셔서 감사합니다. 모쪼록 즐겁게 이용하시길 바랍니다. 이 사용자 안내서는 Jabra 헤드셋을 백분 활용할 수 있도록 사용 방법을 안내합니다.

**! 항상 통화보다는 운전을 우선시 해야 합니다!**

운전 중에 휴대 전화를 이용하면 운전 집중력이 저하되어 사고의 위험이 있습니다. 폭우가 내릴 때, 교통량이 많을 때, 차량에 어린이가 있을 때, 도로 조건이 나쁠 때 등 운전 조건이 나쁠 경우에는 통화를 하기 전에 먼저 차량을 도로 한쪽에 주차하도록 하십시오. 또한 통화는 가급적 간단히 하도록 하고 메모를 하거나 책자를 읽거나 하지 마십시오.

일부 국가에서는 운전 중 양쪽 귀에 헤드셋을 착용하는 것이 허용되지 않을 수 있습니다.

항상 안전하게 운전하고, 운전 집중하고, 도로교통법을 준수하십시오.

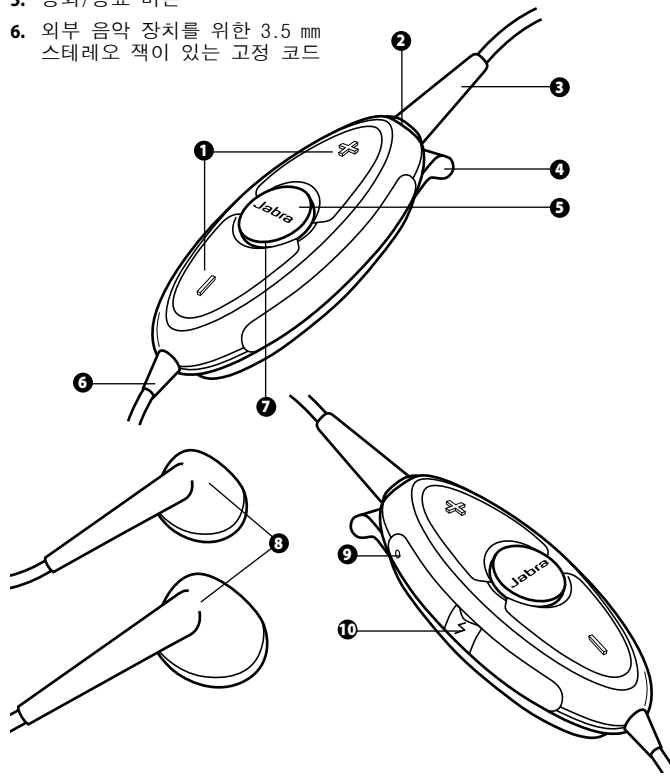
**청력 보호!**

볼륨을 크게 높여 통화를 하거나 음악을 들으면 청력이 손상될 수 있습니다. 가급적이면 낮고 안전한 볼륨으로 Jabra 헤드셋을 이용하십시오. Jabra는 지나치게 높은 볼륨으로 Jabra 헤드셋을 사용함으로써 발생할 수 있는 청력 손상에 대해 책임을 지지 않습니다.

제공된 Jabra 모델 이외에 헤드폰 세트를 사용하면 임피던스와 민감도에서의 차이가 최대 볼륨 출력 레벨을 제한하거나 증가시킬 수 있습니다. 따라서 항상 정품 Jabra 모델이 아닌 헤드폰을 사용할 때는 각별히 주의하십시오.

**Jabra BT325s 개요**

- |   |                    |
|---|--------------------|
| 1. 볼륨 높이기(+)<br>볼륨 낮추기(-)               | 7. 표시등             |
| 2. 헤드폰 소켓                               | 8. 스테레오 헤드폰(교체 가능) |
| 3. 헤드폰 커넥터(탈부착 가능)                      | 9. 마이크             |
| 4. 옷 고정 클립 또는 다용도고리                     | 10. 충전 소켓          |
| 5. 통화/종료 버튼                             |                    |
| 6. 외부 음악 장치를 위한 3.5 mm 스테레오 잭이 있는 고정 코드 |                    |



## 새 헤드셋의 기능

Jabra BT325s 헤드셋은 Bluetooth 지원 휴대폰을 통해 통화가 가능함을 물론 독립형 음악 재생 장치에서 음악을 감상할 수 있습니다.

Jabra BT325s는 Bluetooth 헤드셋으로 기능할 때 다음이 가능합니다.

- 최대 8개의 장치와 페어링
- 통화 응답
- 통화 종료
- 통화 거부\*
- 음성 다이얼\*
- 마지막 번호 재다이얼\*
- 통화 대기\*
- 통화 보류\*

\* 휴대폰 모델에 따라 다름

Bluetooth 장치의 모든 버튼은 위의 기능을 제어하기 위한 것입니다.

사양:

- 통화시간 8 시간/대기시간 240 시간
- AC 전원에서 충전할 수 있는 충전식 배터리
- 중량: 40그램 미만(정품 Jabra 헤드폰 포함)
- 작동 거리: 최대 10미터(33피트)
- 핸드프리(기분) 및 헤드셋 Bluetooth 프로파일
- Bluetooth 사양 1.2 (60페이지의 용어 설명 참조)
- IPx2(BT325s는 생활방수 기능이 있습니다)

BT325s는 생활방수가 가능하지만 물에 담그거나 해선 안됩니다. 장치가 젖은 경우 물기를 깨끗이 닦아 잠재적인 손상을 방지하십시오

## 시작하기

| 조작지시:       | 버튼을 누르는 시간 이: |
|-------------|---------------|
| 가볍게 누릅니다:   | 짧게 한번 누릅니다    |
| 누릅니다:       | 약 1초간 누릅니다    |
| 누른 채로 있습니다: | 약 5 초간 누릅니다   |

## 1 Jabra BT325s 충전

사용하기 전에 Jabra BT325s를 완전히 충전하십시오. 제품 상자에 들어 있는 충전기만 사용하십시오. 다른 충전기를 사용하면 Jabra BT325s 헤드셋이 손상될 수 있습니다.

그림 2처럼 BT325s를 AC 전원에는 연결하여 전원 소켓에서 충전하십시오. 표시등이 빨간색으로 점등되면 헤드셋이 충전되고 있음을 나타냅니다. 녹색으로 바뀌면 헤드셋이 완전히 충전된 것입니다.

## 2 Jabra BT325s 켜기

BT325s의 통화/종료 버튼을 짧게 누릅니다. 그러면 장치의 LED 표시등이 네 번 깜박입니다. 통화/종료 버튼을 길게 누르면 헤드셋이 꺼집니다.

BT325s가 꺼져 있더라도 BT325s는 독립형 음악 재생 장치에서 음악을 재생할 수 있습니다.

## 3 휴대폰과 페어링

휴대폰과 함께 Jabra BT325s를 사용하기 전에 먼저 페어링시켜야 합니다.

1. BT325s를 페어링 모드로 전환합니다.  
헤드셋을 끕니다.  
표시등이 파란색이 될 때까지 통화/종료 버튼을 길게 누릅니다.
2. 휴대폰을 설정하여 Jabra BT325s를 "감지"하게 합니다.  
휴대폰의 사용설명서에 따라 조작합니다. 대개의 경우 휴대폰의 '설정', '연결' 또는 'Bluetooth' 메뉴로 이동하여 Bluetooth 장치를 검색하거나 추가하는 옵션을 선택하면 됩니다. (그림 3에 나오는 일반 휴대폰의 예 참조)
3. 휴대폰에서 Jabra BT325s를 감지할 것입니다.  
헤드셋과 페어링할 것인지 여부를 묻는 메시지가 휴대폰에 표시되면 '예' 또는 '확인'을 눌러 허용하고 패스키 또는 PIN = 0000(4개의 0)으로 승인합니다.

페어링이 완료되면 확인 메시지가 휴대폰에 표시됩니다. 페어링에 실패하는 경우 단계 1 - 3을 반복하십시오.

## 4 Jabra BT325s 착용

Jabra BT325s는 옷 고정 클립이나 다용도고리(미포함)를 통해 쉽게 착용할 수 있도록 디자인되었습니다. 마이크는 장치의 왼쪽 상단에 내장되어 있습니다(그림 3. A 에 나온 것처럼 BT325s를 보았을 때). 본체를 착용할 때 이점을 고려하여 음성을 깨끗하게 인식할 수 있도록 하십시오. (그림 3. B 참조)

## 5 독립형 음악 재생 장치에서 음악 듣기

Jabra BT325s는 독립형 음악 재생 장치와 연동하여 사용될 때 최대 잠재치를 인식합니다. 이에 해당하는 장치로는 표준 3.5mm 스테레오 커넥터가 있는 MP3 플레이어, 휴대용 미디어 센터, 기타 외부 음악 장치가 있습니다.

음악 재생 장치와 함께 Jabra BT325s를 사용하려면 3.5 mm 잭을 음악 재생 장치의 헤드폰 소켓에 꽂습니다. 이렇게 하면 Bluetooth 지원 휴대폰을 통해 통화가 가능함은 물론 음악도 감상할 수 있습니다.

BT325s의 모든 제어 버튼은 휴대폰 통화를 제어하기 위한 것입니다. 음악을 제어(예: 시작/정지, 앞으로/뒤로 트랙 이동, 볼륨 조정 등)하는 것은 음악 재생 장치에서 합니다.

Jabra BT325s는 대부분의 독립형 음악 재생 장치와 호환됩니다.

## 6 사용 방법...

**음악 듣기**  
3.5mm 고정 코드를 독립형 음악 재생 장치에 꽂습니다. 음악을 듣기 위해 BT325s를 켜 필요가 없습니다.  
또한 헤드폰을 뺐고 일반 헤드폰처럼 음악 재생 장치에 직접 꽂을 수도 있습니다.

**통화 응답**  
통화에 응답하려면 전화벨이 울리는 동안 BT325s의 통화/종료 버튼을 가볍게 누릅니다. 전화가 걸려오면 음악 소리가 자동으로 줄어듭니다.

**통화 종료**  
통화를 끊으려면 통화/종료 버튼을 가볍게 누릅니다. 통화가 끝나면 자동으로 음악이 계속됩니다.

**통화 거부\***  
걸려오는 통화를 거부하려면 전화벨이 울리는 동안 통화/종료 버튼을 누릅니다. 휴대폰 설정에 따라 음성 메일로 전달되거나 통화 중 신호가 발신됩니다.

**전화 걸기\***  
휴대폰에서 전화를 걸 경우 음악 소리가 들리지 않게 되어 연결되면 해당 통화가 자동으로(휴대폰 설정에 따라 다름) BT325s로 이전됩니다.

**음성 다이얼\***  
통화/종료 버튼을 가볍게 누르고 이름을 말합니다. 음성 다이얼 기능을 백분 활용하려면 BT325s를 착용한 상태에서 음성 다이얼로 전화를 걸 수신자 이름을 기록하십시오. 이 기능의 사용에 대한 자세한 내용은 휴대폰의 사용 설명서를 참조하십시오.

**마지막 번호 재다이얼\***  
통화/종료 버튼을 누릅니다.

**통화 대기 및 통화 보류\***  
이 기능을 사용하면 현재의 통화를 보류시키고 걸려온 통화를 수신할 수 있습니다.  
• 현재 통화를 보류시키고 걸려온 통화를 받으려면 통화/종료 버튼을 한번 누릅니다.  
• 두 통화 사이를 전환하려면 통화/종료 버튼을 누릅니다.  
• 현재의 통화를 끊으려면 통화/종료 버튼을 가볍게 누릅니다.

**소리 및 볼륨 조정**  
볼륨을 조정하려면 볼륨 높이기 또는 낮추기(+ 또는 -)를 누릅니다. (그림 1 참조)

\* 휴대폰 모델에 따라 다름

## 7 Jabra 헤드폰 교환

제공된 Jabra 헤드폰을 사용자의 헤드폰 세트와 교환하려면 사용자의 헤드폰 잭을 Jabra BT325s의 헤드폰 소켓에 꽂습니다.

제공된 Jabra 모델 이외에 헤드폰 세트를 사용하면 임피던스와 민감도에서의 차이가 최대 볼륨 출력 레벨을 제한하거나 증가시킬 수 있습니다. 최적의 성능을 위해 16 Ohm의 임피던스 레벨을 권장합니다. 그러나 정품 Jabra 모델이 아닌 헤드폰을 사용할 때는 각별한 주의가 필요합니다.

## 8 디스플레이 등

| 지시등의 상태             | 헤드셋에 대한 의미            |
|---------------------|-----------------------|
| 파란 불이 깜박일 때         | 매초 1회 깜박이면: 통화 중입니다   |
| 파란 불이 깜박일 때         | 매 3초 1회 깜박이면: 대기모드입니다 |
| 빨간 불이 깜박일 때         | 배터리가 부족합니다            |
| 빨간 불이 지속적으로 켜져 있을 때 | 충전 중입니다               |
| 녹색 불이 지속적으로 켜져 있을 때 | 충전이 완료되었습니다           |
| 파란 불이 지속적으로 켜져 있을 때 | 짜 이루기 모드입니다 - 3 항 참조  |

## 9 문제 해결 및 자주 묻는 질문

**탁탁 소리가 날 경우**

Bluetooth는 무선 기술이므로 헤드셋과 연결된 장치 사이에 존재하는 물체에 민감합니다. 중간에 큰 물체(벽 등)가 없는 경우 헤드셋과 연결된 장치 사이의 거리는 약 10미터(33피트)를 초과하지 않아야 합니다.

**헤드셋에서 휴대폰 통화가 들리지 않는 경우**

BT325s의 볼륨을 높입니다.

헤드셋이 휴대폰과 페어링되었는지 확인합니다.

휴대폰 메뉴에서 또는 BT325s의 통화/종료 버튼을 가볍게 눌러 휴대폰이 헤드셋에 연결되어 있는지 확인합니다.

**페어링 문제가 있는 경우**

휴대폰에서 페어링 연결을 삭제했을 수 있습니다. 섹션 3의 페어링 설명을 따라 다시 페어링하십시오.

**통화 거부, 통화 보류, 재다이얼, 음성 다이얼 기능이 작동되지 않는 경우**

이들 기능의 사용 여부는 휴대폰이 해당 기능을 지원하는지 여부에 달려 있으므로 자세한 내용은 휴대폰 설명서를 참조하십시오.

**헤드셋에서 음악이 들리지 않는 경우**

음악 재생 장치의 볼륨을 높입니다.

헤드셋이 BT325s에 제대로 연결되었는지 확인합니다.

BT325s가 음악 재생 장치의 3.5 mm 포트에 연결되었는지 확인합니다.

BT325s가 충전되었는지 확인합니다(결 필요는 없지만 충전은 되어야 함)

BT325s의 배터리가 완전히 방전되거나 충전할 수 없는 경우 헤드폰을 음악 재생 장치에 바로 연결할 수 있습니다.

**BT325s의 볼륨 조절 장치로 음악 볼륨을 조절할 수 없는 경우**

볼륨 조절 장치 및 통화/종료 버튼은 휴대폰 통화 제어용으로만 사용됩니다.

**통화 중일 때 음악을 일시 중지하려는 경우**

휴대폰 통화 중일 때에도 음악은 계속 재생됩니다. 이때 음악이 일시 중지되도록 하려면 음악 재생 장치의 일시 정지/멈춤 버튼을 누르십시오.

## 10 더 도움이 필요하신지요?

1. 웹 주소: [www.jabra.com](http://www.jabra.com) (최신 기술지원과 온라인 유저매뉴얼 제공)

2. 월요일부터 금요일까지 무료전화를 이용하실 수 있습니다.

무료전화번호:

|        |                  |                 |
|--------|------------------|-----------------|
| 호주:    | 1-800-083-140    | (10:00 - 19:00) |
| 중국:    | 800-858-0789     | (08:00 - 19:00) |
| 홍콩:    | 800-968-265      | (08:00 - 17:00) |
| 인도네시아: | 001-803-852-7664 | (08:00 - 17:00) |
| 일본:    | 0034-800-400-594 | (09:00 - 18:00) |
| 말레이시아: | 1800-812-160     | (08:00 - 17:00) |
| 뉴질랜드:  | 0800-447-982     | (12:00 - 21:00) |
| 싱가폴:   | 800-860-0019     | (08:00 - 17:00) |
| 대만:    | 0080-186-3013    | (08:00 - 19:00) |
| 인도:    | 000-800-852-1185 | (05:30 - 14:30) |
| 필리핀:   | 1800 765 8068    | (08:00 - 17:00) |

## 11 헤드셋 보관

- Jabra BT325s 은 항상 전원을 끄고 안전한 상태로 보관하십시오.
- 뜨거운 차 안이나 직사광선과 같은 - 높은 온도(60° C / 134° F 이상)에서 보관을 피하십시오 (고온에 보관하면 성능이 저하되고 배터리 수명이 짧아집니다).
- 물이나 기타 액체가 묻은 경우 장치에서 물기를 완전히 닦아내십시오.

## 12 품질 보증

Jabra (GN Netcom)는 이 제품의 원 구매 일로부터 1년 동안 부품이나 제조상의 모든 결함에 대하여 보증합니다. 이 보증의 조건과 보증하의 당사 책임사항은 다음과 같습니다.

- 품질 보증은 원 구매자에게만 제한됩니다.
- 영수증 사본이나 다른 구매 증거가 필요합니다. 구매 증거가 없으면 품질 보증은 제품에 부착된 제조 일자부터 시작되는 것으로 간주됩니다.
- 일련번호, 날짜 코드 레이블 또는 제품 레이블이 제거되거나 제품이 못 사용되었거나, 부적절한 설치, 변경 또는 승인되지 않은 제3자의 수리로 인한 결함의 경우에는 품질보증은 무효가 됩니다.
- Jabra (GN Netcom) 제품에 대한 책임은 당사의 재량에 따른 제품의 수리또는 교체로 제한됩니다.
- Jabra (GN Netcom) 제품에 관한 어떠한 묵시적인 보증도 코드나 커넥터를 모두 포함한 모든 부품에 대해 구매일로부터 1년 동안으로 제한합니다.
- 마이크 바람막이, 귀 쿠션, 장식 마감재, 배터리 및 기타 액세서리 등 일반적으로 닳거나 찢어질 수 있는 제한된 수명의 소비용품은 보증에서 제외됩니다.
- Jabra (GN Netcom)은 어떠한 Jabra (GN Netcom) 제품의 사용상의 잘못에 따른 사고나 부수적인 손상에 대해 책임지지 않습니다.
- 이 품질 보증은 사용자에게 특정 권한을 제공하며 지역마다 다른 권리를 가질 수 있습니다.
- 사용 설명서에 별도로 지시되지 않은 한, 사용자는 어떠한 상황에서도 품질 보증에 속하는지 여부에 관계없이 이 장치의 서비스, 조정 또는 수리를 시도해서는 안됩니다. 반드시 구매 지점, 공장 또는 이러한 작업을 허가 받은 서비스 기관으로 반품해야 합니다.
- Jabra (GN Netcom)는 배송 중 발생하는 분실이나 손상에 대해서는 책임지지 않습니다. 승인되지 않은 제3자가 Jabra (GN Netcom) 제품을 수리하면 품질 보증이 무효가 됩니다.

## 13 인증 및 안전 승인

중국:  
Radio Regulations의 규정을 준수함

한국:  
정보통신부 전파 연구소의 정보통신기기 인증 규정에 따라 인증됨

대만:  
The Directorate General Telecommunications (Ministry of Transportation and Communication) 의 승인 획득

싱가포르:  
싱가포르 국내 판매 및 사용에 관한 Infocomm Development Authority (IDA) 의 승인 획득

FCC  
이 장치는 FCC Rules의 제15조를 준수합니다. 이 제품은 다음 두 조건에서 사용해야 합니다. (1) 이 장치는 유해한 간섭을 초래하지 않아야 합니다. (2) 이 장치는 원치 않은 작동에 초래할 수 있는 간섭을 포함하여 수신된 간섭을 승인해야 합니다.

CE  
이 제품은 R&TTE Directive(99/5/EC)의 조항에 따라 CE표시가 되어 있습니다.

블루투스  
블루투스® 단어표시 및 로고는 Bluetooth SIG, Inc의 소유이며 GN Netcom에서는 라이선스 하에서 이러한 표시를 사용하고 있습니다. 다른 상표나 제품 이름은 해당 소유주의 자산입니다.





## Terima kasih

Terima kasih kerana membeli set kepala Bluetooth Jabra BT325s. Kami harap anda menyukainya.

Panduan pengguna ini akan membantu anda untuk bermula dan bersedia untuk memaksimumkan penggunaan set kepala Jabra anda.

## ! Ingatlah, dahulukan memandu, bukan panggilan!

Menggunakan telefon bimbit ketika memandu boleh mengganggu perhatian anda dan meningkatkan kemungkinan berlakunya kemalangan. Jika keadaan memandu amat mendesak (seperti cuaca buruk, kesesakan lalu lintas, kehadiran kanak-kanak di dalam kereta, keadaan jalan raya yang sukar), hentikan kereta di bahagian tepi jalan sebelum membuat atau menjawab panggilan. Selain itu, cuba pendekkan perbualan dan jangan ambil nota atau membaca dokumen.

**Penggunaan set kepala ini dengan kedua-dua belah telinga tertutup semasa memandu mungkin tidak dibenarkan di sesetengah negara.**

**Ingat: Sentiasa memandu dengan selamat, elakkan gangguan dan patuhi undang-undang di mana anda berada.**

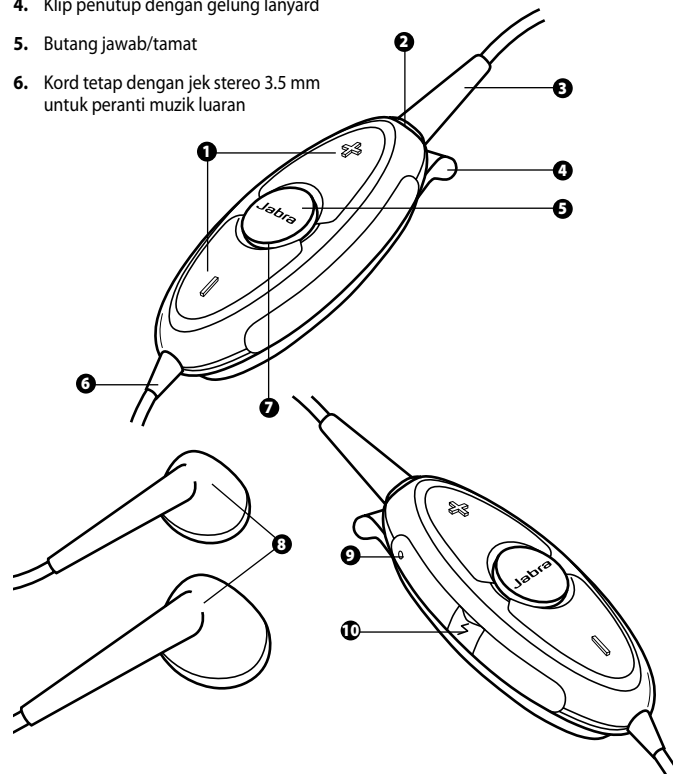
## Lindungi pendengaran anda!

Membuat panggilan atau mendengar muzik dengan tahap kelantangan yang tinggi boleh menjejaskan pendengaran anda. Sila sentiasa gunakan set kepala Jabra anda pada tahap kelantangan yang rendah dan selamat. Jabra tidak bertanggungjawab terhadap kerosakan pendengaran yang disebabkan oleh penggunaan set kepala Jabra anda pada tahap kelantangan yang tidak selamat.

**Jika menggunakan set fon kepala selain daripada model Jabra yang dibekalkan, sila ambil perhatian bahawa perbezaan impedans dan kepekaan mungkin menghadkan atau menambah tahap keluaran kelantangan maksimum. Oleh itu, sentiasa amalkan langkah beringat apabila menggunakan fon kepala selain daripada model Jabra yang asli.**

## Perihalan Jabra BT325s anda

1. Tambahkan kelantangan (+)  
Kurangkan kelantangan (-)
2. Soket fon kepala
3. Penyambung fon kepala (boleh ditanggalkan)
4. Klip penutup dengan gelung lanyard
5. Butang jawab/tamat
6. Kord tetap dengan jek stereo 3.5 mm untuk peranti muzik luaran
7. Lampu Penunjuk
8. Fon kepala stereo (boleh ditukar)
9. Mikrofon
10. Soket mengecas



## Apa yang boleh dilakukan oleh set kepala baru anda

Jabra BT325s membolehkan anda mendengar pemain muzik sendiri kegemaran anda, di samping memastikan bahawa anda tidak akan terlepas sebarang panggilan dari telefon bimbit Bluetooth anda.

**Jabra BT325s anda membolehkan anda melakukan semua ini, apabila bertindak sebagai set kepala Bluetooth:**

- Dipasangkan dengan sehingga 8 peranti
- Menjawab panggilan
- Menamatkan panggilan
- Menolak panggilan\*
- Dailan suara\*
- Dailan nombor terakhir\*
- Panggilan menunggu\*
- Letakkan panggilan untuk ditunda\*

**\* Bergantung pada telefon**

**Sila ambil perhatian bahawa semua butang pada peranti Bluetooth dikhaskan untuk mengawal fungsi di atas.**

**Spesifikasi:**

- Masa bercakap sehingga 8 jam/masa tunggu sedia sehingga 240 jam
- Bateri boleh cas semula dengan opsyen mengemas daripada bekalan kuasa AC
- Berat kurang daripada 40 gram termasuk fon kepala Jabra asli
- Jarak pengoperasian sehingga 33 kaki (anggaran 10 meter)
- Profil Bebas Tangan (nilai lalai) dan Set Kepala Bluetooth
- Spesifikasi Bluetooth 1.2 (**Lihat daftar kata muka surat 72**)
- IPx2 (BT325s boleh menampung curahan hujan yang singkat)

**Sila ambil perhatian bahawa BT325s anda boleh menampung curahan hujan yang singkat tetapi bukanlah kalis air dan tidak boleh direndam. Jika peranti anda basah, ia patut dibersihkan daripada sebarang kesan air untuk melindunginya daripada sebarang kemungkinan menjadi rosak.**

## UNTUK BERMULA

Jabra BT325s sangat mudah untuk dikendalikan. Semua butang dikhaskan untuk mengawal panggilan telefon bimbit anda, dan butang-butang tersebut menjalankan fungsi berbeza bergantung pada berapa lama anda menekannya:

| Arahan:          | Tempoh tekanan      |
|------------------|---------------------|
| Ketik:           | Tekan sebentar saja |
| Tekan:           | Lebih kurang 1 saat |
| Tekan dan tahan: | Lebih kurang 5 saat |

### 1 Mengecas Jabra BT325s anda

Cas sepenuhnya Jabra BT325s anda, sebelum anda mula menggunakannya. Hanya gunakan pengecas yang dibekalkan di dalam kotak - jangan gunakan pengecas dari sebarang peranti lain kerana ini boleh merosakkan Jabra BT325s anda.

Sambung BT325s seperti yang ditunjukkan dalam rajah 2 ke bekalan kuasa AC untuk mengemas dari soket kuasa. Apabila lampu penunjuk berwarna merah terang, set kepala anda sedang dicas. Apabila lampu beralih ke warna hijau, set kepala telah tercas sepenuhnya.

### 2 Menghidupkan Jabra BT325s anda

- **Tekan** butang jawab/tamat untuk mengaktifkan BT325s – apabila peranti tersebut aktif, lampu penunjuk LED akan berkelip sebanyak empat kali.
- **Tekan** dan tahan butang jawab/tamat untuk mematikan peranti

**Sila ambil perhatian bahawa BT325s masih boleh memainkan muzik dari pemain muzik sendiri walaupun BT325s dimatikan.**

### 3 Berpasangan dengan telefon bimbit

**Sebelum menggunakan Jabra BT325s dengan telefon bimbit, anda mesti memasangkannya dahulu.**

#### 1. Letakkan BT325s dalam mod berpasangan:

Pastikan bahawa set kepala dimatikan.

**Tekan dan tahan** butang jawab/tamat sehingga lampu penunjuk menjadi biru terang.

## 2. Tetapkan telefon bimbit anda untuk 'menemui' Jabra BT325s

Ikuti panduan arahan telefon anda. Ini kebiasaannya akan melibatkan menu 'persediaan' 'sambung' atau 'Bluetooth' di telefon anda dan memilih opsi untuk mencari atau menambah peranti Bluetooth. (*lihat contoh daripada telefon bimbit biasa dalam rajah 3*)

## 3. Telefon anda akan menemui Jabra BT325s

Telefon anda akan bertanyakan sama ada anda ingin berpasangan dengannya, terima dengan "ya" atau "ok" dan sahkan dengan kunci laluan atau **PIN=0000 (4 sifar)**.

Telefon anda akan memberi pengesahan apabila proses berpasangan telah selesai. Jika pemasangan tidak berjaya, ulang langkah 1 hingga 3.

## 4 Memakai Jabra BT325s anda

Jabra BT325s anda direka untuk dipakai dengan selesa menggunakan klip penutup atau gelang lanyard bersepadu (lanyard tidak disertakan). Mikrofon diintegrasikan pada sisi atas kiri peranti (*apabila melihat BT325s seperti yang ditunjukkan dalam rajah 3. A*). Sila ambil kira perkara ini apabila menentukan kedudukan peranti utama untuk memastikan bahawa suara anda ditangkap dengan jelas. (*Lihat rajah 3. B*)

## 5 Mendengar muzik anda dari pemain muzik sendiri anda

Jabra BT325s menghasilkan potensi sepenuhnya apabila diguna bersama dengan pemain muzik sendiri. Ini boleh jadi sebuah pemain MP3, pusat media mudah alih atau sebarang peranti muzik luaran, yang mempunyai sambungan stereo 3.5mm standard.

Untuk menggunakan Jabra BT325s dengan pemain muzik anda, sambung jek 3.5 mm ke dalam soket fon kepala pada pemain muzik anda. Anda kini boleh mendengar alunan kegembiraan anda di samping memastikan bahawa anda tidak akan terlepas sebarang panggilan dari telefon bimbit Bluetooth anda.

Sila ambil perhatian bahawa semua kawalan pada BT325s adalah dikhaskan untuk mengawal panggilan telefon bimbit anda. Mengawal muzik anda, seperti mula/henti, langkau trek ke depan/ke belakang, kelantangan dan sebagainya, mesti dilakukan dari peranti muzik anda.

**Jabra BT325s adalah serasi dengan kebanyakan pemain muzik sendiri.**

## 6 Cara untuk...

### Mendengar muzik

**Sambungkan** kord tetap 3.5mm ke dalam peranti muzik sendiri anda. Jabra BT325s tidak perlu dihidupkan untuk mendengar muzik.

Anda juga boleh membuka sambungan fon kepala dan masukkan secara langsung ke dalam peranti muzik sebagai fon kepala biasa.

### Menjawab panggilan

**Ketik** butang jawab/tamat pada Jabra BT325s anda untuk menjawab panggilan apabila telefon berdering. Muzik akan semakin perlahan secara automatik apabila terdapat panggilan masuk.

### Menamatkan panggilan

**Ketik** butang jawab/tamat untuk menamatkan panggilan aktif. Muzik akan diteruskan secara automatik selepas panggilan.

### Menolak panggilan\*

**Tekan** butang jawab/tamat apabila telefon berdering untuk menolak panggilan masuk. Bergantung pada tetapan telefon anda, orang yang memanggil anda akan sama ada dialihkan ke mel suara atau mendengar isyarat sibuk.

### Membuat panggilan\*

Apabila anda membuat panggilan dari telefon bimbit anda, muzik akan semakin perlahan dan panggilan tersebut akan (tertakluk kepada tetapan telefon) dipindahkan secara automatik ke Jabra BT325s apabila bersambung.

### Aktifkan dailan suara\*

**Ketik** butang jawab tamat dan sebutkan nama. Untuk hasil yang terbaik, sila rakam tag dailan suara ketika anda sedang memakai Jabra BT325s. Sila rujuk manual pengguna telefon anda untuk maklumat lanjut tentang penggunaan ciri ini.

### Dailan semula nombor terakhir\*

**Tekan** butang jawab tamat.

### Panggilan menunggu dan menunda panggilan\*

Ini membolehkan anda menunda panggilan ketika dalam perbualan untuk menjawab panggilan masuk.

- **Tekan** butang jawab/tamat sekali untuk menunda panggilan aktif dan menjawab panggilan masuk.
- **Tekan** butang jawab/tamat untuk bertukar antara kedua-dua panggilan
- **Ketik** butang jawab/tamat untuk menamatkan perbualan yang aktif

## Melaraskan bunyi dan kelantangan

**Tekan** kelantangan naik atau turun (+ atau -) untuk melaraskan kelantangan. (Lihat rajah 1)

### \* Bergantung pada telefon

## 7 Menukar fon kepala Jabra

Untuk menukar fon kepala Jabra yang dibekalkan dengan set kegemaran anda, hanya sambung jek fon kepala anda ke dalam soket fon kepala pada Jabra BT325s.

Jika menggunakan set fon kepala selain daripada model Jabra yang dibekalkan, sila ambil perhatian bahawa perbezaan impedans dan kepekaan mungkin mengehadkan atau menambah tahap keluaran kelantangan maksimum. Tahap impedans 16 Ohm adalah disyorkan untuk prestasi terbaik. Walau bagaimanapun, sentiasa amalkan langkah beringat apabila menggunakan set fon kepala selain daripada model Jabra yang asli.

## 8 Apa maksud lampu-lampu berikut

| Apa yang anda lihat  | Apa ertinya ini mengenai set kepala anda      |
|----------------------|---|
| Lampu biru berkelip  | Berkelip setiap saat: aktif dalam panggilan   |
| Lampu biru berkelip  | Berkelip setiap tiga saat: dalam mod bersedia |
| Lampu merah berkelip | Kuasa bateri semakin rendah                   |
| Lampu merah terang   | Mengecap                                      |
| Lampu hijau terang   | Dicas sepenuhnya                              |
| Lampu biru terang    | Dalam mod berpasangan – lihat bahagian 3      |

## 9 Menyelesaikan masalah dan Soalan-soalan lazim

### Saya dengar bunyi berkeritan

Bluetooth adalah suatu teknologi radio bermakna ia sensitif terhadap objek di antara set kepala dan peranti yang bersambung dengannya. Anda sepatutnya boleh mendapatkan jarak 10 meter (33 kaki) di antara set kepala dan peranti yang disambungkan apabila tiada objek besar dalam laluan (dinding dan sebagainya).

### Saya tidak dapat mendengar panggilan telefon di set kepala

Tambahkan kelantangan pada BT325s.

Pastikan bahawa set kepala dipasangkan dengan telefon anda.

Pastikan bahawa telefon anda bersambung dengan set kepala dalam menu telefon atau dengan mengetik butang jawab/tamat pada BT325s.

### Saya mempunyai masalah berpasangan

Anda mungkin telah memadamkan sambungan berpasangan dalam telefon bimbit anda – ikut panduan berpasangan di bahagian 3.

### Saya tidak dapat menggunakan Tolak panggilan, tunda panggilan, dail semula atau dailan suara

Ciri-ciri ini bergantung pada sama ada telefon ada menyokong profil bebas tangan Bluetooth, sila rujuk manual telefon anda untuk butiran lanjut.

### Saya tidak dapat mendengar muzik di set kepala

Tambahkan kelantangan pada peranti muzik anda.

Pastikan bahawa fon kepala bersambung pada BT325s dengan betul

Pastikan bahawa BT325s bersambung dengan port 3.5 mm pada peranti muzik

Pastikan bahawa BT325s telah dicas (ia tidak perlu dihidupkan tetapi mesti telah dicas)

Jika BT325s telah kehabisan bateri dan anda tidak dapat mengecap, anda boleh menyambung fon kepala secara terus pada peranti muzik.

### Saya tidak dapat mengawal kelantangan muzik melalui kawalan kelantangan yang ada pada BT325s

Kawalan kelantangan dan butang jawab/tamat adalah dikhaskan untuk pengawalan panggilan telefon.

### Saya mahu muzik ditangguhkan apabila saya dalam panggilan

Muzik akan terus bermain apabila anda sedang dalam panggilan telefon. Jika anda mahu muzik tersebut ditangguhkan, sila gunakan tangguh/henti yang ada pada peranti muzik anda.

## 10 Perlukan bantuan lanjut?

1. Web: [www.jabra.com](http://www.jabra.com) (untuk maklumat sokongan dan Manual Pengguna dalam talian terkini)

2. Telefon bebas tol Isnin hingga Jumaat

### Nombor Bebas Tol:

|              |                  |                 |
|--------------|------------------|-----------------|
| Australia:   | 1-800-083-140    | (10:00 – 19:00) |
| China:       | 800-858-0789     | (08:00 – 19:00) |
| Hong Kong:   | 800-968-265      | (08:00 – 17:00) |
| Indonesia:   | 001-803-852-7664 | (08:00 – 17:00) |
| Jepun:       | 0034-800-400-594 | (09:00 – 18:00) |
| Malaysia:    | 1800-812-160     | (08:00 – 17:00) |
| New Zealand: | 0800-447-982     | (12:00 – 21:00) |
| Singapura:   | 800-860-0019     | (08:00 – 17:00) |
| Taiwan:      | 0080-186-3013    | (08:00 – 19:00) |
| India:       | 000-800-852-1185 | (05:30 – 14:30) |
| Filipina:    | 1800 765 8068    | (08:00 – 17:00) |

## 11 Menjaga set kepala anda

- Sentiasa simpan Jabra BT325s dengan kuasanya dimatikan dan dilindungi dengan selamat.
- Elakkan disimpan pada suhu yang melampau (melebihi 45°C/113°F – termasuk sinaran langsung matahari – atau di bawah -10°C/14°F). Ini boleh memendekkan hayat bateri dan mungkin menjejaskan pengoperasiannya. Suhu tinggi mungkin boleh juga menurunkan ?? prestasinya.
- Jika terdedah kepada air atau cecair lain, peranti patut dibersihkan dari sebarang kesan air.

## 12 Waranti

Jabra (GN Netcom) menjamin produk ini terhadap semua kecacatan material dan pembuatan bagi tempoh satu tahun daripada tarikh pembelian asal. Syarat-syarat waranti ini dan tanggungjawab kami di bawah waranti ini adalah seperti berikut:

- Waranti adalah terhad kepada pembeli asal.
- Satu salinan resit anda atau sebarang bukti pembelian yang lain adalah diperlukan. Tanpa bukti pembelian, waranti anda didefinisikan sebagai bermula pada tarikh pengeluaran yang dilabelkan pada produk berkenaan.
- Waranti ini adalah tidak sah sekiranya nombor siri, label kod tarikh atau label produk dibuka, atau sekiranya produk terdedah kepada tindakan fizikal, pemasangan yang tidak betul, pengubahsuaian, atau pembaikan oleh pihak ketiga yang tidak bertauliah.
- Tanggungjawab produk-produk Jabra (GN Netcom) adalah terhad kepada pembaikan atau penggantian produk berkenaan mengikut pertimbangannya sendiri.
- Sebarang waranti tersirat pada produk-produk Jabra (GN Netcom) adalah terhad kepada satu tahun daripada tarikh pembelian semua bahagian, termasuk sebarang kord atau penyambung.
- Terkecuali secara spesifik daripada sebarang waranti adalah komponen-komponen boleh guna hayat terhad bergantung kepada kehausan dan kelusuan biasa, seperti mikrofon cermin depan, kusyen telinga, kemasan hiasan, bateri, dan aksesori-aksesori lain.
- Jabra (GN Netcom) tidak bertanggungjawab terhadap sebarang kerosakan sampingan atau secara langsung yang timbul akibat penggunaan atau penyalahgunaan sebarang produk Jabra (GN Netcom).
- Waranti ini memberikan anda hak-hak spesifik dan mungkin mendapat hak-hak lain yang berbeza-beza mengikut kawasan-kawasan.
- Kecuali diarahkan sebaliknya dalam Manual Pengguna, pengguna tidak boleh, dalam sebarang keadaan, cuba untuk melakukan servis, pelarasan atau pembaikan ke atas

unit ini, sama ada semasa atau selepas tempoh waranti. Ia mesti dikembalikan ke tempat pembelian, kilang atau agensi servis bertauliah bagi kerja-kerja berkenaan.

- Jabra (GN Netcom) tidak akan bertanggungjawab bagi sebarang kehilangan atau kerosakan yang berlaku semasa penghantaran. Sebarang kerja pembaikan pada produk-produk Jabra (GN Netcom) oleh pihak ketiga yang tidak bertauliah akan membatalkan sebarang waranti.

## 13 Kelulusan pengiktirafan dan keselamatan

**China:** Mematuhi peruntukan-peruntukan Peraturan Radio China.

**Republik Korea:** Disahkan di bawah peruntukan-peruntukan Peraturan bagi Penukiran Peralatan Maklumat dan Komunikasi oleh Ketua Pengarah Makmal Penyelidikan Radio (Kementerian Maklumat dan Komunikasi)

**Taiwan:** Diluluskan oleh Ketua Pengarah Telekomunikasi (Kementerian Pengangkutan dan Komunikasi).

**Singapura:** Diluluskan oleh Pihak Berkuasa Pembangunan Infocomm Singapura (IDA) untuk dijual dan digunakan dalam Singapura.

### FCC

Peranti ini mematuhi bahagian 15 Undang-Undang FCC. Operasinya adalah tertakluk kepada dua syarat berikut: (1) Peranti ini tidak boleh menyebabkan gangguan yang membahayakan, dan (2) peranti ini mesti menerima sebarang gangguan yang diterima, termasuk gangguan yang mungkin menyebabkan operasi yang tidak diinginkan.

### CE

Produk ini ditandakan CE mengikut peruntukan-peruntukan dalam Arahan R & TTE (99/5/EC).

### Bluetooth

Tanda perkataan Bluetooth® dimiliki oleh Bluetooth SIG, Inc. dan sebarang penggunaan tandatanda berkenaan oleh GN Netcom adalah dengan mendapat lesen. Tanda niaga-tanda niaga dan nama dagang lain adalah milik pemilik masing-masing.

## 14 Glosari

- Bluetooth** adalah teknologi radio yang menyambung peranti, seperti telefon bimbit dan set kepala, tanpa wayar atau kord pada jarak yang pendek (anggaran 30 kaki). Dapatkan maklumat lanjut di [www.bluetooth.com](http://www.bluetooth.com).
- Profil Bluetooth** adalah cara lain peranti Bluetooth berkomunikasi dengan peranti-peranti lain. Telefon Bluetooth menyokong sama ada profil set kepala, profil bebas tangan atau kedua-duanya. Untuk menyokong profil tertentu, pengilang telefon mesti melaksanakan ciri mandatori tertentu dalam perisian telefon.
- Berpasangan** membuat pautan unik dan dienkripsi antara dua peranti Bluetooth dan membolehkannya berkomunikasi antara satu sama lain. Peranti Bluetooth tidak akan berfungsi jika peranti-peranti tersebut tidak berpasangan.
- Kunci laluan atau PIN** adalah kod yang anda masukkan pada telefon bimbit anda untuk berpasangan dengan Jabra BT325s anda. Ini membuat telefon dan Jabra BT325s anda mengenali satu sama lain dan bekerja bersama secara automatik.
- Mod bersedia** adalah apabila Jabra BT325s sedang menunggu panggilan secara pasif. Apabila anda 'menamatkan' panggilan pada telefon bimbit anda, set kepala akan ke mod bersedia.

## ภาษาไทย

|  |    |
|--|----|
| ขอขอบคุณ .....                                     | 74 |
| การเริ่มต้นใช้งาน .....                            | 77 |
| 1. ชาร์จ Jabra BT325s ของคุณ .....                 | 77 |
| 2. เปิด Jabra BT325s ของคุณ .....                  | 77 |
| 3. จับคู่กับโทรศัพท์มือถือ .....                   | 77 |
| 4. การสวมชุดหูฟัง Jabra BT325s .....               | 78 |
| 5. ฟังดนตรีจากเครื่องเล่นเพลงแบบเดี่ยวของคุณ ..... | 78 |
| 6. วิธีใช้ .....                                   | 79 |
| 7. การเปลี่ยนชุดหูฟัง Jabra .....                  | 80 |
| 8. ไฟสีต่างๆ มีความหมายอย่างไรบ้าง .....           | 80 |
| 9. การแก้ไขปัญหาและคำถามที่พบบ่อย .....            | 80 |
| 10. สอบถามข้อมูลเพิ่มเติม__ .....                  | 81 |
| 11. การเก็บรักษาชุดหูฟัง .....                     | 82 |
| 12. การรับประกัน .....                             | 82 |
| 13. ใบรับรองและการรับรองความปลอดภัย .....          | 83 |
| 14. คำอธิบายศัพท์ .....                            | 84 |

## ขอขอบคุณ

ขอบคุณที่คุณซื้อชุดหูฟังบลูทูธ Jabra BT325s เราหวังว่าคุณจะสนุกกับชุดหูฟังนี้  
คู่มือผู้ใช้จะช่วยให้คุณเริ่มต้นและพร้อมใช้ประโยชน์สูงสุดจากชุดหูฟัง

## ! โปรดจำไว้ว่า การขับรถต้องมาก่อน ไม่ใช่การโทรศัพท์!

การใช้โทรศัพท์มือถือขณะขับรถจะทำให้คุณเสียสมาธิและเพิ่มความเสี่ยงในการเกิดอุบัติเหตุ หากสถานะการขับรถไม่อำนวย (อาทิเช่นสภาพอากาศไม่ดี การจราจรหนาแน่น มีเด็กอยู่ในรถ หรือสภาพถนนขรุขระ) โปรดจอดเขาข้างทางก่อนจะโทรออกหรือรับสาย นอกจากนี้ พยายามกระชับพนักพิงที่นั่งให้แน่นและอย่าทำการจดบันทึกหรืออ่านเอกสารใดๆ ไปพร้อมกัน

**การใช้ชุดหูฟังนี้จะครอบคลุมทั้งสองข้างในขณะขับรถ  
จึงอาจไม่ได้รับอนุญาตในบางประเทศ**

**ข้อควรจำ: ขับรถอย่างปลอดภัยอยู่เสมอ  
หลีกเลี่ยงสิ่งรบกวนสมาธิ  
และปฏิบัติตามกฎหมายท้องถิ่น**

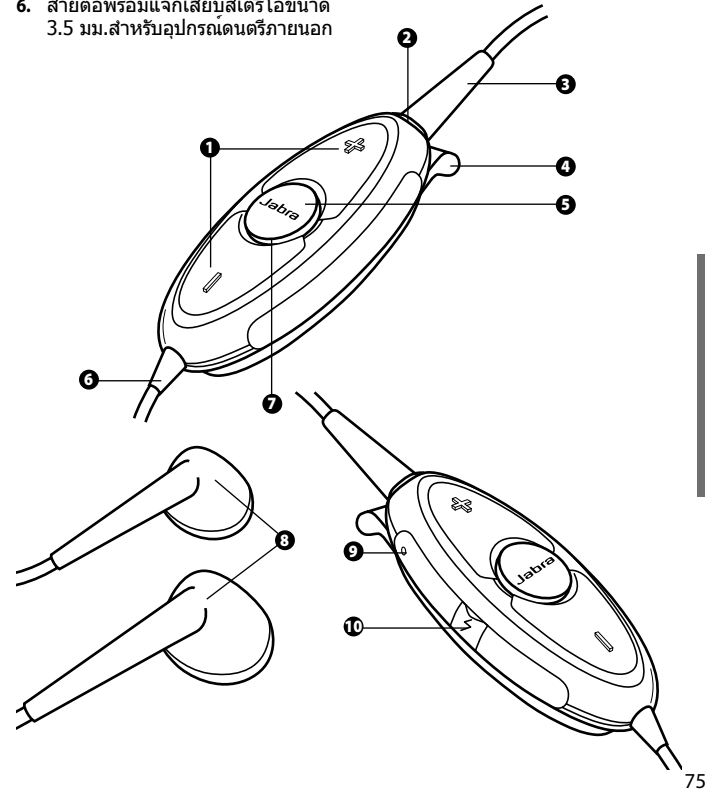
## ปกป้องการได้ยินของคุณ!

การโทรศัพท์หรือฟังดนตรีที่ระดับเสียงสูงๆ อาจทำลายการได้ยินของคุณ  
โปรดใช้ชุดหูฟัง Jabra ของคุณที่ระดับเสียงต่ำและปลอดภัยอยู่เสมอ Jabra  
ไม่รับผิดชอบต่อการสูญเสียการได้ยินที่เกิดจากการใช้ชุดหูฟัง Jabra ในระดับเสียง  
ที่ไม่ปลอดภัย

หากใช้ชุดหูฟังอื่นนอกเหนือจากรุ่นของ Jabra โปรดสังเกตถึงความแตกต่างในความ  
ต้านทานกระแสไฟฟ้าและความอ่อนไหวที่อาจจะจำกัดหรือเพิ่มระดับเสียงสูงสุดที่  
ได้ออกม ดังนั้น โปรดใช้ความระมัดระวังเป็นพิเศษอยู่เสมอเมื่อใช้ชุดหูฟังอื่นนอกเหนือ  
จากรุ่นของ Jabra

## เกี่ยวกับชุดหูฟัง Jabra BT325s+

1. เพิ่มความดัง (+), ลดความดัง (-)
2. รูเสียบสายหูฟัง
3. ตัวต่อหูฟัง (ถอดออกได้)
4. ตัวหนีบเสื่อ พร้อมสายห้อยคอ
5. ปุ่มรับ/วางสาย
6. สายต่อพร้อมแจ็กเสียบสเตอริโอขนาด 3.5 มม. สำหรับอุปกรณ์ดนตรีภายนอก
7. ไฟสถานะ
8. หูฟังสเตอริโอ (เปลี่ยนได้)
9. ไมโครโฟน
10. ช่องเสียบสำหรับชาร์จ





## ความสามารถของชุดหูฟังใหม่

Jabra BT325s ช่วยให้หูฟังเครื่องเล่นเพลงสุดโปรดของคุณได้ พร้อมรับประกันว่า คุณจะมีวันพลาดโทรศัพท์จากโทรศัพท์ที่มีบลูทูธของคุณ

**Jabra BT325s ช่วยให้คุณทำทั้งหมดนั้นได้เมื่อทำหน้าที่เป็นชุดหูฟังบลูทูธ:**

- จับคู่กับอุปกรณ์อื่นได้สูงถึง 8 ชิ้น
- รับสายเรียกเขา
- วางสาย
- ปฏิเสธสาย\*
- โทรออกด้วยเสียง\*
- โทรเข้าเบอร์ล่าสุด\*
- รับสายเรียกซ้อน\*
- พักสาย\*

\* ขึ้นอยู่กับโทรศัพท์

**โปรดสังเกตว่าปุ่มทั้งหมดบนอุปกรณ์บลูทูธนั้นมิได้สำหรับการควบคุมคุณสมบัติข้างต้น**

**คุณลักษณะเฉพาะ:**

- สนทนาได้นานถึง 8 ชั่วโมง/โหมดเตรียมพร้อมสูงถึง 240 ชั่วโมง
- แบตเตอรี่แบบชาร์จใหม่ได้ พร้อมตัวเลือกการชาร์จแบบต่าง จากแหล่งไฟฟ้ AC
- น้ำหนักน้อยกว่า 40 กรัม รวมชุดหูฟัง Jabra เดิม
- รัศมีการทำงานกว้างถึง 33 ฟุต (ประมาณ 10 เมตร)
- โปรไฟล์แฮนด์ฟรี (ค่าตั้งอัตโนมัติ) และชุดหูฟังบลูทู
- คุณลักษณะเฉพาะบลูทูธ 1.2 (ดูข้อกำหนดศัพท์หน้า 84)
- IPx2 (BT325s มีความทนทานต่อละอองฝนช่วงสั้น)

**โปรดสังเกตว่า BT325s สามารถทนทานต่อละอองฝนช่วงสั้น ได้ แต่ไม่ได้กันน้ำและไม่สามารถแช่ในน้ำได้ หากอุปกรณ์ของคุณเปียก ควรจะเช็ดน้ำออกให้หมดเพื่อป้องกันอุปกรณ์จากความเสียหายที่อาจเกิดขึ้น**

## การเริ่มต้นใช้งาน

Jabra BT325s เป็นอุปกรณ์ที่ง่ายต่อการใช ปุ่มทั้งหมดมิได้เพื่อควบคุมการโทรศัพท์ ทั่วยโทรศัพท์มือถือของคุณ และปุ่มต่างๆ ทำหน้าที่แตกต่างกัน ขึ้นอยู่กับระยะเวลาที่คุณกดปุ่มนั้น:

| คำแนะนำ: | ช่วงการกดปุ่ม     |
|----------|-------------------|
| แตะเบาๆ: | แตะแล้วปล่อย      |
| กด:      | กดประมาณ 1 วินาที |
| กดค้าง:  | กดประมาณ 5 วินาที |

### 1 ชาร์จ Jabra BT325s ของคุณ

ชาร์ Jabra BT325s ให้เต็มทีก่อนที่คุณจะเริ่มใช้งาน ไซ้แต่ที่ชาร์จไฟฟ้ที่ให้มีในกล่องเท่านั้น – อยาใช้ที่ชาร์จไฟสำหรับอุปกรณ์อื่น เพราะอาจทำให้ Jabra BT325s เสียหายได้

เชื่อมต่อ ตามที่แสดงไว้ในภา 2 เข้ากับแหล่งไฟฟ้ AC เพื่อทำการชาร์จจากปลั๊กไฟ เมื่อไฟสถานะเป็นสีแดงนี้ แสดงว่าชุดหูฟังของคุณกำลังชาร์จไฟฟ้อย เมื่อไฟเปลี่ยนเป็นสีเขียว แสดงว่าชุดหูฟังชาร์จไฟเต็มแล

### 2 เปิด Jabra BT325s ของคุณ

กดปุ่มร้วางสายเพื่อเปิด – เมื่ออุปกรณ์เปิด ไฟสถานะ LED จะกะพริบสีครั้ง กดค้างปุ่มรับ/วางสาย เพื่อปิดชุดหูฟัง

โปรดสังเกตว่า BT325s ยังสามารถเล่นดนตรีจากเครื่องเล่นดนตรีแบบเดี่ยวได้ ถึงแม้ว่า BT325s จะปิดลงก็ตาม

### 3 จับคู่กับโทรศัพท์มือถือ

ก่อนที่จะใช้ BT325s กับโทรศัพท์มือถือ คุณต้องทำการจับคู่อุปกรณ์ก่อน

1. ตั้ง ิวทีโหมดจับคู่อุปกรณ์:  
ดูในแนวใจว่าปิดชุดหูฟังแล  
กดค้างปุ่มร้วางสาย จนกระทั่งไฟสถานะเปลี่ยนเป็นสีน้ำเงิน

2. ตั้งโทรศัพท์มือถือของคุณใน 'ค้นหา' Jabra BT325s ปฏิบัติตามคู่มือคำแนะนำของโทรศัพท์ของคุณ ปกติแล้ว จะเป็นการไปยังเมนู 'การตั้งค่า' 'การเชื่อมต่อ' หรือ 'บลูทูธ' ที่โทรศัพท์ของคุณและเลือกตัวเลือกเพื่อค้นหาหรือเพิ่มอุปกรณ์บลูทูธ (ดูตัวอย่างจากโทรศัพท์มือถือที่วาง 'ไปในรูป 4)
3. โทรศัพท์ของคุณจะค้นหา Jabra BT325s โทรศัพท์ของคุณจะถามว่าคุณอยากจับคู่หรือไม่ ตอบรับด้วย 'yes' หรือ 'ok' และยืนยันด้วยรหัสผ่านหรือ PIN = 0000 (ดูหน้า 4 ตัว)

โทรศัพท์ของคุณจะยืนยันเมื่อการจับคู่อุปกรณ์เสร็จสมบูรณ์ ในกรณีที่การจับคู่ไม่สำเร็จ ให้ทำซ้ำตามขั้นตอน 1 ถึง 3

## 4 การสวมชุดหูฟัง Jabra BT325s

Jabra BT325s ออกแบบมาเพื่อให้สวมใส่ได้โดยสะดวกโดยใช้คลิปหนีบติดเสื้อหรือสายคล้องคอ (สายคล้องคอไม่มีรวมมาด้วย) ไม่ควรโฟนรวมอยู่ตรงตามบนชายของอุปกรณ์ (เมื่อมอง BT325s ตามแนบชี้แสดงไว้ในรูป 3. A) โปรดจำข้อมูลนี้ไว้ด้วยขณะจัดตำแหน่งอุปกรณ์หลักเพื่อให้แน่ใจว่าจะรับเสียงของคุณได้อย่างชัดเจน (ดูภาพ 3. B)

## 5 ฟังดนตรีจากเครื่องเล่นเพลงแบบเดี่ยวของคุณ

Jabra BT325s จะใช้งานได้อย่างเต็มประสิทธิภาพเมื่อใช้ร่วมกับเครื่องเล่นเพลงภายนอก อาจจะเป็นเครื่องเล่น MP3, เครื่องเล่นแบบพกพา หรืออุปกรณ์ดนตรีภายนอกอื่น ๆ ที่ประกอบไปด้วยตัวเชื่อมต่อสเตอริโอมาตรฐาน 3.5 มม.

เพื่อใช้ Jabra BT325s กับเครื่องเล่นเพลง เสียบแจ็ค 3.5 มม. เข้ากับช่องเสียบสายหูฟังของเครื่องเล่นเพลง ตอนนี้ คุณสามารถฟังเพลงโปรดได้ พร้อมกับมั่นใจได้ว่าคุณจะไม่พลาดสายใด จากโทรศัพท์เคลื่อนที่ที่มีคุณสมบัติบลูทูธ

โปรดสังเกตว่าการควบคุมทั้งหมด BT325s ล้วนมีไว้เพื่อควบคุมการใช้สายโทรศัพท์มือถือของคุณ การควบคุมดนตรี อาทิเช่น เล่น/หยุด, ข้ามแทร็กไปข้างหน้า/ถอยหลัง, ระดับเสียง ฯลฯ จะต้องทำจากอุปกรณ์ดนตรี

Jabra BT325s สามารถใช้ร่วมกับเครื่องเล่นเพลงส่วนใหญ่ได้

## 6 วิธีใช้....

### การฟังเพลง

เสียบสายแฉก 3.5 มม. เข้ากับเครื่องเล่นเพลงของคุณ Jabra BT325s ไม่จำเป็นต้องเปิดเพื่อทำการฟังเพลง คุณยังสามารถถอดหูฟังและเสียบเข้ากับอุปกรณ์ดนตรีโดยตรงเหมือนหูฟังทั่วไปได้

### การรับสาย

เคาะปุ่มรับ/วางสาย ที่ ของคุณเพื่อรับสายเมื่อโทรศัพท์ตั้งขึ้น ดนตรีจะเบาลงโดยอัตโนมัติเมื่อมีสายเรียกเข้ามา

### การวางสาย

เคาะปุ่มรับ/วางสาย เพื่อวางสายที่ใช้อยู่ ดนตรีจะเล่นต่อโดยอัตโนมัติหลังจากวางสาย

### การไม่รับสาย\*

กดปุ่มรับ/วางสาย เมื่อเสียงกริ่งของโทรศัพท์ดังขึ้น เพื่อปฏิเสธสายเรียกเข้า บุคคลที่โทรติดต่ออาจจะถูกโอนสายไปยังศูนย์ขอความช่วยเหลือหรือได้ยินสัญญาณไม่วาง ทั้งนี้ขึ้นอยู่กับการตั้งค่าในโทรศัพท์ของคุณ

### การโทรออก\*

เมื่อโทรออกจากโทรศัพท์เคลื่อนที่ ดนตรีจะเบาลงและการโทรนั้นจะโอนมาที่โดยอัตโนมัติเมื่อสัญญาณเชื่อมต่อแล้ว (ขึ้นอยู่กับการตั้งค่าของโทรศัพท์)

### เปิดใช้การโทรด้วยเสียง\*

เคาะปุ่มรับ/วางสาย แล้วพูดขึ้น เพื่อผลลัพธ์ที่ดีที่สุด ให้บันทึกเสียงโทรออกในขณะที่คุณส่ว โปรดอ่านข้อมูลเพิ่มเติมเกี่ยวกับการใช้คุณสมบัตินี้จากคู่มือผู้ใช้ของโทรศัพท์

### กดหมายเลขล่าสุด\*

กดปุ่มรับ/วางสาย

### การรับสายเรียกซ้อนและการพักสาย\*

คุณสมบัตินี้จะช่วยให้คุณพักสายระหว่างสนทนาเพื่อรับอีกสายหนึ่งที่เรียกซ้อนเข้ามา

- กดปุ่มรับ/วางสาย หนึ่งครั้งเพื่อพักสายที่กำลังสนทนาและรับอีกสายหนึ่งที่เรียกซ้อนเข้ามา
- กดปุ่มรับ/วางสาย เพื่อสลับระหว่างสองสาย
- เคาะปุ่มรับ/วางสาย เพื่อวางสายการสนทนา

### ปรับเสียงและความดัง

กดเพิ่มหรือลดความดัง (+ หรือ -) เพื่อปรับระดับเสียง (ดูภาพ 1)

\* ขึ้นอยู่กับโทรศัพท์

## 7 การเปลี่ยนชุดหูฟัง Jabra

เพื่อทำการเปลี่ยนชุดหูฟัง Jabra ที่คุณเชื่อมมากับชุดหูฟังโปรด เพียงแค่เสียบแจ๊กหูฟังของคุณเข้ากับช่องเสียบหูฟัง Jabra BT325s

หากใช้ชุดหูฟังอื่นนอกเหนือจากรุ่นของ Jabra โปรดสังเกตถึงความแตกต่างในความมอดานทานกระแสไฟฟ้าและความอ่อนไหวที่อาจจะมีจำกัดหรือเพิ่มระดับเสียงสูงสุดที่ได้ออกม ระดับความมอดานทานที่ 16 โอมห์ถือเป็นระดับที่ให้ประสิทธิภาพดีที่สุดในทุกทิศทาง โปรดใช้ความระมัดระวังเป็นพิเศษอยู่เสมอเมื่อใช้ชุดหูฟังอื่นนอกเหนือจากรุ่นของ Jabra

## 8 ไฟสีต่างๆ มีความหมายอย่างไรบ้าง

| สีไฟที่ปรากฏ        | ความหมาย  |
|---------------------|---|
| กะพริบเป็นสีน้ำเงิน | กะพริบทุกๆ วินาที: จะกะพริบเมื่อมีการโทร              |
| กะพริบเป็นสีน้ำเงิน | กะพริบทุกๆ 3 วินาที: เมื่ออยู่ในโหมดเตรียมพร้อม       |
| ติดเป็นสีแดง        | แบตเตอรี่ใกล้จะหมด                                    |
| ติดเป็นสีเขียว      | ชาร์จแบตเตอรี่เต็มแล้ว                                |
| ติดเป็นสีน้ำเงิน    | อยู่ในโหมดจับคู่ – อ่านรายละเอียดเพิ่มเติมที่เรื่อง 3 |

## 9 การแก้ปัญหาและคำถามที่พบบ่อย

### ฉันได้ยินเสียงรบกวน

บลูทูธเป็นเทคโนโลยีคลื่นวิทยุ ซึ่งหมายความว่า มีความไวต่อวัตถุต่าง ที่อยู่ระหว่างชุดหูฟังและอุปกรณ์ที่เชื่อมต่อด้วย คุณควรจะมีระยะห่างที่รบกวน 10 เมตร (33 ฟุต) ระหว่างชุดหูฟังและอุปกรณ์ที่เชื่อมต่อ โดยไม่มีวัตถุขนาดใหญ่ขวางกั้น (กำแพง ฯลฯ)

### ฉันไม่ได้ยินเสียงสายเรียกเข้าทางหูฟัง

เพิ่มระดับเสียงบน BT325s  
ดูให้แน่ใจว่าชุดหูฟังนั้นจับคู่กับโทรศัพท์แล้ว  
ดูให้แน่ใจว่าโทรศัพท์ของคุณเชื่อมต่อกับชุดหูฟังในเมนูของโทรศัพท์หรือโดยการเคาะปุ่มรับ/วางสายบน BT325s

### ฉันมีปัญหาในการจับคู่อุปกรณ์

คุณอาจลบการเชื่อมต่อจับคู่อุปกรณ์ในโทรศัพท์มือถือของคุณออกไป – ปฏิบัติตามคำแนะนำในการจับคู่อุปกรณ์ในส่วนที่ 3

ฉันไม่สามารถใช้การปฏิเสธสายเรียกเข้า, การพักสาย, การโทรซ้ำหรือการโทรออกด้วยเสียง คุณสมบัติเหล่านี้ขึ้นอยู่กับโทรศัพท์ของคุณจะรองรับโปรไฟล์สแตนด์พรีบลูทูธหรือไม่ โปรดดูรายละเอียดในคู่มือโทรศัพท์ของคุณ

### ฉันไม่ได้ยินเสียงดนตรีในชุดหูฟัง

เพิ่มระดับเสียงบนอุปกรณ์ดนตรีของคุณ  
ดูให้แน่ใจว่าหูฟังนั้นเชื่อมต่ออย่างเหมาะสมกับ BT325s  
ดูให้แน่ใจว่า BT325s เชื่อมต่อกับพอร์ต 3.5 มม.ของอุปกรณ์ดนตรี  
ดูให้แน่ใจว่า BT325s นั้นชาร์จไฟแล้ว (อุปกรณ์ไม่จำเป็นต้องเปิดใช้งานแต่ควรจะถูกชาร์จไฟ)  
หาก BT325s ไม่มีไฟในแบตเตอรี่และคุณไม่สามารถทำการชาร์จไฟได้ คุณสามารถเชื่อมต่อหูฟังเข้ากับอุปกรณ์ดนตรีได้โดยตรง

### ฉันไม่สามารถควบคุมระดับเสียงดนตรีผ่านทางตัวควบคุมระดับเสียงบน BT325s ได้

ตัวควบคุมระดับเสียงและปุ่มรับ/วางสายนั้นมีไว้เพื่อควบคุมการใช้งานโทรศัพท์

### ฉันอยากให้นดนตรีหยุดชั่วคราวเวลาที่ทำการใช้โทรศัพท์

ดนตรีจะยังคงเล่นต่อไปเวลาที่การใช้โทรศัพท์ หากคุณอยากให้นดนตรีหยุดชั่วคราวกรุณาใช้ปุ่มหยุดชั่วคราว/หยุดบนอุปกรณ์ดนตรีของคุณ

## 10 สอบถามข้อมูลเพิ่มเติม

- เว็บไซต์: [www.jabra.com](http://www.jabra.com) (สำหรับข้อมูลสนับสนุนล่าสุดและคู่มือแบบออนไลน์สำหรับผู้ใช้)
- โปรดติดต่อหมายเลขโทรฟรีในวันจันทร์ถึงศุกร์  
หมายเลขโทรฟรี  
ออสเตรเลีย: 1-800-083-140 (10:00 – 19:00)  
จีน: 800-858-0789 (08:00 – 19:00)  
ฮ่องกง: 800-968-265 (08:00 – 17:00)  
อินโดนีเซีย: 001-803-852-7664 (08:00 – 17:00)  
ญี่ปุ่น: 0034-800-400-594 (09:00 – 18:00)  
มาเลเซีย: 1800-812-160 (08:00 – 17:00)  
นิวซีแลนด์: 0800-447-982 (12:00 – 21:00)  
สิงคโปร์: 800-860-0019 (08:00 – 17:00)  
ไต้หวัน: 0080-186-3013 (08:00 – 19:00)  
อินเดีย: 000-800-852-1185 (05:30 – 14:30)  
ฟิลิปปินส์: 1800 765 8068 (08:00 – 17:00)

## 11 การเก็บรักษาชุดหูฟัง

- เก็บ Jabra BT325s โดยปิดเครื่องและเก็บในที่ที่ปลอดภัยเสมอ
- หลีกเลี่ยงการเก็บไว้ในที่ที่มีอุณหภูมิสูง (มากกว่า 45 องศาเซลเซียส/113 องศาฟาเรนไฮต์) เพราะจะทำให้ประสิทธิภาพในการทำงานลดลงและรบกวนอายุการใช้งานแบตเตอรี่ อุณหภูมิสูงจะลดประสิทธิภาพการทำงานของอุปกรณ์
- หากเปียกน้ำหรือของเหลวอื่น ควรเช็ดอุปกรณ์ให้แห้งสนิท

## 12 การรับประกัน

Jabra (GN Netcom) ขอรับประกันว่าผลิตภัณฑ์นี้ปราศจากข้อบกพร่องทั้งในด้านวัสดุ และ คุณภาพเป็นระยะเวลาหนึ่งปีนับจากวันที่ซื้อ เงื่อนไขของการรับประกันนี้และควมรับผิดชอบของเราภายใต้การรับประกันนี้มีดังต่อไปนี้:

- การรับประกันจำกัดอยู่เพียงผู้ซื้อดั้งเดิม
- ต้องมีสำเนาใบเสร็จรับเงินหรือหลักฐานการซื้ออื่นๆ หากไม่มีหลักฐานการซื้อ จะกำหนด ให้การรับประกันเริ่มขึ้นในวันที่ผลิตตามที่ระบุไว้ในฉลากซึ่งติดไว้บนผลิตภัณฑ์
- การรับประกันถือเป็นโมฆะหากหมายเลขเครื่อง ฉลากรหัสรุ่นที่ และหรือฉลากผลิตภัณฑ์ถูก ดึงออก หรือหากมีการใช้ผลิตภัณฑ์อย่างไม่ถูกต้อง มีการติดตั้งไม่เหมาะสม มีการดัดแปลง แกะไข หรือซ่อมแซมโดยบุคคลที่สามซึ่งไม่ได้รับอนุญาต
- ความรับผิดชอบต่อผลิตภัณฑ์ของ Jabra (GN Netcom) จะจำกัดไว้เพียงการซ่อมแซม หรือการเปลี่ยนผลิตภัณฑ์ตามแต่ละทาง Jabra จะพิจารณาเห็นสมควรเพียงผู้เดียว
- การรับประกันผลิตภัณฑ์ Jabra (GN Netcom) โดยนัยจะจำกัดเพียงหนึ่งปีนับจากวันที่ ซื้อตัวเครื่องทุกส่วนรวมถึงสายไฟและตัวเชื่อมต่อด้วย
- ข้อยกเว้นจากการรับประกันคือส่วนประกอบที่ใช้ได้ซึ่งมีอายุการใช้งานจำกัดซึ่งเป็นไปตาม การเสื่อมสภาพทั่วไป เช่น ที่หม้อไมโครโฟน ที่หูหึ่งฟัง ส่วนประดับตกแต่ง แบตเตอรี่ และอุปกรณ์เสริมอื่นๆ
- Jabra (GN Netcom) จะไม่รับผิดชอบต่อความเสียหายที่เกิดจากอุบัติเหตุหรือเกิดสับ เนื่องมาจากการใช้งาน หรือการใช้งานผลิตภัณฑ์ Jabra (GN Netcom) แบบผิดๆ
- การรับประกันนี้จะให้สิทธิเฉพาะอย่างแก่ท่าน และอาจได้สิทธิอื่นเพิ่มเติมซึ่งจะแตกต่างกัน ไปในแต่ละประเทศ
- สิ่งที่อยู่นอกเหนือไปจากที่กล่าวถึงในคู่มือการใช้งานฉบับนี้ ไม่ว่าจะอยู่ในสถานการณ์ใดก็ตาม ผู้ใช้งานต้องไม่พยายามให้บริการ ทำการดัดแปลงแก้ไข หรือการซ่อมแซมเครื่องนี้ ด้วยตัวเองไม่ว่าจะอยู่ในหรือนอกเหนือจากการรับประกัน ผู้ใช้ต้องส่งเครื่องกลับคืนมายัง แหล่งที่ซื้อ โรงงาน หรือตัวแทนผู้ให้บริการที่ได้รับอนุญาตเพื่อปฏิบัติงานดังกล่าวทั้งหมด

- Jabra (GN Netcom) จะไม่รับผิดชอบต่อการสูญหายหรือความเสียหายที่เกิดขึ้นระหว่าง การขนส่ง งานเกี่ยวกับการซ่อมแซมผลิตภัณฑ์ Jabra (GN Netcom) โดยบุคคลที่สามซึ่ง ไม่ได้รับอนุญาตจะทำให้การรับประกันนี้เป็นโมฆะ

## 13 ใ้รับรองและการรับรองความปลอดภัย

### จีน:

ปฏิบัติตามทบทวนผู้ติในกฎระเบียบเกี่ยวกับวิทยุของจีน

### สาธารณรัฐเกาหลี:

ได้รับการรับรองตามทบทวนผู้ติของข้อกำหนดในการรับรองข้อมูลสารสนเทศและเครื่องมือสื่อสาร (Regulations on Certification of Information and Communication Equipment) จากผู้อำนวยการศูนย์ปฏิบัติการคนควาวิจัยทางด้านวิทยุ (กระทรวงข้อมูลสารสนเทศและการสื่อสาร)

### ไต้หวัน:

ได้รับการรับรองจากผู้อำนวยการด้านการโทรคมนาคม (กระทรวงคมนาคมและการสื่อสาร)

### สิงคโปร์:

ได้รับการรับรองจาก Infocomm Development Authority of Singapore (IDA) สำหรับการซื้อขายและการใช้ในสิงคโปร์

### FCC

อุปกรณ์นี้มีคุณสมบัติสอดคล้องกับส่วนที่ 15 ของกฎ FCC การใช้งานจะเป็นไปตามเงื่อนไข สองประการต่อไปนี้ คือ (1) อุปกรณ์นี้ต้องไม่ก่อให้เกิดคลื่นรบกวนที่เป็นอันตราย และ (2) อุปกรณ์นี้ต้องยอมรับคลื่นรบกวนที่ได้รับ รวมถึงคลื่นรบกวนที่อาจเป็นต้นเหตุของการทำงานที่ ไม่พึงปรารถนาด้วย

### CE

ผลิตภัณฑ์นี้มีเครื่องหมาย CE เพื่อให้เป็นไปตามบทบัญญัติของ R&TTE Directive (99/5/EC)

### Bluetooth

Bluetooth SIG, Inc. เป็นเจ้าของเครื่องหมายตัวอักษรและโลโก้ Bluetooth (Bluetooth®) และ การใช้เครื่องหมายดังกล่าวโดย GN Netcom เป็นไปตามขออนุญาตการใช้สิทธิเครื่องหมายการค้าและชื่อการค้าอื่นๆจะเป็นของเจ้าของตามลำดับ

## 14 คำอธิบายศัพท์

- 1 Bluetooth** เป็นเทคโนโลยีด้านวิทยุที่พัฒนาขึ้นเพื่อเชื่อมต่ออุปกรณ์ต่างๆ เช่น โทรศัพท์มือถือและชุดหูฟังโดยปราศจากเส้นลวดหรือสายไฟในระยะทางสั้นๆ (ประมาณ 30 ฟุต) อ่านข้อมูลเพิ่มเติมได้ที่ [www.bluetooth.com](http://www.bluetooth.com)
- 2 โพรไฟล์ Bluetooth** เป็นวิธีการที่แตกต่างออกไปในการสื่อสารของอุปกรณ์ Bluetooth กับอุปกรณ์อื่นๆ โทรศัพท์ที่มี Bluetooth จะรองรับโพรไฟล์ชุดหูฟัง โพรไฟล์แอสแตร์ หรือรับได้ทั้งสองอย่าง ในการรองรับเพียงโพลีไฟล์ใดเพียงอย่างเดียว ผู้ผลิตโทรศัพท์ต้องใช้คุณลักษณะบังคับบางอย่างภายในซอฟต์แวร์โทรศัพท์
- 3 การจับคู่** สร้างตัวเชื่อมโยงการติดต่อสื่อสารระหว่างอุปกรณ์ Bluetooth ทั้งสองอย่างและทำให้สื่อสารไปมาระหว่างกันได้ อุปกรณ์ Bluetooth จะไม่ทำงานถ้าไม่ได้จับคู่อุปกรณ์ทั้งสองก่อน
- 4 รหัสผ่านหรือ PIN** เป็นรหัสลับที่ดักป้อนเข้าไปในโทรศัพท์มือถือเพื่อจับคู่กับ Jabra BT325s จะทำให้โทรศัพท์และชุดหูฟัง Jabra BT325s จำกันได้และจะทำงานร่วมกันโดยอัตโนมัติ
- 5 โหมดเตรียมพร้อม** คือช่วงที่ Jabra BT325s กำลังรอสายโทรเข้า เมื่อท่าน "วาง" สายโทรศัพท์มือถือ ชุดหูฟังจะเปลี่ยนเป็นโหมดเตรียมพร้อม