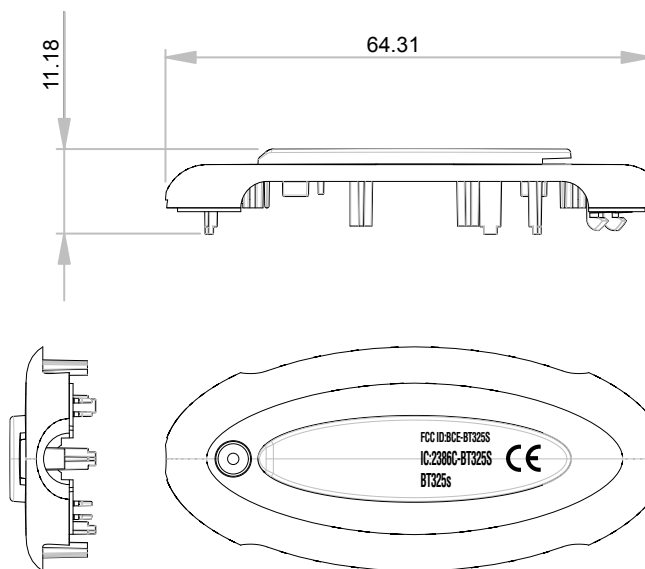
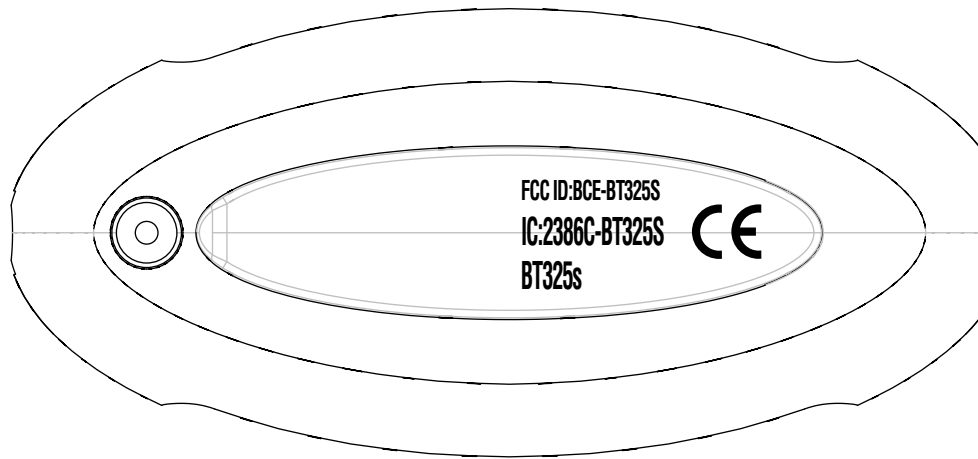


FOR VIEWING ONLY

Scale: 2:1



Responsible dept. Mobile Division	Document type PRINTINSTRUCTION	Document status RELEASED	
	Description REAR HOUSING PRINTED	Ident. No. 83-00261	Projection:
	Created by GW	Approved by JED	Technical reference JED
	Date of issue 21.02.2006	Revision A	Page No.: 1 of 1
			Scale: 1:1

This drawing is the property of GN Netcom A/S and is to be treated as confidential by the party to whom it has been submitted by GN Netcom A/S and is not to be disclosed to any third party without the specific written permission of GN Netcom A/S

All dimensions are in mm.
Copyright © 2004 GN Netcom A/S

A B C D E F