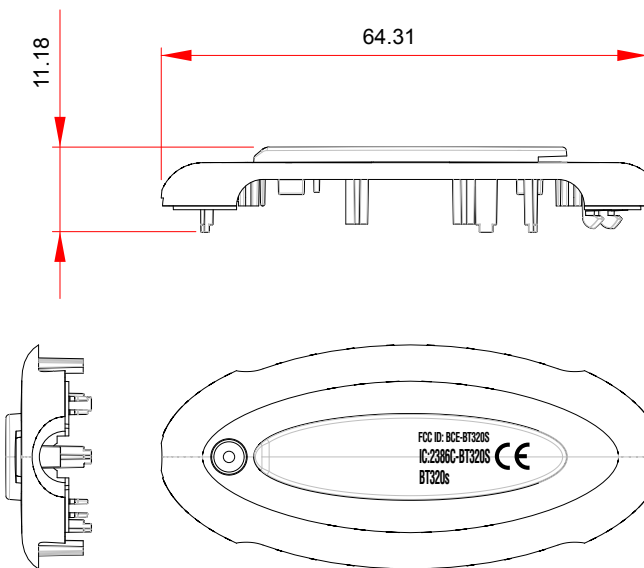
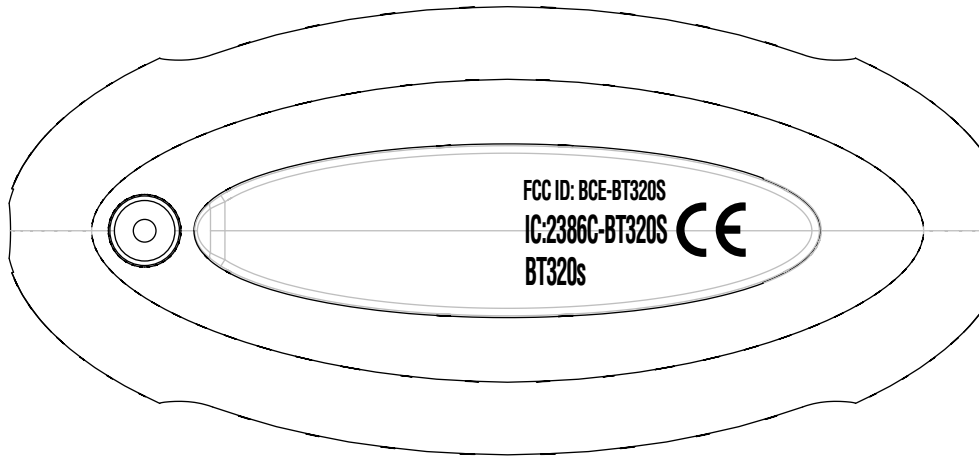

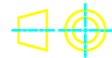


FOR VIEWING ONLY

Scale: 2:1



PAD PRINT COLOUR: WHITE

Responsible dept. <b>Mobile Division</b>	Document type <b>PRINTINSTRUCTION</b>	Document status <b>CONCEPT</b>	
	Description <b>REAR HOUSING PRINTED</b>	Ident. No. <b>83-00309</b>	Projection: 
	Created by <b>GW</b>	Approved by <b>PFJ</b>	Technical reference <b>KOB</b>
	Date of issue <b>16.05.06</b>	Revision <b>A</b>	Page No.: <b>1 of 1</b> Scale: <b>1:1</b>

This drawing is the property of GN Netcom A/S and is to be treated as confidential by the party to whom it has been submitted by GN Netcom A/S and is not to be disclosed to any third party without the specific written permission of GN Netcom A/S

All dimensions are in mm.  
Copyright © 2004 GN Netcom A/S

A      B      C      D      E      F