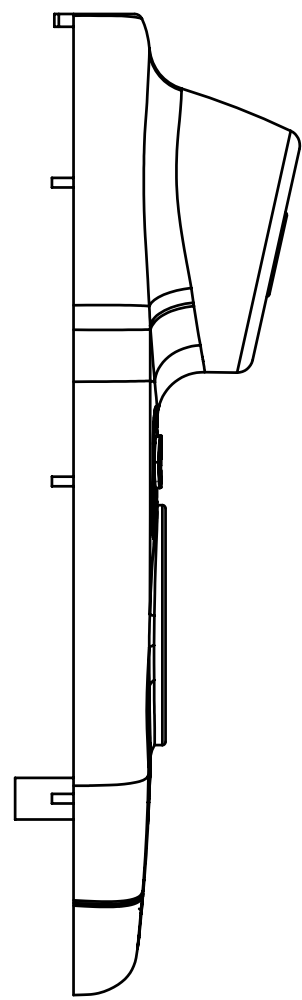
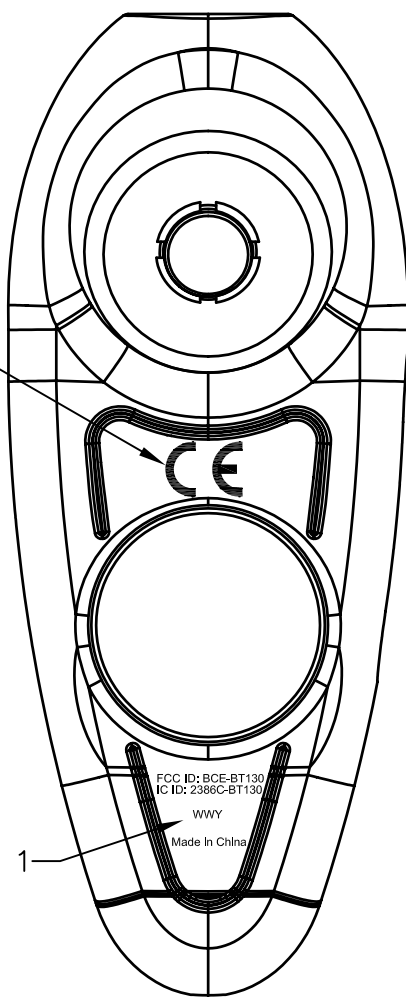



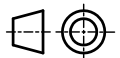
8  
7  
6  
5  
4  
3  
2

NOTE 2

NOTE 1



NOTE 1: DATE CODE ACCORDING TO DOCUMENT IN B.O.M. (LASERETCHED)  
 NOTE 2: PAD PRINTET IN PANTONE COLOUR: 438U

Responsible dept. <b>Mobile Division</b>		Document type <b>Printinstruction</b>		Document status <b>Preliminary 02.05.2005</b>	
		Description <b>LOWER HOUSING PRINTED</b>		Ident. No. <b>83-00141</b>	Projection: 
		Created by <b>PFJ</b>		Approved by <b>JOG</b>	
ECO/NPR No. -		Date of issue --	Revision <b>0</b>	Page No.: <b>2 OF 2</b>	Scale: <b>2:1</b>
This drawing is the property of GN Netcom A/S and is to be treated as confidential by the party to whom it has been submitted by GN Netcom A/S and is not to be disclosed to any third party without the specific written permission of GN Netcom A/S					All dimensions are in mm. Copyright © 2004 GN Netcom A/S

A | B | C | D | E | F