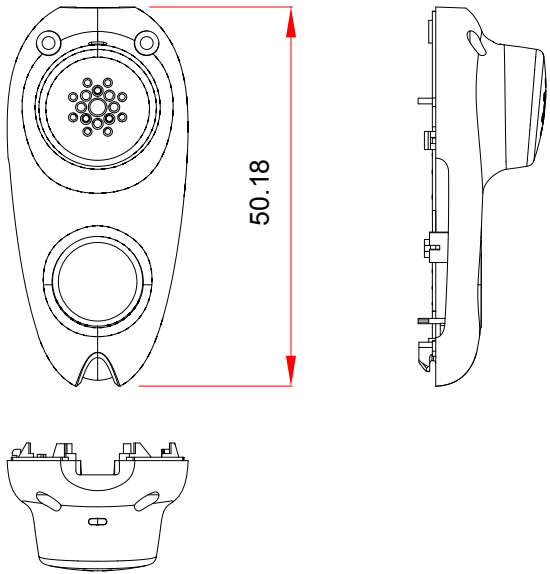
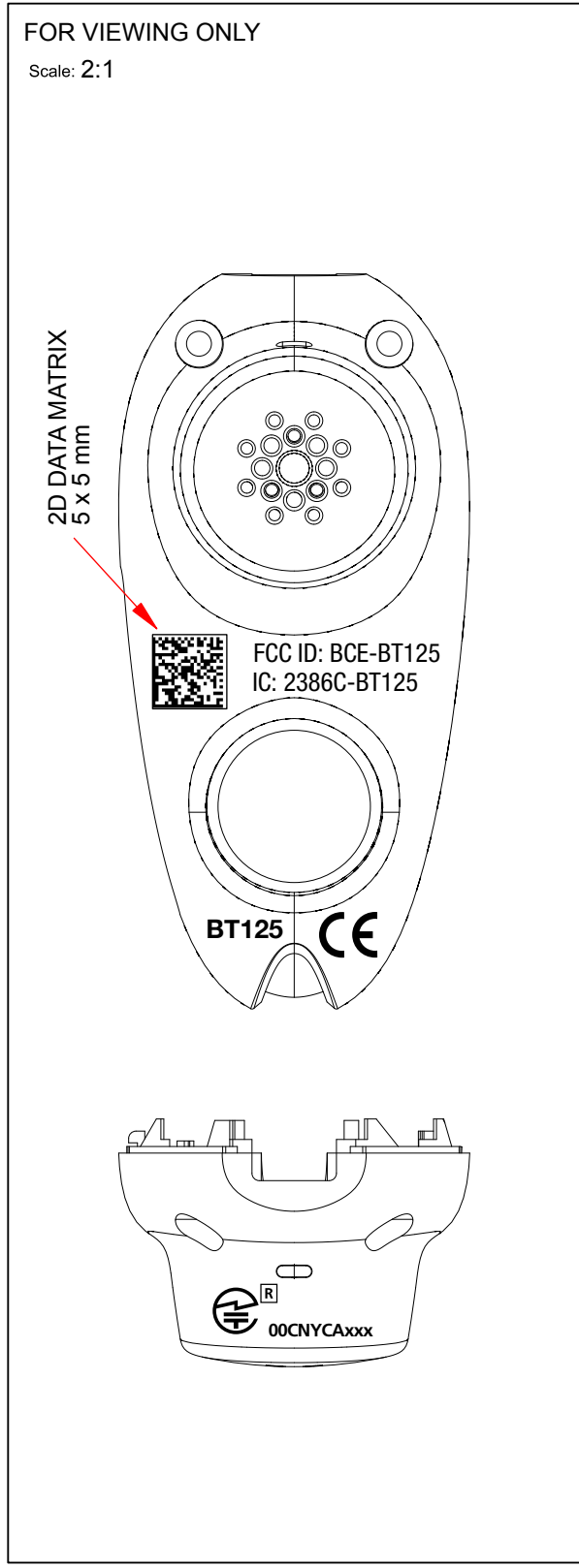




8
7
6
5
4
3
2



PAD PRINT COLOUR: PANTONE 425C



Responsible dept. Mobile Division		Document type Print instruction		Document status CONCEPT	
		Description REAR HOUSING PAD PRINT/ARTWORK		Ident. No. 83-00316A	Projection: 
		Created by GW		Approved by PFJ	
		Date of issue 22.05.2006	Revision A	Page No.: 1 of 1	Scale: 1:1

This drawing is the property of GN Netcom A/S and is to be treated as confidential by the party to whom it has been submitted by GN Netcom A/S and is not to be disclosed to any third party without the specific written permission of GN Netcom A/S

All dimensions are in mm.
Copyright © 2004 GN Netcom A/S

A B C D E F