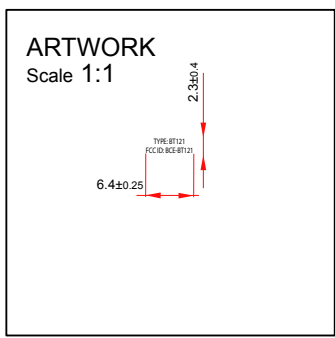
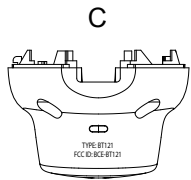
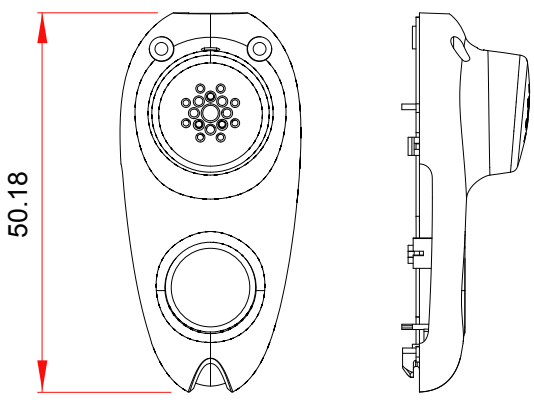
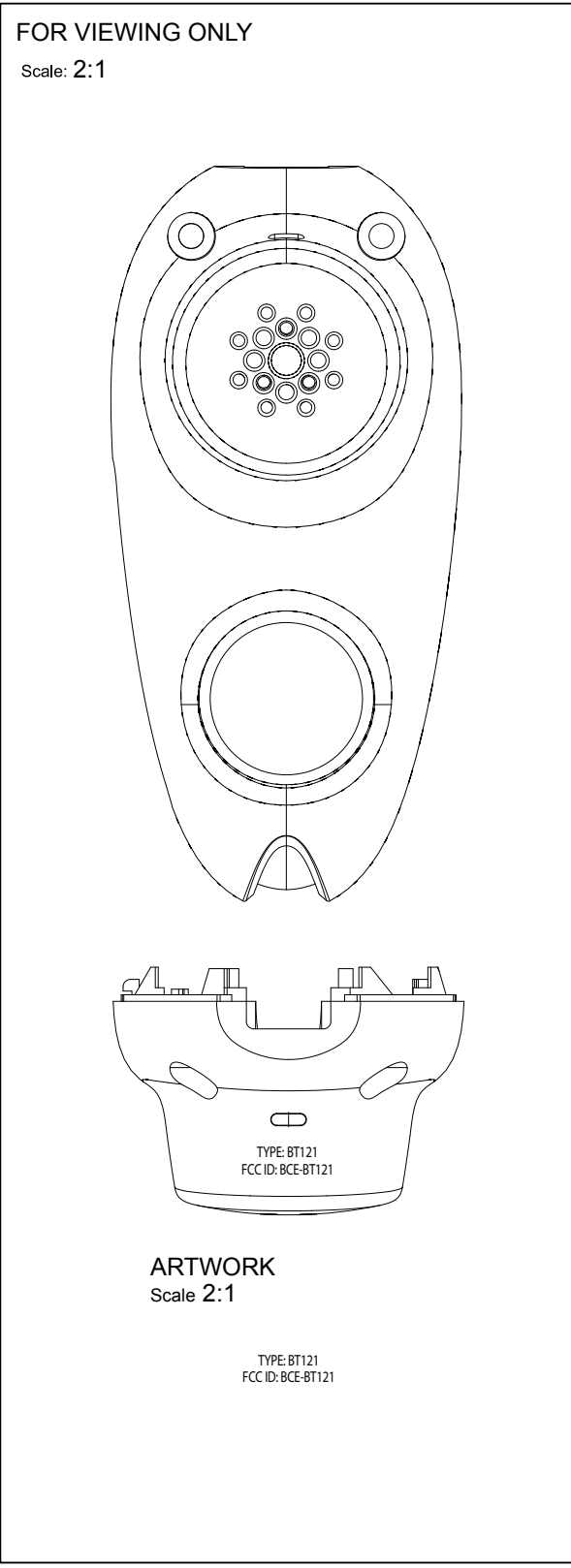


8  
7  
6  
5  
4  
3  
2



PAD PRINT COLOUR: PANTONE 423C



Responsible dept. <b>Mobile Division</b>	Document type <b>Print instruction</b>	Document status <b>CONCEPT</b>	
	Description <b>REAR HOUSING PAD PRINT/ARTWORK</b>	Ident. No. <b>83-00269</b>	Projection: 
	Created by <b>GW</b>	Approved by <b>SRA</b>	Technical reference <b>SRA</b>
	Date of issue <b>19.08.2007</b>	Revision <b>A</b>	Page No.: <b>1 of 1</b> Scale: <b>1:1</b>

This drawing is the property of GN Netcom A/S and is to be treated as confidential by the party to whom it has been submitted by GN Netcom A/S and is not to be disclosed to any third party without the specific written permission of GN Netcom A/S

All dimensions are in mm.  
Copyright © 2004 GN Netcom A/S

A                      B                      C                      D                      E                      F