

Bluetooth headset

User manual

Jabra
BT 110

English	1
Français	13
Español	25

English

Thank you	2
1. Getting started	3
2. Using your Jabra BT110 headset	5
3. Using your Jabra BT110 with the Jabra A210 Bluetooth adapter	6
4. LED status indicators	6
5. Choosing wearing preference	7
6. Troubleshooting and frequently asked questions	7
7. Need more help?	8
8. Storage of the Jabra BT110	8
9. Warranty	8
10. Certification and safety approvals	10
11. Glossary	11

Thank you

Thank you for purchasing the Jabra BT110 Bluetooth® Headset, we hope you will be totally delighted with its operation. The Jabra BT110 is a simple and easy way to enjoy hands-free use of your Bluetooth mobile phone. The Jabra BT110 is designed to be comfortable enough to be worn all day and will provide up to 15 hours of talk time on a single AAA battery.

Please read the instruction manual to get started.

! Drive safely

Using a mobile phone while driving creates a distraction to the driver which may increase the likelihood of an accident.

When using the phone while driving, keep conversations short and do not make notes or read documents. Before answering calls consider your circumstances. Pull off the road and park before making or answering calls when driving conditions require (e.g. bad weather, high traffic density, presence of children in the car, difficult junctions or manoeuvres.)

Remember, driving comes first, not the call!

Abide by local laws.

Jabra BT110 Overview

- 1 Answer / end button
- 2 Yellow light (LED) indicating pairing and low battery
- 3 Volume control
- 4 Battery panel
- 5 MiniGel™

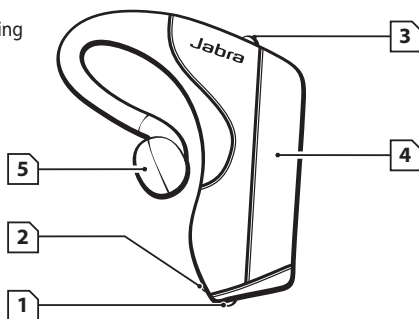


Fig. 1

Summary of features

- Up to 15 hours talk time on single AAA battery
- Turns off automatically to lengthen battery life
- Total weight including battery is only 26 grams
- Range up to 10 metres (33 feet)
- Bluetooth¹ (See **glossary**) version 1.2
- Headset and hands-free Bluetooth profiles²
- Operational features:
 - Answer call
 - Call end
 - Supports voice-dialling (subject to phone)
 - Reject call

Your Jabra BT110 is compatible with most Bluetooth mobile phones. You can check whether your phone has Bluetooth capability by visiting your phone manufacturer's web site or Jabra's website (www.jabra.com)

BEFORE USING YOUR Jabra BT110 BLUETOOTH HEADSET

The Jabra BT110 is designed to be simple to operate with a minimum of control buttons. The answer/end button on the headset will provide alternative operations depending on the length of time it is pressed.

Instruction:	Duration of press:
Tap	Press briefly
Press	Approx: 1 second
Press and hold	Approx: 5 seconds

1 Getting Started

In order for your Jabra BT110 to function with your Bluetooth mobile phone, you need to establish a connection between the two devices:

1. Insert an AAA battery

Open the battery compartment by sliding the battery panel off as shown in Fig. 2

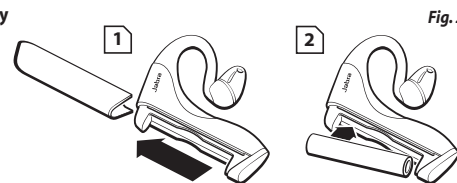


Fig. 2

2. Pairing³

The Jabra BT110 will always go into pairing mode whenever you insert / replace the battery. The yellow light will come on and remain on for approximately 5 minutes. During this time the headset can be paired³ (connected) to your mobile phone.

To exit this mode and resume normal use just tap the answer / end button.

① **NOTE:** It is only the first time you want to connect your BT110 with your mobile phone that you need to pair the two devices.

3. Set your Bluetooth phone to “discover” the Jabra BT110

Follow your phone’s instruction guide. This usually involves going to a “setup”, “connect”, or “Bluetooth” menu **on your phone** and then selecting the option to “discover” a Bluetooth device*. (See example from a Sony Ericsson T610 in Fig. 3)



Fig. 3

4. Your phone will find the “Jabra BT110”

The phone then asks if you want to pair with it. Confirm by pressing “yes” or “ok”.

5. Enter passkey or PIN⁴ = 0000 (4 zeros), then press “yes” or “ok”

6. If pairing was successful

The yellow light (LED) will briefly flash rapidly before turning off.

7. If pairing was unsuccessful

The yellow light (LED) remains solid, and you’ll need to re-attempt pairing.

After five minutes the solid yellow light will turn off automatically whether you have successfully paired or not. To re-activate pairing mode remove and re-insert the battery.

* Phone-specific pairing instructions can be found online at www.jabra.com/fscs

2 Using your Jabra BT110 headset

You are now ready to use your Jabra BT110 headset.

1. To answer a call direct from your mobile phone

Press the answer button on your phone’s keypad. You can subsequently transfer the call to your headset by a tap on the headset’s answer/end button.

2. To answer a call direct from your headset

Tap once on the headset’s answer/end button.

If you choose to take the call directly from the headset, the time for the call to transfer from the mobile phone to the headset will depend on the phone model. To avoid missing calls, we recommend that you answer calls on your mobile phone and then transfer the call as described above.

3. To end a call

Tap the end button on your mobile phone or the answer/end button on your headset.

4. To make a call

Use the mobile phone’s keypad to dial the number, and tap once on the answer / end button on the headset to transfer the call to the Jabra BT110.

5. Voice-dialing (if supported by phone)

The voice-dial function is activated with tap on the answer/end button. For further information about using this feature, please consult your phone’s user manual. You will get the best result if you record the voice dialing tag through your headset.

6. Call reject

To reject an incoming call, press the answer / end button.

7. Maximising battery life

The Jabra BT110 has been designed to give you the most talk time possible, up to 15 hours (subject to AAA battery and handset model). To maximise battery life, the Jabra BT110 automatically turns off after each call.

3 Using your Jabra BT110 with the Jabra A210 Bluetooth adapter

To Pair the Jabra BT110 with the Jabra A210

Turn on the Jabra BT110 and the Jabra A210 and place the two devices in close proximity to each other.

Set the adapter to pairing mode to connect with the headset. Consult the adapter's user manual for further information.

Turning the headset on and off

If you use your Jabra BT110 with the Jabra A210 Bluetooth adapter, your headset will not automatically turn on and off, but remain on in standby mode⁵. Leaving the device on will affect battery life. You can manually turn the headset on and off by following the instructions below.

- To turn the headset on, press the answer/end button
- To turn the headset off, press and hold the answer/end button (approx. 5 sec.)

Making/answering a call

- When you make a call from your mobile phone, the call will be automatically transferred to the headset (if it is on) – you do not have to tap the answer/end button
- You can answer a call on your headset or your mobile phone. As long as your headset is in standby mode, the call will be transferred immediately to the headset

! **IMPORTANT:** *Avoid using keypad tones on your mobile phone when using your Jabra A210 Bluetooth adapter. The tones will activate the adapter and thus use the battery power.*

4 LED status indicators

Your Jabra BT110 has a yellow light (LED) which provides useful information.

- When you insert or replace the battery and turn the headset on, the yellow LED will become solid yellow. This means that the headset is in pairing mode
- When your battery is getting low, the yellow LED will flash twice every 5 seconds. You should then replace the battery
- If you use the Jabra BT110 with the Jabra A210, the yellow LED will indicate 'On' by flashing every 3 seconds

5 Choosing wearing preference

The Jabra BT110 is ready to wear on the right ear. If you prefer the left, gently rotate the MiniGel 180°.

For optimal performance, wear the Jabra BT110 and your mobile phone on the same side of your body or within line of sight. In general, you will get better performance when there are no obstructions between the headset and the mobile phone.

6 Troubleshooting and frequently asked questions

If you can hear crackling noises;

For the best audio quality, always wear your headset on the same side of the body as your mobile phone.

If you cannot hear anything in your headset;

1. Increase the volume on the headset.
2. Ensure that the headset is paired with the phone.
3. Make sure that the phone is connecting to the headset – if it does not connect either from the phone's Bluetooth menu or by tapping the answer/end button, carry out the pairing procedure.

Will the Jabra BT110 work with other Bluetooth equipment?

The Jabra BT110 is designed to work with Bluetooth mobile phones. It can also work with other Bluetooth devices that are compliant with version 1.1 or 1.2 and support headset and/or hands-free profile.

Will my Jabra BT110 interfere with my car's electronics, radio, or computer?

The Jabra BT110 produces significantly less power than a typical mobile phone. It also only emits signals that are in compliance with the international Bluetooth standard. Therefore, you should not expect any interference with standard consumer-grade electronics equipment.

I am experiencing pairing problems even though my phone is indicating otherwise

If you have deleted your headset pairing connection in your mobile phone, the only way to successfully pair the Jabra BT110 with your mobile phone is to follow the pairing instructions in section 1 'Getting started'.

7 Need more help?

1. Web: www.jabra.com/fscs (for the latest support info and online User Manuals)
2. E-mail: Tech Support: techsupp@jabra.com
Information: info@jabra.com
3. Phone: 1 (800) 327-2230 (toll-free in USA and Canada)
(858) 622-9955
4. Support Hours: Monday – Friday 8 am – 5 pm, Pacific Standard Time.

8 Storage of the Jabra BT110

1. Always store the Jabra BT110 with power off and safely protected.
2. Avoid storage at high temperatures (above 45°C / 113°F) – such as direct sunlight. (Storage at high temperatures can degrade performance and reduce battery life). Low temperatures (down to -10°C / 14°F will shorten battery life and may affect operation but should not permanently damage the Jabra BT110.
3. Do not expose the Jabra BT110 to rain or other liquids.

9 Warranty

Jabra limited product warranty. Jabra warrants to Purchaser that for a period of one (1) year after the date of purchase (the "Warranty Period") of any Jabra Product ("Product") by Purchaser, the Product will substantially conform to Jabra's published specifications for the Product on the date of Purchaser's purchase of the Product, subject to the terms herein. Purchaser shall notify Jabra of any nonconformance during the Warranty Period and obtain a written return material authorization ("RMA") and an RMA number for the nonconforming Product from Jabra and return the nonconforming Product to Jabra at: Jabra Corporation, 9171 Towne Centre Drive, Suite 500, San Diego, California 92122 USA, freight prepaid, with a statement describing the nonconformity. Jabra's exclusive obligation with respect to nonconforming Product shall be, at Jabra's option and expense, to repair or replace such Product so that it substantially conforms with its published specifications on the date of Purchaser's purchase, or, if Jabra, in Jabra's sole discretion, determines that it is not possible to repair or replace the Product, Jabra may, at Jabra's option, refund to Purchaser the purchase price paid for the Product. THE FOREGOING IS PURCHASER'S SOLE AND EXCLUSIVE REMEDY FOR BREACH OF WARRANTY BY JABRA WITH RESPECT TO THE PRODUCT. The warranty set forth above shall not apply to any Product which has not been properly used or handled in accordance with the instructions supplied by Jabra, lost or misplaced for any reason, or which

has been modified, repaired or altered, except by Jabra or at a Jabra authorized service facility, or which has been subjected to faulty installation, misuse, abuse, or which the Product defect is attributable to any failure or damage which is beyond the reasonable control of Jabra. This warranty is available only to Purchaser, and does not extend to any distributors, retailers, or other resellers of the Product. This warranty applies only to new Jabra products purchased from authorized retail sellers. This warranty does not apply to: "open box purchases," resales by private parties or any other third party purchases by unauthorized distributors. Transfer of Jabra products through any unauthorized distributor renders our manufacturer's warranty null and void. BUYER BEWARE: any Jabra product sold by a private party or unauthorized distributor and not by an authorized Jabra retail seller is sold on an "as is" or "with all faults" basis with respect to Jabra. As such, the entire risk as to the quality and performance of such products will be with the buyer if the unauthorized distributor will not cover the costs of repairing defects. Should such products prove defective following their purchase, the buyer or unauthorized distributor, and not the manufacturer or its authorized retail sellers, assumes the entire cost of all necessary servicing or repair. Therefore, buyers are strongly encouraged to purchase Jabra products only from Jabra authorized retail sellers. THE FOREGOING WARRANTIES ARE THE SOLE WARRANTIES, EXPRESS OR IMPLIED, GIVEN BY JABRA IN CONNECTION WITH THE PRODUCT, AND JABRA DISCLAIMS ALL OTHER WARRANTIES, INCLUDING WARRANTIES OF MERCHANTABILITY, FITNESS FOR A PARTICULAR PURPOSE AND NONINFRINGEMENT OF THIRD PARTY RIGHTS. JABRA SHALL NOT BE LIABLE FOR ANY SPECIAL, INCIDENTAL OR CONSEQUENTIAL DAMAGES IN CONNECTION WITH THE PRODUCT, EVEN IF JABRA HAS BEEN ADVISED OF THE POSSIBILITY OF SUCH DAMAGES. THE LIABILITY OF JABRA HEREUNDER FOR ALL CLAIMS SHALL NOT EXCEED THE AMOUNT PAID BY PURCHASER TO JABRA FOR THE PRODUCT GIVING RISE TO JABRA'S LIABILITY.

10 Certification and safety approvals

FCC

This device complies with part 15 of the FCC Rules. Operation is subject to the following two conditions: (1) This device may not cause harmful interference, and (2) this device must accept any interference received, including interference that may cause undesired operation.

Users are not permitted to make changes or modify the device in any way. Changes or modifications not expressly approved by Jabra (GN Netcom) will void the user's authority to operate the equipment.

This equipment has been tested and found to comply with the limits for a Class B digital device, pursuant to part 15 of the FCC Rules. These limits are designed to provide reasonable protection against harmful interference in a residential installation. This equipment generates, uses and can radiate radio frequency energy and, if not installed and used in accordance with the instructions, may cause harmful interference to radio communications. However, there is no guarantee that interference will not occur in a particular installation. If this equipment does cause harmful interference to radio or television reception, which can be determined by turning the equipment off and on, the user is encouraged to try to correct the interference by one or more of the following measures:

- Reorient or relocate the receiving antenna.
- Increase the separation between the equipment and receiver.
- Connect the equipment into an outlet on a circuit different from that to which the receiver is connected.
- Consult the dealer or an experienced radio/TV technician for help.

The user must place the base 8" (20cm) or more from any personnel in order to comply with FCC RF exposure requirements.

Industry Canada

Operation is subject to the following two conditions: (1) This device may not cause interference and (2) This device must accept any interference, including interference that may cause undesired operation of the device.

The term "IC:" before the certification/registration number only signifies that registration was performed based on a Declaration of Conformity indicating that Industry Canada technical specifications were met. It does not imply that Industry Canada approved the equipment.

CE

This product is CE marked according to the provisions of the R & TTE Directive (99/5/EC).

Hereby, GN Netcom, declares that this product is in compliance with the essential requirements and other relevant provisions of Directive 1999/5/EC.

For further information please consult <http://www.gnnetcom.com>

Please note that this product uses radio frequency bands not harmonised within EU. Within the EU this product is intended to be used in Austria, Belgium, Denmark, Finland, France, Germany, Greece, Ireland, Italy, Luxembourg, The Netherlands, Portugal, Spain, Sweden, United Kingdom and within EFTA in Iceland, Norway and Switzerland.

Bluetooth

The *Bluetooth*[®] word mark and logos are owned by the Bluetooth SIG, Inc. and any use of such marks by Jabra is under license. Other trademarks and trade names are those of their respective owners.

11 Glossary

- 1 Bluetooth** is a radio technology developed to connect devices, such as mobile phones and headsets, without wires or cords over a short distance of up to 10 metres (approx 30 feet). More information is available at www.bluetooth.com
- 2 Bluetooth profiles** are protocols through which Bluetooth devices communicate with other devices. Your phone needs to support either the handsfree or headset profile to function with the Jabra BT110.
- 3 Pairing** creates a unique and encrypted communication link between two Bluetooth enabled devices and allows them to communicate with each other. Bluetooth devices will not work if the devices have not been paired with each other.
- 4 Passkey or PIN** is a code that needs to be entered on the phone in order to pair the mobile phone with the Jabra BT110. When you have already paired your mobile phone with the headset, the phone and the Jabra BT110 will recognize each other and the phone will bypass the discovery and authentication process and automatically accept the transmission.
- 5 Standby mode** is when the Jabra BT110 is used with the Jabra A210 and is passively waiting for a call. When you "end" the call on your mobile phone, the headset will go into standby mode. The yellow LED will indicate standby mode by flashing every 3 seconds.

Français

Merci	14
1. Mise en route	15
2. Utilisation de votre casque Jabra BT110	17
3. Utilisation de votre Jabra BT110 avec l'adaptateur Jabra A210 Bluetooth	18
4. Voyants d'état	18
5. Choisissez votre mode de port du casque préféré	19
6. Détection des pannes et questions fréquentes	19
7. Besoin d'aide ?	20
8. Rangement du Jabra BT110	20
9. Garantie	20
10. Certification et agréments en matière de sécurité	22
11. Glossaire	23

Merci

Merci d'avoir acheté le casque Jabra BT110 Bluetooth®. Nous espérons que vous en serez totalement satisfait. Le Jabra BT110 offre un mode d'utilisation mains libres à la fois simple et aisé de votre téléphone mobile Bluetooth. Le Jabra BT110 est conçu pour être suffisamment confortable pour être porté toute la journée et assurer jusqu'à 15 heures de temps de conversation, le tout sur une seule et même pile de type AAA.

Avant toute utilisation, veuillez lire le mode d'emploi.

! Conduisez prudemment

Toute utilisation d'un téléphone mobile pendant la conduite suscite pour le conducteur une distraction qui peut augmenter le risque d'accident.

Lorsque vous utilisez le téléphone en conduisant, veuillez à écouter les communications et à ne pas prendre de notes ou lire de documents. Avant de répondre à un appel, observez toujours bien la situation dans laquelle vous vous trouvez. Quittez la route et gardez-vous avant d'effectuer ou de répondre à un appel lorsque les conditions de conduite l'exigent (par exemple par mauvais temps, en cas de circulation dense, de présence d'enfants dans la voiture, ou de croisements ou de manœuvres difficiles).

N'oubliez pas : la conduite d'abord, l'appel ensuite !

Respectez la législation locale.

Présentation générale du Jabra BT110

- 1 Bouton Répondre/Mettre fin à un appel
- 2 Voyant jaune indicateur d'appairage et de batterie faible
- 3 Commande volume
- 4 Panneau pile
- 5 MiniGel™

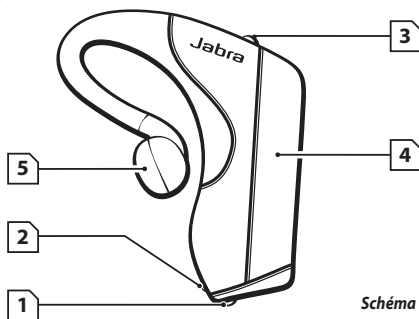


Schéma 1

Synthèse des fonctions

- Jusqu'à 15 heures de temps de conversation sur une seule pile de type AAA
- S'arrête automatiquement pour prolonger la durée de vie de la pile
- Poids total (pile comprise) de 26 grammes seulement
- Portée de 10 mètres max
- Bluetooth¹ (Voir **glossaire**) version 1.2
- Profil casque et mains libres Bluetooth²
- Caractéristiques de fonctionnement :
 - Répondre à un appel
 - Mettre fin à un appel
 - Supporte la numérotation vocale (selon le modèle de téléphone)
 - Rejet d'appel

Votre Jabra BT110 est compatible avec la plupart des téléphones mobiles Bluetooth. Pour vérifier si votre téléphone est compatible Bluetooth, consultez le site web du fabricant de votre téléphone ou bien le site Web de Jabra (www.jabra.com)

AVANT TOUTE UTILISATION DE VOTRE CASQUE BLUETOOTH Jabra BT110

Le Jabra BT110 est spécialement étudié pour être simple à utiliser avec un minimum de boutons de commande. Le bouton Répondre/Mettre fin à un appel assure divers types de fonctions selon la durée pendant laquelle il est maintenu enfoncé.

Instruction :	Durée d'activation :
Presser	Simple pression rapide
Appuyer	Environ 1 seconde
Appuyer et maintenir la pression	Environ 5 secondes

1 Mise en route

Pour que votre Jabra BT110 fonctionne avec votre téléphone mobile Bluetooth, vous devez établir une connexion entre les deux appareils :

1. Insérez une pile de type AAA

Ouvrez le compartiment pile en faisant glisser le couvercle comme indiqué sur le Schéma 2.

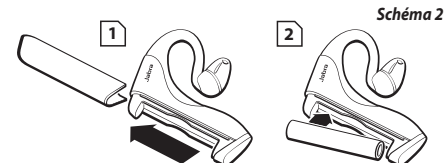


Schéma 2

2. Appairage³

Le Jabra BT110 passe toujours en mode appairage chaque fois que vous insérez une pile neuve ou que vous la remplacez. Le voyant jaune s'allume et reste allumé pendant environ 5 minutes. Votre casque peut pendant ce temps être appairé³ (connecté) à votre téléphone mobile.

Il suffit de donner une légère tape sur le bouton Répondre/Mettre fin à un appel pour quitter ce mode et reprendre une utilisation normale.

❗ **NOTE:** *il n'est nécessaire d'appairer les deux périphériques que la première fois que vous raccordez votre BT110 et votre téléphone mobile.*

3. Réglez votre téléphone Bluetooth pour « détecter » le Jabra BT110

Suivez le mode d'emploi de votre téléphone. En règle générale, la procédure à suivre implique d'accéder, **sur votre téléphone**, à un menu d'« installation », de « connexion » ou « Bluetooth », puis de sélectionner l'option de « détection » d'un périphérique Bluetooth*. (**Se reporter à l'exemple pour le Sony Ericsson T610 sur le Schéma 3**)



Schéma 3

4. Votre téléphone détecte le « Jabra BT110 »

Le téléphone vous demande si vous voulez l'appairer. Confirmez en appuyant sur « oui » ou sur « ok ».

5. Saisissez votre mot de passe ou votre code PIN⁴ = 0000 (4 zéros), puis appuyez sur « oui » ou « ok ».

6. Si l'appairage a réussi

Le voyant jaune clignote rapidement avant de s'éteindre.

7. Si l'appairage a échoué

Le voyant reste fixe : vous devrez renouveler la tentative d'appairage.

Au bout de cinq minutes, le voyant jaune fixe s'éteint automatiquement, que vous ayez réussi l'appairage ou non. Pour ré-activer le mode appairage, enlevez la pile et remettez-la en place.

* Les instructions d'appairage applicables aux divers modèles de téléphones sont consultables sur le site www.jabra.com/fscc

2 Utilisation de votre casque Jabra BT110

Vous êtes maintenant en mesure d'utiliser votre casque Jabra BT110.

1. Pour répondre à un appel directement à partir de votre téléphone mobile

Appuyez sur le bouton Répondre sur le clavier de votre téléphone. Vous pouvez ensuite transférer l'appel sur votre casque en pressant sur le bouton Répondre/Mettre fin à un appel.

2. Pour répondre à un appel directement à partir de votre casque

Pressez une fois sur le bouton Répondre/Mettre fin à un appel.

Si vous choisissez de prendre l'appel directement à partir du casque, le temps requis pour transférer l'appel du téléphone mobile au casque dépendra de votre modèle de téléphone. Afin d'éviter de manquer des appels, nous vous conseillons de répondre aux appels sur votre téléphone mobile, puis de transférer l'appel comme indiqué ci-dessus.

3. Pour mettre fin à un appel

Pressez une tape sur le bouton fin d'appel de votre téléphone mobile ou sur le bouton Répondre/Mettre fin à un appel de votre casque.

4. Pour effectuer un appel

Utilisez le clavier de votre téléphone mobile pour composer le numéro, puis pressez sur le bouton Répondre/Mettre fin à un appel sur le casque pour transférer l'appel sur votre Jabra BT110.

5. Numérotation vocale (si votre téléphone possède cette fonction)

La fonction de numérotation vocale est activée d'une seule pression sur le bouton Répondre/Mettre fin à un appel. Pour plus d'informations sur l'utilisation de cette fonction, veuillez consulter le manuel d'utilisation de votre téléphone. Vous obtiendrez un meilleur résultat si vous enregistrez le code de numérotation vocale via le casque.

6. Refuser un appel

Pour refuser un appel entrant, appuyez sur le bouton Répondre/Mettre fin à un appel.

7. Optimiser la durée de vie de la pile

Le Jabra BT110 a été conçu pour vous fournir un temps de conversation le plus long possible, jusqu'à 15 heures (en fonction de la pile AAA et du modèle de téléphone). Pour optimiser la durée de vie de la pile, le Jabra BT110 s'éteint automatiquement après chaque appel.

Pour appairer le Jabra BT110 avec le Jabra A210

Mettez le Jabra BT110 et le Jabra A210 en marche en plaçant les deux appareils à proximité l'un de l'autre.

Mettez l'adaptateur en mode appairage pour le brancher avec le casque. Consultez l'adaptateur du manuel d'utilisation pour de plus amples informations.

Mettez le casque en marche et arrêtez-le

Si vous utilisez votre Jabra BT110 avec l'adaptateur Jabra A210 Bluetooth, votre casque ne s'éteindra pas pour se rallumer automatiquement, mais restera en mode veille.⁵ Le fait de laisser l'appareil en marche affecte la durée de vie de la pile. Vous pouvez mettre le casque en marche et l'éteindre manuellement en suivant les instructions ci-dessous.

- Pour mettre le casque en marche, appuyez sur le bouton Répondre/Mettre fin à un appel
- Pour éteindre le casque, appuyez sur le bouton Répondre/Mettre fin à un appel et maintenez-le enfoncé (pendant environ 5 secondes)

Répondre/Mettre fin à un appel

- Lorsque vous effectuez un appel à partir de votre téléphone mobile, l'appel sera automatiquement transféré sur le casque (si celui-ci est allumé) : vous n'avez pas à presser sur le bouton Répondre/Mettre fin à un appel
- Vous pouvez répondre à un appel sur votre casque ou sur votre téléphone mobile. Tant que votre casque est en mode veille, l'appel sera immédiatement transféré sur le casque

! **IMPORTANT :** évitez d'utiliser les tonalités de votre téléphone mobile lorsque vous utilisez votre adaptateur Jabra A210 Bluetooth. Le dispositif de tonalités active l'adaptateur et use la pile.

Votre Jabra BT110 est doté d'un voyant jaune qui vous fournit des informations utiles.

- Lorsque vous insérez la pile ou que vous la remplacez pour mettre le casque en marche, le voyant jaune devient fixe, ce qui signifie que le casque est en mode appairage
- Lorsque votre pile s'épuise, le voyant jaune clignote deux fois toutes les 5 secondes. Il convient alors de remplacer la pile
- Si vous utilisez le Jabra BT110 avec le Jabra A210, le voyant jaune signale la position « On » (marche) en clignotant toutes les 3 secondes

Le Jabra BT110 est livré prêt-à-porter sur l'oreille droite. Si vous préférez l'oreille gauche, faites tourner doucement le MiniGel à 180°.

Pour un fonctionnement optimal, portez le Jabra BT110 et votre téléphone mobile sur le même côté du corps ou dans un même alignement. En règle générale, vous obtiendrez un meilleur fonctionnement s'il n'y a pas d'obstructions entre le casque et le téléphone mobile.

Si vous entendez des craquements :

Pour une qualité audio optimale, portez toujours votre casque sur le même côté du corps que votre téléphone mobile.

Si vous n'entendez rien dans votre casque :

1. augmentez-en le volume.
2. vérifiez que le casque est bien appairé au téléphone.
3. assurez-vous que le téléphone est bien connecté au casque ; s'il ne se connecte pas, soit à partir du menu du téléphone Bluetooth, soit en pressant sur le bouton Répondre/Mettre fin à un appel, procédez à l'appairage en suivant la procédure requise.

Le Jabra BT110 fonctionne-t-il avec d'autres équipements Bluetooth ?

Le Jabra BT110 est conçu pour fonctionner avec d'autres téléphones mobiles Bluetooth. Il peut également fonctionner avec d'autres périphériques Bluetooth compatibles avec les versions 1.1 ou 1.2 et supportent les profils casque et/ou mains libres.

Le Jabra BT110 produira-t-il des interférences avec les appareils électroniques, la radio ou l'ordinateur de mon véhicule automobile ?

Le Jabra BT110 produit nettement moins d'électricité qu'un téléphone mobile traditionnel. De plus, il n'émet que des signaux conformes avec la norme internationale Bluetooth. En conséquence, il ne devrait pas susciter d'interférences avec des équipements électroniques de consommation courante.

J'ai des problèmes d'appairage, même si mon téléphone mobile indique que tel n'est pas le cas.

Si vous avez supprimé la connexion d'appairage de votre téléphone mobile, la seule manière d'appairer correctement le Jabra BT110 avec votre téléphone mobile est de suivre les instructions figurant à la section 1 « Mise en route ».

7 Besoin d'aide ?

1. Sur le Web : www.jabra.com/fsccs (pour l'actu la plus récente en matière d'assistance et pour accéder aux manuels d'utilisation en ligne)
2. Courrier électronique : assistance technique : techsupp@jabra.com
Informations : info@jabra.com
3. Téléphone : +1 (800) 327 2230 (numéro d'appel gratuit depuis les États-Unis et le Canada)
+1 (858) 622 9955
4. Horaires d'ouverture de l'assistance technique : du lundi au vendredi, de 08h00 à 17h00 (heure du Pacifique)

8 Rangement du Jabra BT110

1. Mettez toujours le Jabra BT110 hors tension avant de le ranger et protégez-le bien.
2. Évitez de l'exposer à une température élevée (supérieure à 45° C). Évitez notamment toute exposition directe aux rayons du soleil. (Une exposition à de fortes températures est susceptible de nuire aux performances de l'appareil et de réduire la durée de vie de la pile). Les basses températures (jusqu'à -10° C) auront pour effet d'écourter la durée de vie de la pile et pourront nuire au fonctionnement du Jabra BT110, mais ne devraient en principe pas l'endommager.
3. Ne pas exposer le Jabra BT110 à la pluie ou à d'autres liquides.

9 Garantie

Garantie de produit limitée Jabra. Jabra garantit à l'Acheteur que durant une période d'une (1) année à compter de la date d'achat (la « Période de garantie ») de tout produit Jabra (le « Produit ») par l'Acheteur, le Produit sera en substance conforme aux spécifications publiées par Jabra pour celui-ci à la date d'achat du Produit par l'Acheteur, sous réserve des dispositions des présentes. L'Acheteur informera Jabra de tout défaut de conformité au cours de la Période de garantie et obtiendra de Jabra une autorisation écrite de retour de matériel (« ARM »), ainsi qu'un numéro d'ARM pour le Produit non conforme, et retournera le Produit non conforme à Jabra à l'adresse suivante : Jabra Corporation, 9171 Towne Centre Drive, Suite 500, San Diego, California 92122 USA, en port payé, accompagné d'une déclaration décrivant le défaut de conformité. La seule obligation de Jabra concernant le Produit non conforme sera, au choix et aux frais de Jabra, de réparer ou de remplacer le Produit de sorte que celui-ci soit en substance conforme aux spécifications publiées à la date d'acquisition par l'Acheteur ou bien, si Jabra détermine à sa seule discrétion qu'il n'est pas possible de réparer ou de remplacer le Produit, Jabra pourra, à son gré, rembourser à l'Acheteur le prix d'achat payé pour le Produit. CE QUI PRECEDE EST LE SEUL ET UNIQUE RECOURS DE L'ACHETEUR EN CAS DE VIOLATION DE LA GARANTIE PAR JABRA

CONCERNANT LE PRODUIT. La garantie stipulée ci-dessus ne s'appliquera à aucun Produit n'ayant pas été utilisé ou manipulé de manière adéquate, conformément aux instructions fournies par Jabra, perdu ou égaré pour quelque raison que ce soit, modifié, réparé ou transformé, sauf par Jabra ou dans les installations de service agréées de Jabra, ayant fait l'objet d'une installation défectueuse, d'une mauvaise utilisation ou d'un usage abusif, ou lorsque le défaut du Produit est imputable à un défaut ou à un dommage échappant au contrôle raisonnable de Jabra. La présente garantie ne s'applique qu'à l'Acheteur et ne s'étend à aucun distributeur, détaillant ou autre revendeur du Produit. Cette garantie n'est applicable qu'aux nouveaux produits Jabra achetés auprès de revendeurs agréés. Elle n'est pas applicable aux achats de « seconde main », à savoir aux rachats par des tiers privés ou tout autre type de rachat par des distributeurs non-agrégés. Toute cession de produits Jabra par le biais de tout distributeur non-agrégé rend caduque notre garantie de fabricant. AVERTISSEMENT À L'ACHETEUR : tout produit Jabra vendu par un tiers privé ou par un distributeur non autorisé et non par un détaillant agréé Jabra est vendu « en l'état » et « tous défauts compris » concernant Jabra.

À ce titre, la totalité du risque en matière de qualité et de fonctionnement de ces produits sera à la charge de l'Acheteur si le distributeur non-agrégé refuse de prendre en charge les frais de réparation impliqués en cas de défaut de fonctionnement. Si ces produits s'avèrent défectueux à la suite de leur achat, l'Acheteur ou le distributeur non-agrégé (et non le fabricant ou ses revendeurs agréés), devront supporter l'intégralité des frais d'entretien et de réparation requis. En conséquence, il est fortement conseillé aux acheteurs de n'acheter les produits Jabra qu'auprès de revendeurs dûment agréés par la marque.

LES GARANTIES CI-DESSUS SONT LES SEULES GARANTIES, EXPRESSES OU IMPLICITES, ACCORDEES PAR JABRA EN LIAISON AVEC LE PRODUIT, ET JABRA REJETTE TOUTES AUTRES GARANTIES, Y COMPRIS LES GARANTIES DE QUALITE MARCHANDE, D'ADEQUATION A UN OBJET PARTICULIER ET DE NON-CONTREFAÇON DE DROIT DES TIERS. JABRA NE SERA RESPONSABLE D'AUCUN DOMMAGES SPECIAUX, ACCIDENTELS OU CONSECUTIFS SURVENUS EN LIAISON AVEC LE PRODUIT, ET CELA MEME SI JABRA A ETE INFORMEE DE L'EVENTUALITE DE TELS DOMMAGES. LA RESPONSABILITE DE JABRA EN VERTU DES PRESENTES POUR TOUTE DEMANDE EN INDEMNISATION N'EXCEDERA PAS LE MONTANT PAYE A JABRA PAR L'ACHETEUR POUR LE PRODUIT A L'ORIGINE DE LA RESPONSABILITE DE JABRA.

10 Certification et agréments en matière de sécurité

FCC

Cet appareil est conforme à la partie 15 de la réglementation FCC. Le fonctionnement est soumis aux deux conditions suivantes : (1) Cet appareil ne peut pas provoquer d'interférences nocives ; et (2) cet appareil doit accepter toute interférence à la réception, y compris une interférence susceptible de provoquer un fonctionnement non-désiré.

Il est interdit aux utilisateurs d'apporter des changements ou de modifier cet appareil en aucune manière. Les changements ou modifications qui n'auront pas été expressément approuvés par Jabra (GN Netcom) rendront caduc le droit des utilisateurs à faire fonctionner cet équipement.

Cet équipement a été testé et considéré comme conforme aux conditions restrictives relatives à un appareil numérique de classe B, en vertu de la section 15 de la Réglementation de la FCC. Ces conditions restrictives sont conçues pour fournir une protection raisonnable contre les interférences nocives dans le cadre d'une installation résidentielle. Cet équipement produit, utilise et émet une énergie de fréquence radio électrique. S'il n'est pas installé et utilisé conformément aux instructions, il est susceptible de produire des interférences nocives pour les communications radio. Il n'est cependant aucunement garanti que des interférences ne se produiront pas dans une installation donnée. Si l'équipement provoque effectivement des interférences indésirables au niveau de la réception radio ou télévision (ce qui pourra être déterminé en mettant l'appareil en marche et en l'éteignant), l'utilisateur est encouragé à essayer de corriger ces interférences par l'une ou plusieurs des mesures suivantes :

- réorienter et repositionner l'antenne de réception
- augmenter l'espace entre l'équipement et le récepteur
- brancher l'équipement sur une prise d'un circuit différent de celui sur lequel le récepteur est branché
- consulter le détaillant ou bien un technicien radio/TV expérimenté pour obtenir de l'aide

Pour respecter les normes d'exposition RF FCC, l'utilisateur doit positionner la base à 20 cm (8 pouces) ou plus de tout employé.

Industrie Canada

Le fonctionnement est soumis aux deux conditions suivantes : (1) Cet appareil ne peut pas provoquer d'interférences nocives ; et (2) cet appareil doit accepter toute interférence, y compris une interférence susceptible de provoquer un fonctionnement non désiré de l'appareil.

La mention « IC » : précédant le numéro de certification et/ou d'immatriculation signifie uniquement que l'immatriculation a été effectuée sur la base d'une déclaration de conformité indiquant que les spécifications techniques Industrie Canada ont bien été respectées. Le terme n'implique pas un agrément de l'équipement par Industrie Canada.

CE

Ce produit porte le marquage CE conformément aux dispositions de la Directive 1999/5/CE (R&TTE).

GN Netcom déclare par la présente que ce produit est conforme aux principales exigences et autres dispositions pertinentes de la Directive 1999/5/CE.

Pour de plus amples informations, nous vous invitons à visiter le site <http://www.gnnetcom.com>

Nous vous signalons par ailleurs que ce produit utilise des bandes de radiofréquences qui ne sont pas harmonisées au sein de l'Union Européenne. Au sein de l'Union Européenne, ce produit est destiné à être utilisé en Allemagne, Autriche, Belgique, Danemark, Espagne, Finlande, France, Grèce, Irlande, Italie, Luxembourg, Pays-Bas, Portugal, Royaume-Uni, Suède, ainsi qu'au sein de l'AELE en Islande, Norvège et Suisse.

Bluetooth

La marque et le logo *Bluetooth*® sont la propriété de Bluetooth SIG, Inc. et toute utilisation de telles marques par GN Netcom est sous licence. Toutes autres marques et dénominations commerciales appartiennent à leurs propriétaires respectifs.

11 Glossaire

- 1 Bluetooth** est une technologie radio mise au point pour raccorder des périphériques tels que des téléphones mobiles ou des casques, sans aucun fil ni câble, sur une courte distance d'environ 10 mètres. Vous trouverez des compléments d'information à ce sujet sur le site www.bluetooth.com
- 2 Les profils Bluetooth** sont des protocoles par le biais desquels les appareils Bluetooth communiquent avec d'autres périphériques. Pour fonctionner avec le Jabra BT110, votre téléphone doit être compatible mains libres ou casque.
- 3 L'appairage** crée un lien de communication unique et crypté entre deux appareils Bluetooth. Il leur permet de communiquer entre eux. Les appareils Bluetooth ne fonctionnent pas s'ils n'ont pas été appairés ensemble.
- 4 Le mot de passe ou code PIN** est un code secret qui doit être enregistré sur le téléphone pour permettre l'appairage du téléphone mobile et du Jabra BT110. Une fois que vous avez appairé votre téléphone mobile et le Jabra BT110, ils se reconnaissent automatiquement et le téléphone ignore la procédure de détection et d'authentification pour accepter automatiquement la transmission.
- 5 Le mode veille** correspond au moment où le Jabra BT110 est utilisé conjointement avec le Jabra A210 et qu'il attend passivement l'appel. Lorsque vous « mettez fin » à un appel sur votre téléphone mobile, le casque passe automatiquement en mode veille. Le voyant jaune signale que l'appareil est en mode veille en clignotant toutes les 3 secondes.

Español

Gracias	26
1. Cómo empezar	27
2. Uso del auricular Jabra BT110	29
3. Uso del Jabra BT110 con el adaptador Bluetooth Jabra A210	30
4. Indicadores de estado LED	30
5. Colocación del auricular	31
6. Solución de problemas y preguntas frecuentes	31
7. ¿Necesita más ayuda?	32
8. Almacenamiento del Jabra BT110	32
9. Garantía	32
10. Certificación y autorizaciones de seguridad	34
11. Glosario	35

Gracias

Gracias por comprar el Auricular Bluetooth® Jabra BT110; esperamos que quede totalmente satisfecho con su operación. El Jabra BT110 ofrece una forma sencilla y fácil de disfrutar de su teléfono móvil Bluetooth en modo manos libres. El Jabra BT110 está diseñado para ser cómodo - puede llevarlo puesto todo el día - y proporciona hasta 15 horas de tiempo de conversación con una sola pila AAA.

Por favor, lea el manual de instrucciones antes de empezar.

! Seguridad al volante

El uso de teléfonos móviles mientras se conduce crea una distracción para el conductor, lo cual puede aumentar la posibilidad de sufrir un accidente.

Mientras utiliza el teléfono al volante, limite la duración de su conversación y no tome notas ni lea documentos. Antes de contestar una llamada, tenga en cuenta las circunstancias. Salga de la carretera y aparque antes de hacer o contestar una llamada si las condiciones de conducción lo aconsejan (por ejemplo, mal tiempo, circulación muy densa, presencia de niños en el automóvil, cruces complicados o maniobras difíciles.)

Recuerde, ¡lo primero es la carretera, no la llamada!

Observe la legislación local.

Descripción general del Jabra BT110

- 1 Botón contestar/terminar llamada
- 2 Indicador amarillo (LED) de emparejado y estado de la pila
- 3 Control de volumen
- 4 Panel de la pila
- 5 MiniGel™

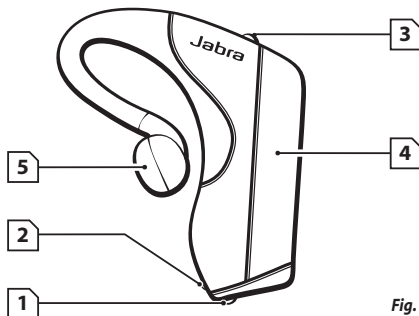


Fig. 1

Resumen de funciones

- Hasta 15 horas de conversación con una sola pila AAA
- Se apaga automáticamente para prolongar la vida de la pila
- El peso total, incluida la batería, es de tan sólo 26 gramos
- Alcance máximo de 10 metros (33 pies)
- Bluetooth¹ (Ver **glosario**) versión 1.2
- Perfiles Bluetooth² de auricular y de manos libres
- Funciones:
 - Contestar llamada
 - Terminar llamada
 - Soporta marcación por voz (depende del teléfono)
 - Rechazar llamada

Su Jabra BT110 es compatible con la mayoría de los teléfonos móviles Bluetooth. Usted puede comprobar la compatibilidad Bluetooth de su teléfono visitando el sitio web del fabricante de su teléfono o el sitio web de Jabra (www.jabra.com).

ANTES DE USAR SU AURICULAR BLUETOOTH Jabra BT110

El Jabra BT110 está diseñado para ser sencillo de operar, con un mínimo de botones de control. El botón contestar/terminar del auricular ofrecerá operaciones alternativas, dependiendo de la duración de la pulsación.

Instrucción:	Duración de la pulsación:
Golpe seco	Pulsar brevemente
Pulse	Aprox: 1 segundo
Pulse y mantenga pulsado	Aprox: 5 segundos

1 Cómo empezar

Para que su Jabra BT110 funcione con su teléfono móvil Bluetooth, usted debe establecer una conexión entre ambos dispositivos:

1. Inserte una pila AAA

Abra el compartimento de la pila deslizando el panel de la pila según muestra la Fig. 2

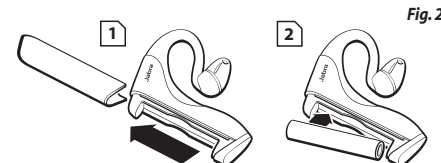


Fig. 2

2. Emparejado³

El Jabra BT110 entra en modo de emparejado cada vez que se inserta/cambia una pila. E el indicador amarillo se encenderá, permaneciendo encendido durante aproximadamente 5 minutos. Durante este tiempo el auricular puede ser emparejado³ (conectado) con su teléfono móvil.

Para salir de este modo y continuar con el uso normal, simplemente golpee brevemente el botón contestar/terminar.

❗ **NOTA:** Usted sólo necesita emparejar los dos dispositivos cuando quiere conectar su BT110 con su teléfono móvil por primera vez.

3. Haga que su teléfono Bluetooth “descubra” el Jabra BT110

Siga la guía de instrucciones de su teléfono. Normalmente, tendrá que ir al menú “configuración”, “conexión” o “Bluetooth” de su teléfono y luego seleccionar la opción correspondiente para “descubrir” un dispositivo Bluetooth*. (Ver en la Fig. 3 un ejemplo con el Sony Ericsson T610)



Fig. 3

4. Su teléfono encontrará el “Jabra BT110”

El teléfono luego le pregunta si desea realizar el emparejado. Confirme pulsando “sí” u “ok”.

5. Introduzca el código secreto o el PIN⁴ = 0000 (4 ceros), luego pulse “sí” u “ok”

6. Si el emparejado se realizó con éxito

El indicador amarillo (LED) parpadeará rápidamente durante un breve periodo antes de apagarse.

7. Si el emparejado no se realizó con éxito

El indicador seguirá encendido de forma continua, y usted tendrá que intentar el emparejado de nuevo.

Después de cinco minutos de estar encendido de forma continua, el indicador amarillo se apagará automáticamente, hubiera o no éxito en el emparejado. Para reactivar el modo de emparejado, retire y vuelva a insertar la pila.

* Puede encontrar instrucciones online específicas de emparejado para determinados teléfonos en www.jabra.com/fscs

2 Uso del auricular Jabra BT110

Ahora puede usar su auricular Jabra BT110.

1. Para contestar una llamada directamente desde su teléfono móvil

Pulse el botón contestar del teclado de su teléfono. Luego puede transferir la llamada a su auricular dando un golpe seco en el botón contestar/terminar del auricular.

2. Para contestar una llamada directamente desde su auricular

Golpee una vez el botón contestar/terminar del auricular.

Si desea contestar la llamada directamente en el auricular, el tiempo necesario para transferir la llamada desde el teléfono móvil al auricular dependerá del modelo de teléfono. Para evitar perder llamadas, recomendamos que conteste las llamadas con su teléfono móvil y luego transfiera la llamada según se ha descrito anteriormente.

3. Para terminar una llamada

Golpee brevemente el botón terminar de su teléfono móvil o el botón contestar/terminar del auricular.

4. Para hacer una llamada

Utilice el teclado del teléfono móvil para marcar el número, y golpee una vez el botón contestar/terminar llamadas del auricular para transferir la llamada al Jabra BT110.

5. Marcación por voz (si su teléfono soporta esta función)

La función de marcación por voz se activa golpeando el botón contestar/terminar. Si desea más información sobre el uso de esta función, por favor consulte el manual del usuario de su teléfono. Obtendrá los mejores resultados grabando la etiqueta de marcación por voz mediante el auricular.

6. Rechazar llamada

Para rechazar una llamada entrante, pulse el botón contestar/terminar.

7. Para prolongar al máximo la vida de las pilas

El Jabra BT110 ha sido diseñado para proporcionarle el máximo tiempo de conversación posible, hasta 15 horas (dependiendo del modelo de la pila AAA y del teléfono). Para maximizar la vida de la pila, el Jabra BT110 se apaga automáticamente después de cada llamada.

3 Uso del Jabra BT110 con el Adaptador Bluetooth Jabra A210

Para emparejar el Jabra BT110 con el Jabra A210

Encienda el Jabra BT110 y el Jabra A210 y coloque los dos dispositivos muy cerca de uno del otro.

Ponga el adaptador en modo de emparejado para que se conecte con el auricular. Consulte el manual de usuario del adaptador si desea más información.

Cómo encender y apagar el auricular

Si utiliza su Jabra BT110 con el Adaptador Bluetooth Jabra A210, el auricular no se encenderá ni se apagará automáticamente, sino que permanecerá en modo de espera⁵. Si deja encendido el dispositivo se verá afectada la vida de la pila. Usted puede encender y apagar manualmente el auricular siguiendo estas instrucciones.

- Para encender el auricular, pulse el botón contestar/terminar
- Para apagar el auricular, pulse y mantenga pulsado el botón contestar/terminar (aprox. 5 seg.)

Cómo hacer/contestar una llamada

- Cuando usted hace una llamada desde su teléfono móvil, la llamada será transferida automáticamente al auricular (si está encendido) – usted no tiene que golpear el botón contestar/terminar
- Puede contestar una llamada en el auricular o en el teléfono móvil. Siempre que su auricular esté en modo de espera, la llamada se transferirá inmediatamente al auricular

1 IMPORTANTE: Evite utilizar los tonos de teclado del teléfono móvil mientras utiliza el adaptador Bluetooth Jabra A210. Los tonos activarían el adaptador y por tanto desgastarán la pila.

4 Indicadores de estado LED

Su Jabra BT110 tiene un indicador amarillo (LED) que proporciona información útil.

- Cuando usted inserta o cambia la pila y enciende el auricular, el LED amarillo se enciende de forma continua. Esto significa que el auricular está en modo de emparejado
- Cuando el nivel de la pila es bajo, el LED amarillo parpadea dos veces cada 5 segundos. Entonces usted debe cambiar la pila
- Si utiliza el Jabra BT110 con el Jabra A210, el LED amarillo indicará que está 'Encendido' parpadeando cada 3 segundos

5 Colocación del auricular

El Jabra BT110 viene preparado para llevarse en la oreja derecha. Si usted prefiere la izquierda, gire el MiniGel cuidadosamente un ángulo de 180°.

Para obtener un rendimiento óptimo, lleve el Jabra BT110 y su teléfono móvil en el mismo lado de su cuerpo o en línea visual directa. En general, usted obtendrá mejores resultados si no hay obstrucción alguna entre el auricular y el teléfono móvil.

6 Solución de problemas y preguntas frecuentes

Si oye "crujidos";

Para obtener la mejor calidad de audio, lleve siempre el auricular en el mismo lado del cuerpo que el teléfono móvil.

Si no oye nada en el auricular;

1. Aumente el volumen del auricular.
2. Asegúrese de que el auricular está emparejado con el teléfono.
3. Asegúrese de que el teléfono se conecta con el auricular – si no se conecta desde el menú Bluetooth del teléfono, o golpeando suavemente en el botón contestar/terminar, realice el procedimiento de emparejado.

¿Funciona el Jabra BT110 con otros equipos Bluetooth?

El Jabra BT110 está diseñado para funcionar con teléfonos móviles Bluetooth. También puede funcionar con otros dispositivos Bluetooth que sean compatibles con la especificación Bluetooth versión 1.1 o 1.2 y que soporten el perfil de auricular y/o manos libres.

¿Puede interferir mi Jabra BT110 con la radio, el ordenador o el sistema electrónico de mi automóvil?

El Jabra BT110 produce bastante menos potencia que un teléfono móvil típico. Asimismo, únicamente emite señales que cumplen el estándar internacional Bluetooth. Por tanto, usted no debe experimentar interferencia alguna con equipos electrónicos normales de consumo.

Tengo problemas de emparejado, aunque mi teléfono indica lo contrario

Si usted ha borrado la conexión de emparejado entre el auricular y el teléfono móvil, la única manera de emparejar con éxito el Jabra BT110 con su teléfono móvil es siguiendo las instrucciones de emparejado de la Sección 1 'Cómo empezar'.

7 ¿Necesita más ayuda?

1. Web: www.jabra.com/fscs (información de asistencia más reciente, y manuales de usuario en línea).
2. E-mail: Asistencia técnica: techsupp@jabra.com
Información: info@jabra.com
3. Teléfono: 1 (800) 327-2230 (teléfono gratuito en EE.UU. y Canadá)
(858) 622-9955
4. Horario de asistencia: Lunes a viernes, 08:00 a 17:00, Hora estándar del pacífico (Pacific Standard Time).

8 Almacenamiento del Jabra BT110

1. Guarde siempre el Jabra BT100 apagado y en un lugar seguro.
2. Evite guardarlo en lugares en los que se alcanzan temperaturas elevadas (por encima de los 45°C / 113°F) – tales como a la luz del sol. (El almacenamiento a altas temperaturas puede reducir el rendimiento y la vida de la pila.) A temperatura baja (hasta -10°C / 14°F) se acortará la vida de las pilas y puede verse afectada la operación, pero el Jabra BT110 no debe sufrir daños permanentes.
3. No exponga el Jabra BT110 a la lluvia o a otros líquidos.

9 Garantía

Garantía limitada de productos Jabra. Jabra garantiza al Comprador que durante un periodo de un (1) año a partir de la fecha de la compra (el "Periodo de Garantía") de cualquier producto Jabra ("Producto") por el Comprador, el Producto cumplirá de forma sustancial las especificaciones publicadas de Jabra correspondientes al Producto en la fecha de la compra del Producto por parte del Comprador, con arreglo a los términos aquí contenidos. El Comprador notificará a Jabra de cualquier incumplimiento durante el Periodo de Garantía y obtendrá de Jabra una autorización escrita de devolución de material ("RMA") y un número RMA para el producto no conforme, y devolverá el Producto no conforme a Jabra a la dirección siguiente: Jabra Corporation, 9171 Towne Centre Drive, Suite 500, San Diego, California 92122 EE.UU., con portes pagados, con una declaración que describa el incumplimiento. La obligación exclusiva de Jabra respecto a Productos no conformes será, a opción de Jabra y a su costa, la de reparar o sustituir dicho Producto para que cumpla de forma sustancial sus especificaciones publicadas en la fecha de la compra del Producto por parte del Comprador, o, si Jabra, a su sola discreción, determina que no es posible reparar o sustituir el Producto, Jabra puede, a opción de Jabra, reembolsar al Comprador el precio de

compra pagado por el Producto. LO ANTERIOR ES EL ÚNICO Y EXCLUSIVO REMEDIO DEL COMPRADOR RESPECTO A CUALQUIER INCUMPLIMIENTO DE LA GARANTÍA POR JABRA RESPECTO AL PRODUCTO. La garantía arriba descrita no será aplicable a producto alguno que no haya sido usado o manipulado correctamente de acuerdo con las instrucciones suministradas por Jabra, que haya sido perdido o extraviado por cualquier razón, o que haya sido modificado o reparado, salvo por Jabra o en una instalación de servicio técnico autorizado de Jabra, o que haya sido sometido a instalación errónea, mal uso, abuso, o cuyo defecto sea atribuible a cualquier fallo o daño que esté fuera del control razonable de Jabra. Esta garantía está disponible únicamente para el Comprador, y no es extensible a distribuidores, detallistas u otros vendedores del Producto. Esta garantía es aplicable únicamente a productos Jabra nuevos adquiridos en comercios minoristas autorizados. Esta garantía no es aplicable a: compras de "caja abierta", reventa por personas físicas o cualquier otra compra a terceros por distribuidores no autorizados. La transferencia de productos Jabra a través de cualquier distribuidor no autorizado deja nuestra garantía nula y sin efecto. ADVERTENCIA AL COMPRADOR: cualquier producto Jabra vendido por una persona física o un distribuidor no autorizado y no por un comercio minorista autorizado por Jabra se vende "tal cual" o "con todos sus fallos" con respecto a Jabra. Como tal, el comprador soportará todo riesgo respecto a la calidad y el rendimiento de dichos productos si el distribuidor no autorizado no cubre el coste de la reparación de defectos. Si dichos productos resultan defectuosos después de su compra, el comprador o el distribuidor no autorizado, y no el fabricante o sus comercios minoristas autorizados, asumirán el coste total de cualquier trabajo necesario de mantenimiento o reparación. Por lo tanto, se recomienda encarecidamente a los compradores que adquieran productos Jabra únicamente en comercios minoristas autorizados.

LAS GARANTÍAS ANTERIORES SON LAS ÚNICAS GARANTÍAS, EXPRESAS O IMPLÍCITAS, DADAS POR JABRA RESPECTO AL PRODUCTO, Y JABRA RECHAZA TODA OTRA GARANTÍA, INCLUYENDO GARANTÍAS DE MERCANTIBILIDAD, ADECUACIÓN PARA UN PROPÓSITO DETERMINADO Y NO INFRACCIÓN DE DERECHOS DE TERCEROS. JABRA NO SERÁ RESPONSABLE DE NINGÚN DAÑO ESPECIAL, INCIDENTAL O CONSECUENTE RESPECTO AL PRODUCTO, INCLUSO SI JABRA HA SIDO ADVERTIDO DE LA POSIBILIDAD DE DICHOS DAÑOS. LA RESPONSABILIDAD DE JABRA BAJO ESTA GARANTÍA RESPECTO A TODA RECLAMACIÓN NO SUPERARÁ EL IMPORTE PAGADO POR EL COMPRADOR A JABRA POR EL PRODUCTO QUE DÉ LUGAR A LA RESPONSABILIDAD DE JABRA.

10 Certificación y autorizaciones de seguridad

FCC

Este dispositivo cumple la Parte 15 de la Normativa FCC. Su operación está sujeta a las siguientes dos condiciones: (1) Este dispositivo no debe causar interferencias dañinas, y (2) este dispositivo debe aceptar cualquier interferencia recibida, incluyendo interferencias que causen una operación no deseada.

No se permite a los usuarios efectuar cambios o modificar el dispositivo de modo alguno. Cualquier cambio o modificación no expresamente autorizado por Jabra (GN Netcom) invalidará la autorización del usuario para utilizar el equipo.

Este equipo ha sido probado y se ha verificado que cumple los límites de un dispositivo digital de la Clase B, conforme con la parte 15 de la normativa FCC. Estos límites están diseñados para proporcionar protección razonable contra interferencias dañinas en una instalación residencial. Este equipo genera, utiliza y puede radiar energía de radiofrecuencia y, en caso de no instalarse y utilizarse de acuerdo con las instrucciones, puede causar interferencia dañina en las comunicaciones por radio. No obstante, no hay garantía de que no se produzcan interferencias en una instalación determinada. Si este equipo causa interferencias dañinas a la recepción de radio o televisión, lo cual puede determinarse encendiendo y apagando el equipo, se recomienda al usuario intentar corregir la interferencia con una o más de las siguientes medidas:

- Reorientar o reubicar la antena de recepción
- Aumentar la separación entre el equipo y el receptor
- Conectar el equipo a un enchufe o un circuito diferente del enchufe o circuito al que está conectado el receptor
- Consultar con el distribuidor o con un técnico experimentado en radio/televisión

El usuario debe colocar la base a 20cm (8") o más de cualquier persona con el fin de cumplir los requisitos de exposición RF de la FCC.

Industry Canada (Ministerio de Industria del Canadá)

Su operación está sujeta a las siguientes dos condiciones: (1) Este dispositivo no debe causar interferencias, y (2) Este dispositivo debe aceptar cualquier interferencia, incluyendo interferencias que causen una operación no deseada del dispositivo.

El término "IC." que antecede al número de certificación/registro significa únicamente que el registro realizado se basó en una Declaración de Conformidad que indicaba el cumplimiento de las especificaciones técnicas de Industry Canada. No implica que Industry Canada haya aprobado el equipo.

CE

Este producto lleva la marca CE de acuerdo con las provisiones de la Directiva 1999/5/CE sobre RTTE.

Por el presente, GN Netcom declara que este producto cumple los requisitos esenciales y otras provisiones pertinentes de la Directiva 1999/5/CE. Para más información por favor consulte <http://www.gnnetcom.com>

Por favor, observe que este producto utiliza bandas de radiofrecuencias no armonizadas dentro de la UE. Dentro de la UE, este producto está diseñado para ser usado en Alemania, Austria, Bélgica, Dinamarca, España, Finlandia, Francia, Grecia, Irlanda, Italia, Luxemburgo, Países Bajos, Portugal, Reino Unido, Suecia, y dentro de la EFTA en Islandia, Noruega y Suiza.

Bluetooth

La marca literal y los logotipos *Bluetooth* son propiedad de Bluetooth SIG, Inc, y cualquier uso de dichas marcas por GN Netcom se hace bajo licencia. Otras marcas y nombres comerciales son propiedad de sus respectivos titulares.

11 Glosario

- 1 Bluetooth** es una tecnología de radio desarrollada para conectar dispositivos tales como teléfonos móviles y auriculares, sin cables, a distancias cortas de hasta 10 metros (aproximadamente 30 pies). Para más información, visite www.bluetooth.com
- 2 Los perfiles Bluetooth** son protocolos mediante los cuales los dispositivos Bluetooth se comunican con otros dispositivos. Su teléfono debe soportar el perfil manos libres o auricular para que funcione con el Jabra BT110.
- 3 El emparejado** crea un enlace de comunicación exclusivo y encriptado entre dos dispositivos Bluetooth y permite que se comuniquen entre sí. Los dispositivos Bluetooth no funcionarán hasta que hayan sido emparejados.
- 4 El código secreto o PIN** es un código que se debe introducir en el teléfono para emparejar el móvil con el Jabra BT110. Una vez que haya emparejado su teléfono móvil con el auricular, el teléfono y el Jabra BT110 se reconocerán, y el teléfono pasará por alto el proceso de descubrimiento y autenticación, aceptando automáticamente la transmisión.
- 5 El Modo de espera** es cuando el Jabra BT110, usado conjuntamente con el Jabra A210, está esperando pasivamente una llamada. Cuando usted "termine" la llamada en su teléfono móvil, el auricular pasará al modo de espera. El LED amarillo indicará el modo de espera parpadeando cada 3 segundos.

© 2004 Jabra Corporation, a GN Netcom company. All rights reserved. Patents pending. Jabra and the Jabra logo are registered trademarks of Jabra Corporation in the USA and maybe registered in other countries. The *Bluetooth*® word mark and logos are owned by the Bluetooth SIG, Inc. and any use of such marks by Jabra is under license. Design and specifications subject to change without notice. The Jabra BT110 Bluetooth headset may not be authorised for use in some countries.

Jabra
BT 110

www.jabra.com

