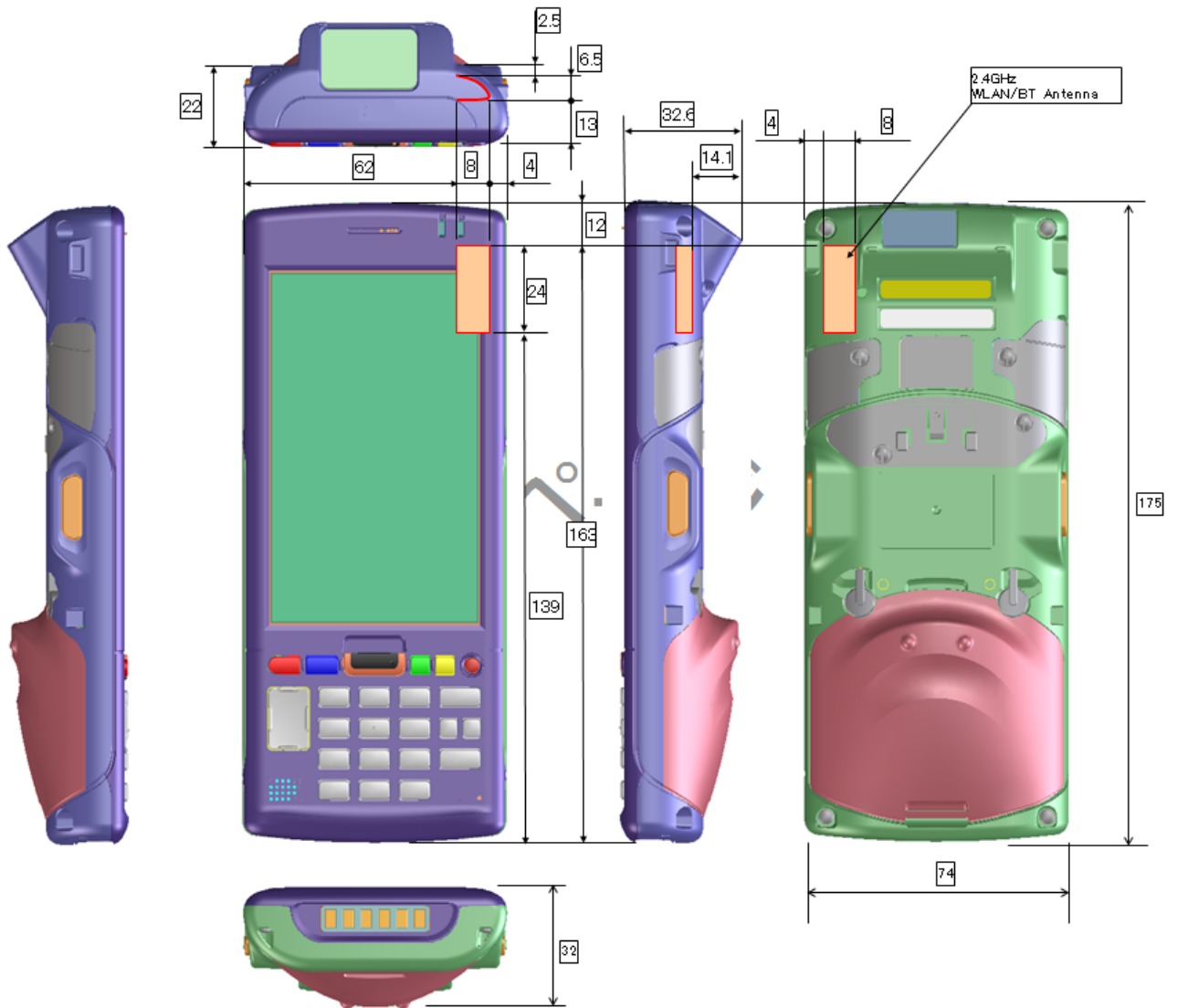


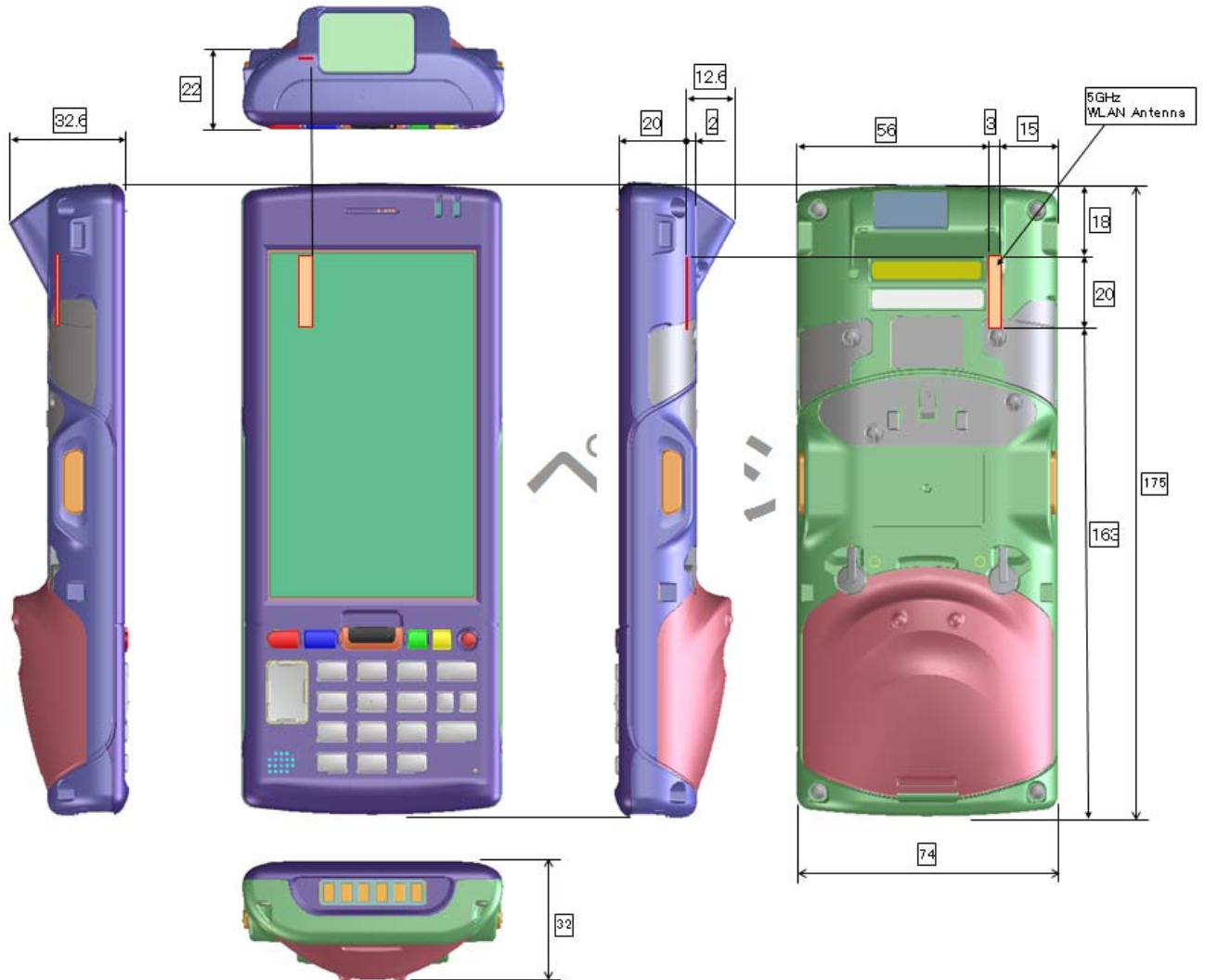
APPENDIX 4 : Photographs of test setup

1. Photographs of EUT



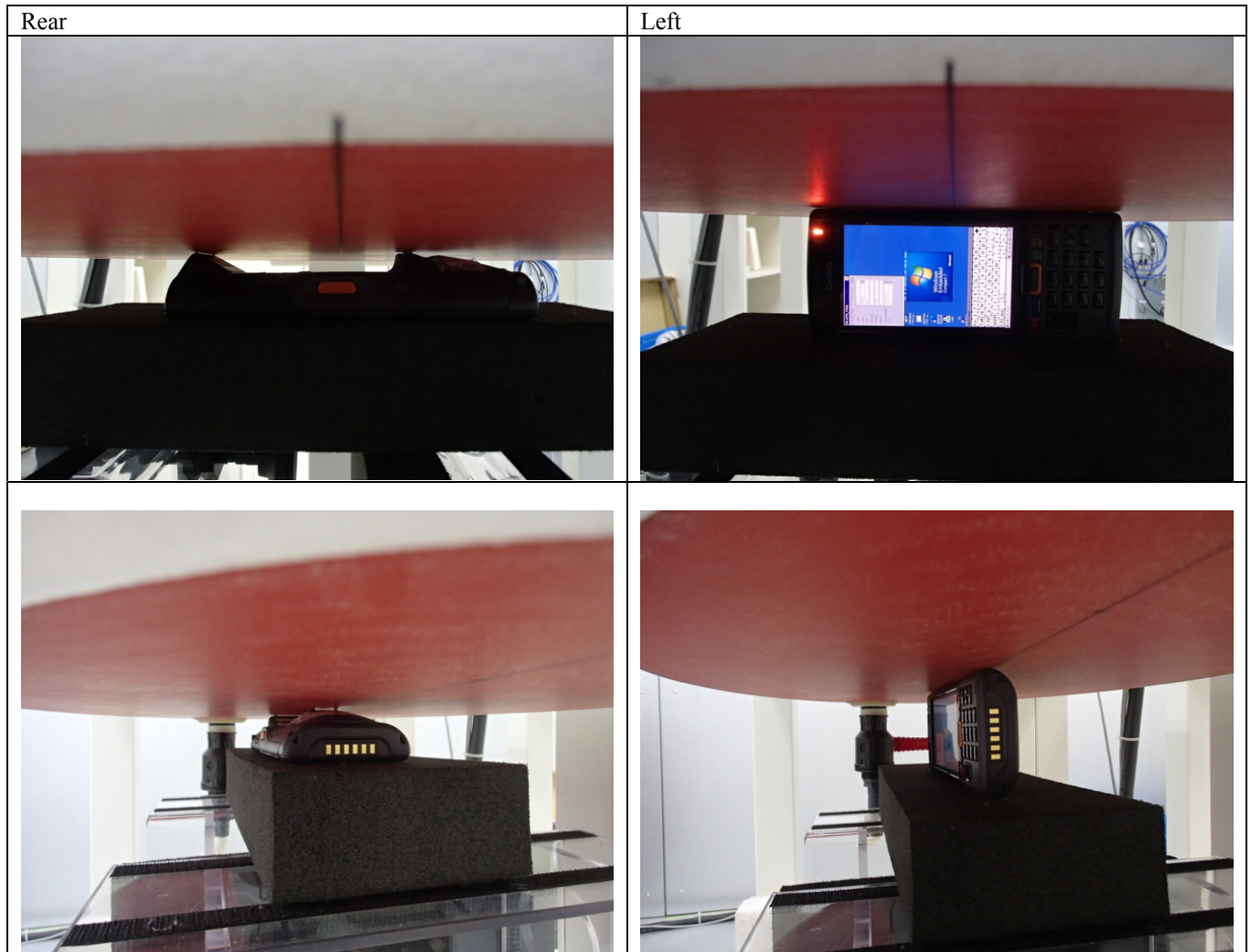
2. Antenna position

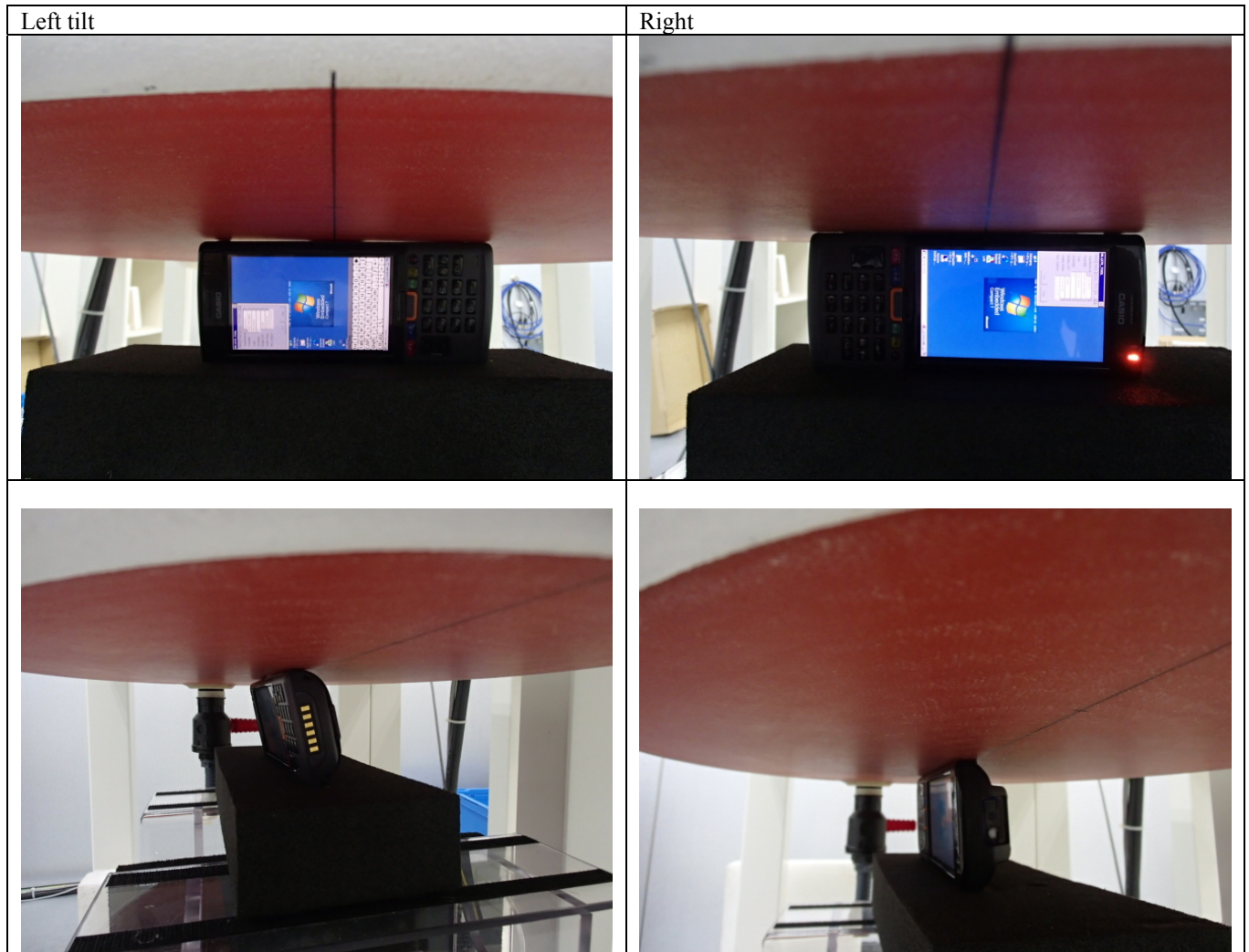




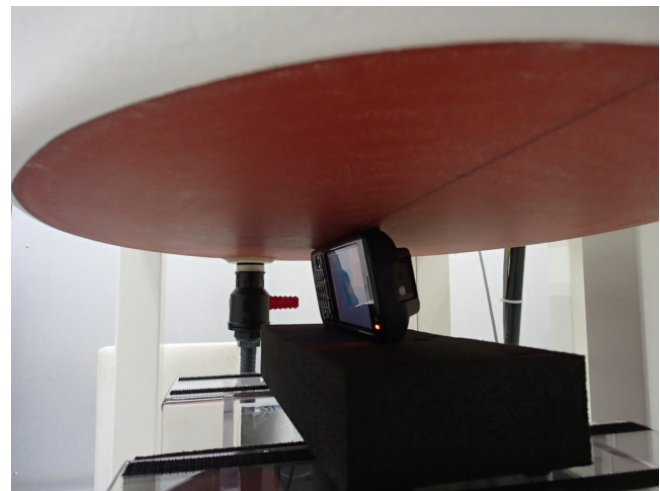
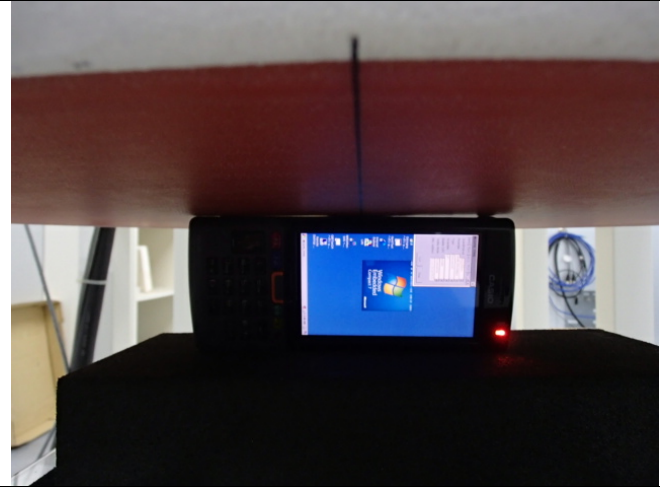
*This EUT has an option battery,
SAR exclusion calculation was made with a conservative distance.

3. Photographs of setup





Right tilt



End of Report