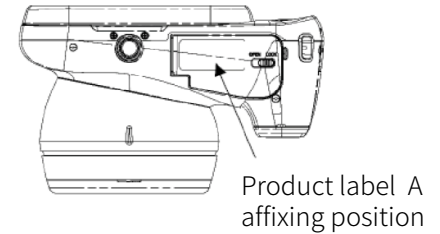
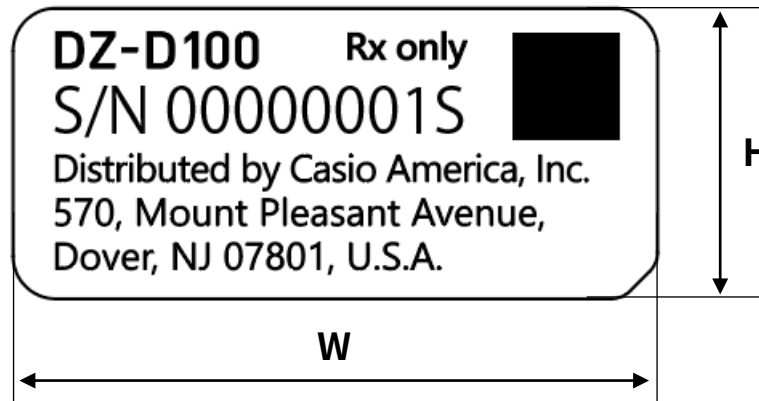


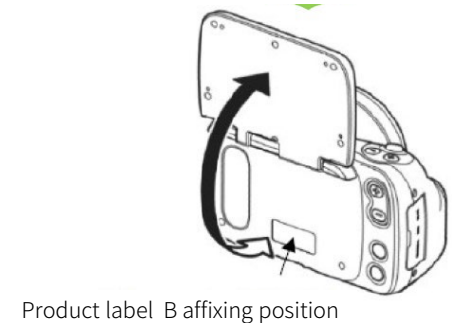
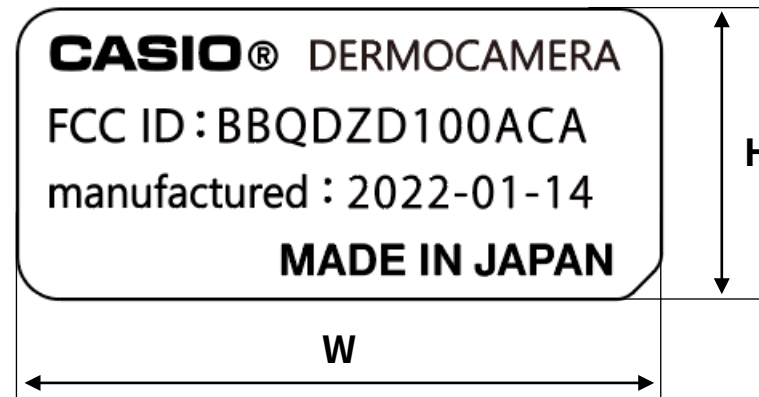
Product Label A

Label size  
W:27.3mm × H:12.3mm



Product Label B

Label size  
W:27.3mm × H:12.3mm



The statement in FCC 15.19 (a) appears in the manual for the following reasons:

- This device is limited to two places where labels can be attached due to the surface treatment of the housing, and the size is too small to display.
- This device cannot add the program required for electronic labeling to the system memory.

Rx only is required as a medical device and cannot be deleted ※.

※ Not related to wireless devices