



SAR TEST REPORT

REPORT NO.: SA930112A02B

MODEL NO.: DT-X5M30UR

(refer to page 5 for other models)

RECEIVED: Oct. 18, 2004

TESTED: Nov. 30, 2004

APPLICANT : Casio Computer Co. Ltd.

ADDRESS: 2951-5, Ishikawa-cho, Hachioji-shi Tokyo 192-8556, Japan

ISSUED BY: Advance Data Technology Corporation

LAB ADDRESS: No. 47, 14th Ling, Chia Pau Tsuen, Lin Kou Hsiang 244, Taipei Hsien, Taiwan, R.O.C.

TEST LOCATION: No. 19, Hwa Ya 2nd Rd., Wen Hwa Tsuen, Kwei Shan Hsiang, Taoyuan Hsien 333, Taiwan, R.O.C.

This test report consists of 38 pages in total except Appendix. It may be duplicated completely for legal use with the approval of the applicant. It should not be reproduced except in full, without the written approval of our laboratory. The client should not use it to claim product endorsement by CNLA, A2LA or any government agencies. The test results in the report only apply to the tested sample.





Table of Contents

1.	CERTIFICATION	3
2.	GENERAL INFORMATION	4
2.1	GENERAL DESCRIPTION OF EUT	4
2.2	GENERAL DESCRIPTION OF APPLIED STANDARDS.....	6
2.3	GENERAL INFORMATION OF THE SAR SYSTEM.....	6
2.4	GENERAL DESCRIPTION OF THE SPATIAL PEAK SAR EVALUATION	10
3.	DESCRIPTION OF TEST MODES AND CONFIGURATIONS.....	14
4.	DESCRIPTION OF SUPPORT UNITS	16
5.	TEST RESULTS.....	17
5.1	TEST PROCEDURES	17
5.2	MEASURED SAR RESULT	18
5.3	SAR LIMITS.....	19
5.4	RECIPES FOR TISSUE SIMULATING LIQUIDS	23
5.5	TEST EQUIPMENT FOR TISSUE PROPERTY.....	26
6.	SYSTEM VALIDATION.....	25
6.1	TEST EQUIPMENT	27
6.2	TEST PROCEDURE.....	27
6.3	VALIDATION RESULT	30
6.4	SYSTEM VALIDATION UNCERTAINTIES	31
7.	MEASUREMENT SAR PROCEDURE UNCERTAINTIES	32
7.1	PROBE CALIBRATION UNCERTAINTY	32
7.2	ISOTROPY UNCERTAINTY	32
7.3	BOUNDARY EFFECT UNCERTAINTY	33
7.4	PROBE LINEARITY UNCERTAINTY.....	33
7.5	READOUT ELECTRONICS UNCERTAINTY	33
7.6	RESPONSE TIME UNCERTAINTY	34
7.7	INTEGRATION TIME UNCERTAINTY.....	35
7.8	PROBE POSITIONER MECHANICAL TOLERANCE	35
7.9	PROBE POSITIONING	36
7.10	PHANTOM UNCERTAINTY.....	36
7.11	DASY4 UNCERTAINTY BUDGET	37
8.	INFORMATION ON THE TESTING LABORATORIES.....	38
APPENDIX A: TEST CONFIGURATIONS AND TEST DATA		
APPENDIX B: ADT SAR MEASUREMENT SYSTEM		
APPENDIX C: PHOTOGRAPHS OF SYSTEM VALIDATION		
APPENDIX D: SYSTEM CERTIFICATE & CALIBRATION		



1. CERTIFICATION

PRODUCT : Handheld Terminal
MODEL NO. : DT-X5M30UR
(refer to page 5 for other models)
BRAND NAME : CASIO
APPLICANT : Casio Computer Co. Ltd.
TESTED : Nov. 30, 2004
TEST SAMPLE : ENGINEERING SAMPLE
STANDARDS : FCC Part 2 (Section 2.1093), FCC OET Bulletin 65, Supplement C (01-01), RSS-102

The above equipment (model: DT-X5M30UR) has been tested by Advance Data Technology Corporation, and found compliance with the requirement of the above standards. The test record, data evaluation & Equipment Under Test (EUT) configurations represented herein are true and accurate accounts of the measurements of the sample's EMC characteristics under the conditions specified in this report.

PREPARED BY : Candice Chen, DATE: Dec. 06, 2004
(Candice Chen)

TECHNICAL ACCEPTANCE : Ansen Lei, DATE: Dec. 06, 2004
Responsible for RF (Ansen Lei)

APPROVED BY : Cody Chang, DATE: Dec. 06, 2004
(Cody Chang, Deputy Manager)



2. GENERAL INFORMATION

GENERAL DESCRIPTION OF EUT PRODUCT	Handheld Terminal
MODEL NO.	DT-X5M30UR
POWER SUPPLY	5.0Vdc from rechargeable Lithium battery(built-in)
CLASSIFICATION	Portable device, production unit
MODULATION TYPE	BPSK, QPSK, CCK GFSK
RADIO TECHNOLOGY	DSSS, FHSS
TRANSFER RATE	DSSS: 11/9/6/5.5/2/1 Mbps FHSS: 723Kbps
FREQUENCY RANGE	DSSS:2412MHz ~ 2462MHz FHSS:2402MHz ~ 2480MHz
NUMBER OF CHANNEL	DSSS:11 FHSS:79
MAXIMUN CONDUCTED OUTPUT POWER (FOR CCK)	30.20mW
MAXIMUN CONDUCTED OUTPUT POWER (FOR GFSK)	0.58mW
ANTENNA TYPE	DSSS: Inverted F antenna with 1.92dBi gain FHSS: Multi-layer Ceramic embedded antenna with 2.66dBi gain
AVERAGE SAR(1g) (FOR CCK)	0.72700W/kg
AVERAGE SAR(1g) (FOR GFSK)	0.00921W/kg
DATA CABLE	NA
I/O PORTS	IR port (non-contact)
ASSOCIATED DEVICES	NA

NOTE

1. The EUT is a Handheld Terminal with laser scanner version. The EUT uses two wireless technology for communication: Bluetooth and 802.11b standards.
2. The EUT operates in the 2.4GHz frequency spectrum and complies with FHSS & DSSS techniques.



3. The EUT provides hardware/physical signaling between Bluetooth and 802.11b functional block when they function at the same time.

4. There are four serial models provided to this EUT. Details as below:

Model	Remark
DT-X5M30U	With Bluetooth function only
DT-X5M20U	With Bluetooth function only
DT-X5M30UR	With Bluetooth function and CCK function
DT-X5M20UR	With Bluetooth function and CCK function

*In the report, we have chose model DT-X5M30UR for the rest.

5. The above EUT information was declared by manufacturer and for more detailed features description, please refer to the manufacturer's specifications or User's Manual.



2.1 GENERAL DESCRIPTION OF APPLIED STANDARDS

According to the specifications of the manufacturer, this product must comply with the requirements of the following standards:

- FCC Part 2 (2.1093)**
- FCC OET Bulletin 65, Supplement C (01- 01)**
- RSS-102**
- IEEE 1528-2003**

All test items have been performed and recorded as per the above standards.

2.2 GENERAL INFORMATION OF THE SAR SYSTEM

DASY4 (software 4.4 Build 3) consists of high precision robot, probe alignment sensor, phantom, robot controller, controlled measurement server and near-field probe. The robot includes six axes that can move to the precision position of the DASY4 software defined. The DASY4 software can define the area that is detected by the probe. The robot is connected to controlled box. Controlled measurement server is connected to the controlled robot box. The DAE includes amplifier, signal multiplexing, AD converter, offset measurement and surface detection. It is connected to the Electro-optical coupler (ECO). The ECO performs the conversion from the optical into digital electric signal of the DAE and transfers data to the PC.

ET3DV6 ISOTROPIC E-FIELD PROBE

Construction	Symmetrical design with triangular core. Built-in optical fiber for surface detection system. Built-in shielding against static charges. PEEK enclosure material (resistant to organic solvents, e.g., glycoether).
Calibration	Basic Broad Band Calibration in air: 10-2500 MHz Conversion Factors (CF) for HSL 900, HSL 1800, HSL2450, MSL 900, MSL 1800 and MSL2450. CF-Calibration for other liquids and frequencies upon request
Frequency	10 MHz to 3 GHz; Linearity: ± 0.2 dB (30 MHz to 3 GHz)
Directivity	± 0.2 dB in HSL (rotation around probe axis) ± 0.4 db in HSL (rotation normal to probe axis)
Dynamic Range	5 µW/g to > 100 mW/g; Linearity: ± 0.2 dB
Optical Surface Detection	± 0.2 mm repeatability in air and clear liquids over diffuse reflecting surfaces



Dimensions	Overall length: 330 mm (Tip Length: 16 mm) Tip diameter: 6.8 mm (Body diameter: 12 mm) Distance from probe tip to dipole centers: 2.7 mm
Application	General dosimetric measurements up to 3 GHz Compliance tests of mobile phones Fast automatic scanning in arbitrary phantoms (ET3DV6)
Sensitivity	X axis :1.87 μ V ; Y axis : 1.84 μ V ; Z axis : 1.64 μ V
Diode compression point	X axis : 95 mV ; Y axis : 95 mV ; Z axis : 95mV

Conversion Factor	Frequency range (MHz)	X axis	Y axis	Z axis
	800~950 (Head)	6.34	6.34	6.34
	800~950 (Body)	6.06	6.06	6.06
	1700~1910 (Head)	5.16	5.16	5.16
	1700~1910 (Body)	4.54	4.54	4.54
	2400~2500 (Head)	4.41	4.41	4.41
	2400~2500 (Body)	4.23	4.23	4.23

Boundary effect	Frequency range (MHz)	Alpha	Depth
	800~950 (Head)	0.38	2.58
	800~950 (Body)	0.52	2.10
	1700~1910 (Head)	0.46	2.71
	1700~1910 (Body)	0.52	2.88
	2400~2500 (Head)	0.90	1.93
	2400~2500 (Body)	1.04	1.62

NOTE

1. The Probe parameters have been calibrated by the SPEAG. Please reference "APPENDIX D" for the Calibration Certification Report.
2. For frequencies above 800 MHz, calibration in a rectangular wave-guide is used, because wave-guide size is manageable.
3. For frequencies below 800 MHz, temperature transfer calibration is used because the wave-guide size becomes relatively large.

TWIN SAM V4.0

Construction The shell corresponds to the specifications of the Specific Anthropomorphic Mannequin (SAM) phantom defined in IEEE 1528-2003, CENELEC 50361 and IEC 62209. It enables the dosimetric evaluation of left and right hand phone usage as well as body mounted usage at the flat phantom region. A cover prevents evaporation of the liquid. Reference markings on the phantom allow the complete setup of all predefined phantom positions and measurement grids by manually teaching three points with the robot.

Shell Thickness 2 ± 0.2 mm

Filling Volume Approx. 25 liters

Dimensions Height: 810 mm; Length: 1000 mm; Width: 500 mm

SYSTEM VALIDATION KITS: D900V2 – D2450V2

Construction Symmetrical dipole with 1/4 balun enables measurement of feedpoint impedance with NWA matched for use near flat phantoms filled with brain simulating solutions.
Includes distance holder and tripod adaptor

Calibration Calibrated SAR value for specified position and input power at the flat phantom in brain simulating solutions

Frequency 900, 1800, 1900, 2450 MHz

Return Loss > 20 dB at specified validation position

Power Capability > 100 W ($f < 1\text{GHz}$); > 40 W ($f > 1\text{GHz}$)

Options Dipoles for other frequencies or solutions and other calibration conditions upon request

Dimensions
D900V2: dipole length: 149 mm; overall height: 83.3mm
D1800V2: dipole length: 72 mm; overall height: 41.2 mm
D1900V2: dipole length: 68 mm; overall height: 39.5 mm
D2450V2: dipole length: 51.5 mm; overall height: 30.6 mm



DEVICE HOLDER FOR SAM TWIN PHANTOM

Construction

The device holder for the mobile phone device is designed to cope with different positions given in the standard. It has two scales for the device rotation (with respect to the body axis) and the device inclination (with respect to the line between the ear reference points). The rotation centers for both scales is the ear reference point (ERP). Thus the device needs no repositioning when changing the angles. The holder has been made out of low-loss POM material having the following dielectric parameters: relative permittivity $\epsilon = 3$ and loss tangent $\tan \delta = 0.02$. The amount of dielectric material has been reduced in the closest vicinity of the device, since measurements have suggested that the influence of the clamp on the test results could thus be lowered. The device holder for the portable device makes up of the polyethylene foam. The dielectric parameters of material close to the dielectric parameters of the air.

DATA ACQUISITION ELECTRONICS

Construction

The data acquisition electronics (DAE3) consists of a highly sensitive electrometer grade preamplifier with auto-zeroing, a channel and gain-switching multiplex, a fast 16 bit AD converter and a command decoder and control logic unit. Transmission to the measurement server is accomplished through an optical downlink for data and status information as well as an optical uplink for commands and the clock. The mechanical probe is mounting device includes two different sensor systems for frontal and sideways probe contacts. They are used for mechanical surface detection and probe collision detection. The input impedance of the DAE3 box is 200M Ω ; the inputs are symmetrical and floating. Common mode rejection is above 80 dB.



2.3 GENERAL DESCRIPTION OF THE SPATIAL PEAK SAR EVALUATION

The DASY4 post-processing software (SEMCAD) automatically executes the following procedures to calculate the field units from the micro-volt readings at the probe connector. The parameters used in the evaluation are stored in the configuration modules of the software:

Probe parameters:	- Sensitivity	Norm _i , a _{i0} , a _{i1} , a _{i2}
	- Conversion factor	ConvF _i
	- Diode compression point	dcp _i
Device parameters:	- Frequency	F
	- Crest factor	cf
Media parameters:	- Conductivity	
	- Density	

The first step of the evaluation is a linearization of the filtered input signal to account for the compression characteristics of the detector diode. The compensation depends on the input signal, the diode type and the DC-transmission factor from the diode to the evaluation electronics. If the exciting field is pulsed, the crest factor of the signal must be known to correctly compensate for peak power. The formula for each channel can be given as:

$$V_i = U_i + U_i^2 \cdot \frac{cf}{dcp_i}$$

V _i	=compensated signal of channel i	(i = x, y, z)
U _i	=input signal of channel I	(i = x, y, z)
cf	=crest factor of exciting field	(DASY parameter)
dcp _i	=diode compression point	(DASY parameter)

From the compensated input signals the primary field data for each channel can be evaluated:

$$\text{E-field probes : } E_i = \sqrt{\frac{V_i}{\text{Norm}_i \cdot \text{Conv}F}}$$

$$\text{H-field probes : } H_i = \sqrt{V_i} \cdot \frac{a_{i0} + a_{i1}f + a_{i2}f^2}{f}$$

- V_i = compensated signal of channel i ($i = x, y, z$)
 Norm_i = sensor sensitivity of channel i $\mu\text{V}/(\text{V}/\text{m})^2$ for E-field Probes ($i = x, y, z$)
 $\text{Conv}F$ = sensitivity enhancement in solution
 a_{ij} = sensor sensitivity factors for H-field probes
 F = carrier frequency [GHz]
 E_i = electric field strength of channel i in V/m
 H_i = magnetic field strength of channel i in A/m

The RSS value of the field components gives the total field strength (Hermitian magnitude):

$$E_{tot} = \sqrt{E_x^2 + E_y^2 + E_z^2}$$

The primary field data are used to calculate the derived field units.

$$SAR = E_{tot}^2 \cdot \frac{\sigma}{\rho \cdot 1'000}$$

- SAR = local specific absorption rate in mW/g
 E_{tot} = total field strength in V/m
 σ = conductivity in [mho/m] or [Siemens/m]
 ρ = equivalent tissue density in g/cm³



Note that the density is set to 1, to account for actual head tissue density rather than the density of the tissue simulating liquid. The entire evaluation of the spatial peak values is performed within the Post-processing engine (SEMCAD). The system always gives the maximum values for the 1 g and 10 g cubes. The algorithm to find the cube with highest averaged SAR is divided into the following stages:

1. The extraction of the measured data (grid and values) from the Zoom Scan
2. The calculation of the SAR value at every measurement point based on all stored data (A/D values and measurement parameters)
3. The generation of a high-resolution mesh within the measured volume
4. The interpolation of all measured values from the measurement grid to the high-resolution grid
5. The extrapolation of the entire 3-D field distribution to the phantom surface over the distance from sensor to surface
6. The calculation of the averaged SAR within masses of 1g and 10g.

The probe is calibrated at the center of the dipole sensors that is located 1 to 2.7mm away from the probe tip. During measurements, the probe stops shortly above the phantom surface, depending on the probe and the surface detecting system. Both distances are included as parameters in the probe configuration file. The software always knows exactly how far away the measured point is from the surface. As the probe cannot directly measure at the surface, the values between the deepest measured point and the surface must be extrapolated. The angle between the probe axis and the surface normal line is less than 30 degree.

In the Area Scan, the gradient of the interpolation function is evaluated to find all the extreme of the SAR distribution. The uncertainty on the locations of the extreme is less than 1/20 of the grid size. Only local maximum within -2 dB of the global maximum are searched and passed for the Cube Scan measurement. In the Cube Scan, the interpolation function is used to extrapolate the Peak SAR from the lowest measurement points to the inner phantom surface (the extrapolation distance). The uncertainty increases with the extrapolation distance. To keep the uncertainty within 1% for the 1 g and 10 g cubes, the extrapolation distance should not be larger than 5mm.



The maximum search is automatically performed after each area scan measurement. It is based on splines in two or three dimensions. The procedure can find the maximum for most SAR distributions even with relatively large grid spacing. After the area scanning measurement, the probe is automatically moved to a position at the interpolated maximum. The following scan can directly use this position for reference, e.g., for a finer resolution grid or the cube evaluations. The 1g and 10g peak evaluations are only available for the predefined cube 7x7x7 scans. The routines are verified and optimized for the grid dimensions used in these cube measurements. The measured volume of 30x30x30mm contains about 30g of tissue. The first procedure is an extrapolation (incl. Boundary correction) to get the points between the lowest measured plane and the surface. The next step uses 3D interpolation to get all points within the measured volume in a 1mm grid (42875 points). In the last step, a 1g cube is placed numerically into the volume and its averaged SAR is calculated. This cube is moved around until the highest averaged SAR is found. If the highest SAR is found at the edge of the measured volume, the system will issue a warning: higher SAR values might be found outside of the measured volume. In that case the cube measurement can be repeated, using the new interpolated maximum as the center.

3. DESCRIPTION OF TEST MODES AND CONFIGURATIONS

CARRIER MODULATION UNDER TEST	CCK, GFSK
CREST FACTOR	1.0
CHANNEL FREQUENCIES UNDER TEST AND ITS CONDUCTED OUTPUT POWER	28.84mW / Ch1: 2412MHz For CCK 30.20mW / Ch6: 2437MHz For CCK 29.65mW / Ch11: 2462MHz For CCK 0.58mW / Ch0: 2402MHz For GFSK 0.41mW / Ch39: 2441MHz For GFSK 0.36mW / Ch78: 2480MHz For GFSK
ANTENNA CONFIGURATION	Multi-layer Ceramic embedded antenna and Inverted F antenna
ANTENNA POSITION	Inside the top cover, near the right side of top cover
EUT POWER SOURCE	From Host
HOST POWER SOURCE	Fully Charged Battery

The following test configurations have been applied in this test report:

- Mode 1:** The bottom of EUT contact to the flat phantom. The transmitted antenna of the EUT located under the reference point of the flat phantom. The separation distance is 0mm between the bottom of the EUT and the bottom of the flat phantom. The area scan size is 7 x 8 points. The EUT used the fully charged battery. (for CCK modulation)
- Mode 2:** The tip of transmitted antenna contact to the flat phantom. The transmitted antenna of the EUT located under the reference point of the flat phantom. The separation distance is 0mm between the tip of the EUT and the bottom of the flat phantom. The area scan size is 6 x 9 points. The EUT used the fully charged battery. (for CCK modulation)
- Mode 3:** The front of EUT contact to the flat phantom. The transmitted antenna of the EUT located under the reference point of the flat phantom. The separation distance is 0mm between the front of the EUT and the bottom of the flat phantom. The area scan size is 7 x 8 points. The EUT used the fully charged battery. (for CCK modulation)
- Mode 4:** The bottom of EUT contact to the flat phantom. The transmitted antenna of the EUT located under the reference point of the flat phantom. The separation distance is 0mm between the bottom of the EUT and the bottom of the flat phantom. The area scan size is 7 x 8 points. The EUT used the fully charged battery. (for GFSK modulation)



Mode 5: The tip of transmitted antenna contact to the flat phantom. The transmitted antenna of the EUT located under the reference point of the flat phantom. The separation distance is 0mm between the tip of the EUT and the bottom of the flat phantom. The area scan size is 6 x 9 points. The EUT used the fully charged battery. (for GFSK modulation)

Mode 6: The front of EUT contact to the flat phantom. The transmitted antenna of the EUT located under the reference point of the flat phantom. The separation distance is 0mm between the front of the EUT and the bottom of the flat phantom. The area scan size is 7 x 8 points. The EUT used the fully charged battery. (for GFSK modulation)

Mode 7: The front of EUT contact to the flat phantom. The transmitted antenna of the EUT located under the reference point of the flat phantom. The separation distance is 0mm between the bottom of the EUT and the bottom of the flat phantom. The area scan size is 7 x 8 points. The EUT used the fully charged battery. (for CCK modulation and GFSK modulation transmitted at the same time)

NOTE:

1. Please reference "APPENDIX A" for the photos of test configuration.
2. All test modes have been complied with the body worn configuration.
3. The notebook has been installed the controlling software (provided by manufacturer) that could control the EUT transmitted channel and power. But that software is just for test software, not for normal user.
4. Test for both CCK and GFSK modulation.



4. DESCRIPTION OF SUPPORT UNITS

The EUT has been tested as an independent unit together with other necessary accessories or support units. The following support units or accessories were used to form a representative test configuration during the tests.

NO.	PRODUCT	BRAND	MODEL NO.	SERIAL NO.	FCC ID
1	NA	NA	NA	NA	NA

NO.	SIGNAL CABLE DESCRIPTION OF THE ABOVE SUPPORT UNITS
1	NA



5. TEST RESULTS

5.1 TEST PROCEDURES

The EUT (Handheld Terminal) use the software to control the EUT channel and transmission power. Then record the conducted power before the testing. Place the EUT to the specific test location. After the testing, must writing down the conducted power of the EUT into the report. The SAR value was calculated via the 3D spline interpolation algorithm that has been implemented in the software of DASY4 SAR measurement system manufactured and calibrated by SPEAG. According to the IEEE P1528 draft standards, the recommended procedure for assessing the peak spatial-average SAR value consists of the following steps:

- Power reference measurement
- Area scan
- Zoom scan
- Power reference measurement

The area scan with 15mm x 15mm grid was performed for the highest spatial SAR location. Consist of 7 x 8 points while the scan size is the 90mm x 105mm. The zoon scan with 30mm x 30mm x 30mm volume was performed for SAR value averaged over 1g and 10g spatial volumes.

In the zoon scan, the distance between the measurement point at the probe sensor location (geometric center behind the probe tip) and the phantom surface is 4.0 mm and maintained at a constant distance of ± 1.0 mm during a zoon scan to determine peak SAR locations. The distance is 4mm between the first measurement point and the bottom surface of the phantom. The secondary measurement point to the bottom surface of the phantom is with 9mm separation distance. The cube size is 7 x 7 x 7points consist of 343 points and the grid space is 5mm.

The measurement time is 0.5 s at each point of the zoon scan. The probe boundary effect compensation shall be applied during the SAR test. Because of the tip of the probe to the Phantom surface separated distances are longer than half a tip probe diameter.

In the area scan, the separation distance is 4mm between the each measurement point and the phantom surface. The scan size shall be included the transmission portion of the EUT. The measurement time is the same as the zoon scan. At last the reference power drift shall be less than $\pm 5\%$.

5.2 MEASURED SAR RESULT

EUT		Handheld Terminal			MODEL	DT-X5M30UR			
ENVIRONMENTAL CONDITION		Air Temperature : 22.0°C, Liquid Temperature : 21.0°C Humidity : 58%RH							
TESTED BY		Johan Kuo							
Chan.	Freq. (MHz)	Modulate type	Conducted Power (dBm)		Power Drift (%)	Device Use Power	Device Test Position Mode	Antenna Position	Measured 1g SAR (W/kg)
			Begin Test	After Test					
1	2412 (Low)	CCK	14.60	14.43	-3.84	Standard Battery from host	1	Internal Fixed	0.01400
6	2437 (Mid.)	CCK	14.80	14.64	-3.62	Standard Battery from host	1	Internal Fixed	0.00739
11	2462 (High)	CCK	14.72	14.57	-3.39	Standard Battery from host	1	Internal Fixed	0.00942
1	2412 (Low)	CCK	14.60	14.42	-4.06	Standard Battery from host	2	Internal Fixed	0.07000
6	2437 (Mid.)	CCK	14.80	14.98	4.23	Standard Battery from host	2	Internal Fixed	0.06800
11	2462 (High)	CCK	14.72	14.56	-3.62	Standard Battery from host	2	Internal Fixed	0.07200

NOTE:

1. Test configuration of each mode is described in section 3.
2. In this testing, the limit for General Population Spatial Peak averaged over 1g, **1.6 W/kg**, is applied.
3. Please see the Appendix A for the photo of the test configuration and also the data.
4. The variation of the EUT conducted power measured before and after SAR testing should not over 5%.

EUT		Handheld Terminal			MODEL		DT-X5M30UR		
ENVIRONMENTAL CONDITION		Air Temperature : 22.0°C, Liquid Temperature : 21.0°C Humidity : 58%RH							
TESTED BY		Johan Kuo							
Chan.	Freq. (MHz)	Modulate type	Conducted Power (dBm)		Power Drift (%)	Device Use Power	Device Test Position Mode	Antenna Position	Measured 1g SAR (W/kg)
			Begin Test	After Test					
1	2412 (Low)	CCK	14.60	14.52	-1.83	Standard Battery from host	3	Internal Fixed	0.727
6	2437 (Mid.)	CCK	14.80	14.64	-3.62	Standard Battery from host	3	Internal Fixed	0.572
11	2462 (High)	CCK	14.72	14.55	-3.84	Standard Battery from host	3	Internal Fixed	0.504

NOTE:

1. Test configuration of each mode is described in section 3.
2. In this testing, the limit for General Population Spatial Peak averaged over 1g, **1.6 W/kg**, is applied.
3. Please see the Appendix A for the photo of the test configuration and also the data.
4. The variation of the EUT conducted power measured before and after SAR testing should not over 5%.

EUT		Handheld Terminal			MODEL	DT-X5M30UR			
ENVIRONMENTAL CONDITION		Air Temperature : 22.0°C, Liquid Temperature : 21.0°C Humidity : 58%RH							
TESTED BY		Johan Kuo							
Chan.	Freq. (MHz)	Modulate type	Conducted Power (mW)		Power Drift (%)	Device Use Power	Device Test Position Mode	Antenna Position	Measured 1g SAR (W/kg)
			Begin Test	After Test					
0	2402 (Low)	GFSK	-2.40	-2.59	-4.28	Standard Battery from host	4	Internal Fixed	0.0003080
39	2441 (Mid.)	GFSK	-3.88	-3.90	-0.46	Standard Battery from host	4	Internal Fixed	0.0001830
78	2480 (High)	GFSK	-4.48	-4.66	-4.06	Standard Battery from host	4	Internal Fixed	0.0004310
0	2402 (Low)	GFSK	-2.40	-2.23	3.99	Standard Battery from host	5	Internal Fixed	0.0092100
39	2441 (Mid.)	GFSK	-3.88	-4.05	-3.84	Standard Battery from host	5	Internal Fixed	0.0064100
78	2480 (High)	GFSK	-4.48	-4.65	-3.84	Standard Battery from host	5	Internal Fixed	0.0000899

NOTE:

1. Test configuration of each mode is described in section 3.
2. In this testing, the limit for General Population Spatial Peak averaged over 1g, **1.6 W/kg**, is applied.
3. Please see the Appendix A for the photo of the test configuration and also the data.
4. The variation of the EUT conducted power measured before and after SAR testing should not over 5%.

EUT		Handheld Terminal			MODEL	DT-X5M30UR			
ENVIRONMENTAL CONDITION		Air Temperature : 22.0°C, Liquid Temperature : 21.0°C Humidity : 58%RH							
TESTED BY		Johan Kuo							
Chan.	Freq. (MHz)	Modulate type	Conducted Power (mW)		Power Drift (%)	Device Use Power	Device Test Position Mode	Antenna Position	Measured 1g SAR (W/kg)
			Begin Test	After Test					
0	2402 (Low)	GFSK	-2.40	-2.56	-3.62	Standard Battery from host	6	Internal Fixed	0.000122
39	2441 (Mid.)	GFSK	-3.88	-4.05	-3.84	Standard Battery from host	6	Internal Fixed	0.000139
78	2480 (High)	GFSK	-4.48	-4.63	-3.39	Standard Battery from host	6	Internal Fixed	0.000198

NOTE:

1. Test configuration of each mode is described in section 3.
2. In this testing, the limit for General Population Spatial Peak averaged over 1g, **1.6 W/kg**, is applied.
3. Please see the Appendix A for the photo of the test configuration and also the data.
4. The variation of the EUT conducted power measured before and after SAR testing should not over 5%.



EUT		Handheld Terminal			MODEL	DT-X5M30UR				
ENVIRONMENTAL CONDITION		Air Temperature : 22.0°C, Liquid Temperature : 21.0°C Humidity : 58%RH								
TESTED BY		Johan Kuo								
Chan.	Freq. (MHz)	Modulate type	Conducted Power (dBm)		Power Drift (%)	Device Use Power	Device Test Position Mode	Antenna Position	Measured 1g SAR (W/kg)	
			Begin Test	After Test						
1	2412 (Low)	CCK	14.60	14.43	-3.84	Standard Battery from host	7	Internal Fixed	0.701	
	2402 (Low)	GFSK	-2.40	-2.46	1.37					

NOTE:

1. Test configuration of each mode is described in section 3.
2. Found out which channel will occur the maximum SAR value when WLAN or Bluetooth function transmit individually. Use these two channels of each function to test the SAR value when transmit simultaneously.
3. In this testing, the limit for General Population Spatial Peak averaged over 1g, **1.6 W/kg**, is applied.
4. Please see the Appendix A for the photo of the test configuration and also the data.
5. The variation of the EUT conducted power measured before and after SAR testing should not over 5%.



5.3 SAR LIMITS

HUMAN EXPOSURE	SAR (W/kg)	
	(General Population / Uncontrolled Exposure Environment)	(Occupational / controlled Exposure Environment)
Spatial Average (whole body)	0.08	0.4
Spatial Peak (averaged over 1 g)	1.6	8.0
Spatial Peak (hands/wrists/feet/ankles averaged over 10 g)	4.0	20.0

NOTE

1. This limits accord to ANSI/IEEE C95.1 1992 – Safety Limit.
2. The EUT property been complied with the partial body exposure limit under the general population environment.

5.4 RECIPES FOR TISSUE SIMULATING LIQUIDS

For the measurement of the field distribution inside the SAM phantom, the phantom must be filled with 25 liters of tissue simulation liquid.

The following ingredients are used :

- Water- Deionized water (pure H₂O), resistivity ≥ 16 M - as basis for the liquid
- Sugar- Refined sugar in crystals, as available in food shops - to reduce relative permittivity
- Salt- Pure NaCl - to increase conductivity
- Cellulose- Hydroxyethyl-cellulose, medium viscosity (75-125 mPa.s, 2% in water, 20°C), CAS # 54290 - to increase viscosity and to keep sugar in solution
- Preservative- Preventol D-7 Bayer AG, D-51368 Leverkusen, CAS # 55965-84-9 - to prevent the spread of bacteria and molds
- DGMBE- Diethylenglycol-monobuthyl ether (DGMBE), Fluka Chemie GmbH, CAS # 112-34-5 - to reduce relative permittivity



The Recipes For 2450MHz Simulating Liquid Table

Ingredient	Head Simulating Liquid 2450MHz(HSL-2450)	Muscle Simulating Liquid 2450MHz(MSL-2450)
Water	45%	69.83%
DGMBE	55%	30.17%
Salt	NA	NA
Dielectric Parameters at 22	f=2450MHz e=39.2±5% s= 1.80±5% S/m	f=2450MHz e=52.7±5% s= 1.95±5% S/m

The liquid nature is tested by Agilent Network Analyzer E8358A and Agilent Dielectric Probe Kit 85070D. Here are the procedure.

1. Turn Network Analyzer on and allow at least 30 min. warm up.
2. Mount dielectric probe kit so that interconnecting cable to Network Analyzer will not be moved during measurements or calibration.
3. Pour de-ionized water and measure water temperature ($\pm 1^\circ$).
4. Set water temperature in Agilent-Software (Calibration Setup).
5. Perform calibration.
6. Validate calibration with dielectric material of known properties (e.g. polished ceramic slab with >8mm thickness $\epsilon' = 10.0$, $\epsilon'' = 0.0$). If measured parameters do not fit within tolerance, repeat calibration (± 0.2 for ϵ' : ± 0.1 for ϵ'').
7. Conductivity can be calculated from ϵ'' by $s = \epsilon_0 \epsilon'' f$ [GHz] / 18.
8. Measure liquid shortly after calibration. Repeat calibration every hour.
9. Stir the liquid to be measured. Take a sample (~50ml) with a syringe from the center of the liquid container.
10. Pour the liquid into a small glass flask. Hold the syringe at the bottom of the flask to avoid air bubbles.
11. Put the dielectric probe in the glass flask. Check that there are no air bubbles in front of the opening in the dielectric probe kit.
12. Perform measurements.
13. Adjust medium parameters in DASY4 for the frequencies necessary for the measurements ('Setup Config', select medium (e.g. Brain 900 MHz) and press 'Option' -button.
14. Select the current medium for the frequency of the validation (e.g. Setup Medium Brain 900 MHz).



(IEEE 802.11b USE)

Liquid Type		HSL-2450		MSL-2450	
Simulating Liquid Temp.		21		21	
Test Date		2004 / 11 / 30		2004 / 11 / 30	
Tested By		Johan Kuo		Johan Kuo	
Freq. (MHz)	Liquid Parameter	Standard Value	Measurement Value	Standard Value	Measurement Value
2412	Permittivity ()	NA	NA	52.7507	52.1549
2437		NA	NA	52.7173	52.0630
2450		NA	NA	52.7000	52.0169
2462		NA	NA	52.6847	51.9728
2412	Conductivity () S/m	NA	NA	1.9137	1.9835
2437		NA	NA	1.9376	2.0175
2450		NA	NA	1.9500	2.0354
2462		NA	NA	1.9670	2.0517
Dielectric Parameters Required at 22					

Liquid Type		HSL-2450		MSL-2450	
Simulating Liquid Temp.		21		21	
Test Date		2004 / 11 / 30		2004 / 11 / 30	
Tested By		Johan Kuo		Johan Kuo	
Freq. (MHz)	Liquid Parameter	Standard Value	Measurement Value	Standard Value	Measurement Value
2412	Permittivity ()	NA	NA	52.7507	51.1121
2450		NA	NA	52.7000	51.0147
2412	Conductivity () S/m	NA	NA	1.9137	1.9822
2450		NA	NA	1.9500	2.0336
Dielectric Parameters Required at 22					

(BLUETOOTH USE)

Liquid Type		HSL-2450	MSL-2450		
Simulating Liquid Temp.		21	21		
Test Date		2004 / 11 / 30	2004 / 11 / 30		
Tested By		Johan Kuo	Johan Kuo		
Freq. (MHz)	Liquid Parameter	Standard Value	Measurement Value	Standard Value	Measurement Value
2402	Permittivity ()	NA	NA	52.7640	52.1957
2441		NA	NA	52.7120	52.0490
2480		NA	NA	52.6618	51.8999
2402	Conductivity () S/m	NA	NA	1.9041	1.9673
2441		NA	NA	1.9414	2.0228
2480		NA	NA	1.9925	2.0765
Dielectric Parameters Required at 22					

5.5 TEST EQUIPMENT FOR TISSUE PROPERTY

Item	Name	Band	Type	Series No.	Calibrated Until
1	Network Analyzer	Agilent	E8358A	US41480538	Mar. 24, 2005
2	Dielectric Probe	Agilent	85070D	US01440176	NA

NOTE:

1. Before starting, all test equipment shall be warmed up for 30min.
2. The tolerance (k=1) specified by Agilent for general dielectric measurements, deriving from inaccuracies in the calibration data, analyzer drift, and random errors, are usually $\pm 2.5\%$ and $\pm 5\%$ for measured permittivity and conductivity, respectively. However, the tolerances for the conductivity is smaller for material with large loss tangents, i.e., less than $\pm 2.5\%$ (k=1) . It can be substantially smaller if more accurate methods are applied.



6. SYSTEM VALIDATION

The system validation was performed in the flat phantom with equipment listed in the following table. Since the SAR value is calculated from the measured electric field, dielectric constant and conductivity of the body tissue, and the SAR is proportional to the square of the electric field. So, the SAR value will be also proportional to the RF power input to the system validation dipole under the same test environment. In our system validation test, 250mW RF input power was used.

6.1 TEST EQUIPMENT

Item	Name	Band	Type	Series No.	Calibrated Until
1	SAM Phantom	S & P	QD000 P40 CA	PT-1150	NA
2	Signal Generator	R & S	SMP04	10001	May 05, 2005
3	E-Field Probe	S & P	ET3DV6	1687	Aug. 25, 2005
4	DAE	S & P	DAE3 V1	510	Aug. 16, 2005
5	Robot Positioner	Staubli Unimation	NA	NA	NA
6	Validation Dipole	S & P	D2450V2	716	Aug. 22, 2005

NOTE: Before starting the measurement, all test equipment shall be warmed up for 30min.

6.2 TEST PROCEDURE

Before the system performance check, we need only to tell the system which components (probe, medium, and device) are used for the system performance check; the system will take care of all parameters. The dipole must be placed beneath the flat section of the SAM Twin Phantom with the correct distance holder in place. The distance holder should touch the phantom surface with a light pressure at the reference marking (little cross) and be oriented parallel to the long side of the phantom. Accurate positioning is not necessary, since the system will search for the peak SAR location, except that the dipole arms should be parallel to the surface. The device holder for mobile phones can be left in place but should be rotated away from the dipole.



1. The "Power Reference Measurement" and "Power Drift Measurement" jobs are located at the beginning and end of the batch process. They measure the field drift at one single point in the liquid over the complete procedure. The indicated drift is mainly the variation of the amplifier output power. If it is too high (above ± 0.1 dB), the system performance check should be repeated; some amplifiers have very high drift during warm-up. A stable amplifier gives drift results in the DASY system below ± 0.02 dB.
2. The "Surface Check" job tests the optical surface detection system of the DASY system by repeatedly detecting the surface with the optical and mechanical surface detector and comparing the results. The output gives the detecting heights of both systems, the difference between the two systems and the standard deviation of the detection repeatability. Air bubbles or refraction in the liquid due to separation of the sugar-water mixture gives poor repeatability (above ± 0.1 mm). In that case it is better to abort the system performance check and stir the liquid. The difference between the optical surface detection and the actual surface depends on the probe and is specified with each probe. (It does not depend on the surface reflectivity or the probe angle to the surface within $\pm 30^\circ$.) However, varying breaking indices of different liquid compositions might also influence the distance. If the indicated difference varies from the actual setting, the probe parameter "optical surface
3. The "Area Scan" job measures the SAR above the dipole on a plane parallel to the surface. It is used to locate the approximate location of the peak SAR. The proposed scan uses large grid spacing for faster measurement; due to the symmetric field, the peak detection is reliable. If a finer graphic is desired, the grid spacing can be reduced. Grid spacing and orientation have no influence on the SAR result.
4. The "Zoom Scan" job measures the field in a volume around the peak SAR value assessed in the previous "Area Scan" job (for more information see the application note on SAR evaluation).



About the validation dipole positioning uncertainty, the constant and low loss dielectric spacer is used to establish the correct distance between the top surface of the dipole and the bottom surface of the phantom, the error component introduced by the uncertainty of the distance between the liquid (i.e., phantom shell) and the validation dipole in the DASY4 system is less than ± 0.1 mm.

$$SAR_{tolerance} [\%] = 100 \times \left(\frac{(a + d)^2}{a^2} - 1 \right)$$

As the closest distance is 10mm, the resulting tolerance $SAR_{tolerance} [\%]$ is <2%.

6.3 VALIDATION RESULT

ENVIRONMENTAL CONDITION	Temperature : 22.0°C, Humidity : 58%RH		
TESTED BY	Johan Kuo		
TEST DATE	2004/10/21		
2450MHz System Validation Test in the Muscle Simulating Liquid			
Required SAR (mW/g)	Measured SAR (mW/g)	Deviation (%)	Separation Distance
12.20 (1g)	11.10	-7.50	10mm
5.64 (10g)	5.39	-4.43	10mm

NOTE: Please see Appendix for the photo of system validation test.

ENVIRONMENTAL CONDITION	Temperature : 22.0°C, Humidity : 58%RH		
TESTED BY	Johan Kuo		
TEST DATE	2004/11/30		
2450MHz System Validation Test in the Muscle Simulating Liquid			
Required SAR (mW/g)	Measured SAR (mW/g)	Deviation (%)	Separation Distance
12.20 (1g)	12.70	4.10	10mm
5.64 (10g)	5.99	6.21	10mm

NOTE: Please see Appendix for the photo of system validation test.

6.4 SYSTEM VALIDATION UNCERTAINTIES

In the table below, the system validation uncertainty with respect to the analytically assessed SAR value of a dipole source as given in the P1528 standard is given. This uncertainty is smaller than the expected uncertainty for mobile phone measurements due to the simplified setup and the symmetric field distribution.

Error Description	Tolerance (±%)	Probability Distribution	Divisor	(C _i)		Standard Uncertainty (±%)		(v _i)
				(1g)	(10g)	(1g)	(10g)	
Measurement System								
Probe Calibration	4.8	Normal	1	1	1	4.8	4.8	
Axial Isotropy	4.7	Rectangular	3	1	1	2.7	2.7	
Hemispherical Isotropy	0	Rectangular	3	1	1	0	0	
Boundary effect	1.0	Rectangular	3	1	1	0.6	0.6	
Linearity	4.7	Rectangular	3	1	1	2.7	2.7	
System Detection Limit	1.0	Rectangular	3	1	1	0.6	0.6	
Readout Electronics	1.0	Normal	1	1	1	1.0	1.0	
Response Time	0	Rectangular	3	1	1	0	0	
Integration Time	0	Rectangular	3	1	1	0	0	
RF Ambient Conditions	3.0	Rectangular	3	1	1	1.7	1.7	
Probe Positioner	0.4	Rectangular	3	1	1	0.2	0.2	
Probe positioning	2.9	Rectangular	3	1	1	1.7	1.7	
Algorithms for Max. SAR Evaluation	1.0	Rectangular	3	1	1	0.6	0.6	
Dipole								
Dipole Axis to Liquid Distance	2.0	Rectangular	3	1	1	1.2	1.2	
Input power and SAR drift measurement	4.7	Rectangular	3	1	1	2.7	2.7	
Phantom and Tissue Parameters								
Phantom Uncertainty	4.0	Rectangular	3	1	1	2.3	2.3	
Liquid Conductivity (target)	5.0	Rectangular	3	0.64	0.43	1.8	1.2	
Liquid Conductivity (measurement)	2.5	Normal	1	0.64	0.43	1.6	1.1	
Liquid Permittivity (target)	5.0	Rectangular	3	0.6	0.49	1.7	1.4	
Liquid Permittivity (measurement)	2.5	Normal	1	0.6	0.49	1.5	1.2	
Combined Standard Uncertainty						8.4	8.1	
Coverage Factor for 95%						kp=2		
Expanded Uncertainty (K=2)						16.8	16.2	

NOTE: About the system validation uncertainty assessment, please reference the section 7.



7. MEASUREMENT SAR PROCEDURE UNCERTAINTIES

The assessment of spatial peak SAR of the hand handheld devices is according to IEEE 1528. All testing situation shall be met below these requirement.

- The system is used by an experienced engineer who follows the manual and the guidelines taught during the training provided by SPEAG.
- The probe has been calibrated within the requested period and the stated uncertainty for the relevant frequency bands does not exceed 4.8% (k=1).
- The validation dipole has been calibrated within the requested period and the system performance check has been successful.
- The DAE unit has been calibrated within the within the requested period.
- The minimum distance between the probe sensor and inner phantom shell is selected to be between 4 and 5mm.
- The operational mode of the DUT is CW, CDMA, FDMA or TDMA (GSM, DCS, PCS, IS136 and PDC) and the measurement/integration time per point is >500 ms.
- The dielectric parameters of the liquid have been assessed using Agilent 85070D dielectric probe kit or a more accurate method.
- The dielectric parameters are within 5% of the target values.
- The DUT has been positioned as described in section 3.

7.1 PROBE CALIBRATION UNCERTAINTY

SPEAG conducts the probe calibration in compliance with international and national standards (e.g. IEEE 1528, EN50361, IEC 62209, etc.) under ISO17025. The uncertainties are stated on the calibration certificate. For the most relevant frequency bands, these values do not exceed 4.8% (k=1). If evaluations of other bands are performed for which the uncertainty exceeds these values, the uncertainty tables given in the summary have to be revised accordingly.

7.2 ISOTROPY UNCERTAINTY

The axial isotropy tolerance accounts for probe rotation around its axis while the hemispherical isotropy error includes all probe orientations and field polarizations. These parameters are assessed by SPEAG during initial calibration. In 2001, SPEAG further tightened its quality controls and warrants that the maximal deviation from axial isotropy is ± 0.20 dB, while the maximum deviation of hemispherical isotropy is ± 0.40 dB, corresponding to $\pm 4.7\%$ and $\pm 9.6\%$, respectively. A weighting factor of c_p equal to 0.5 can be applied, since the axis of the probe deviates less than 30 degrees from the normal surface orientation.

7.3 BOUNDARY EFFECT UNCERTAINTY

The effect can be estimated according to the following error approximation formula

$$SAR_{tolerance} [\%] = SAR_{be} [\%] \times \frac{(d_{be} + d_{step})^2}{2d_{step}} e^{-\frac{d_{be}}{d/2}}$$

$$d_{be} + d_{step} < 10mm$$

The parameter d_{be} is the distance in mm between the surface and the closest measurement point used in the averaging process; d_{step} is the separation distance in mm between the first and second measurement points; d is the minimum penetration depth in mm within the head tissue equivalent liquids (i.e., $d = 13.95$ mm at 3GHz); SAR_{be} is the deviation between the measured SAR value at the distance d_{be} from the boundary and the wave-guide analytical value SAR_{ref} . DASY4 applies a boundary effect compensation algorithm according to IEEE 1528, which is possible since the axis of the probe never deviates more than 30 degrees from the normal surface orientation. $SAR_{be} [\%]$ is assessed during the calibration process and SPEAG warrants that the uncertainty at distances larger than 4mm is always less than 1%. In summary, the worst case boundary effect SAR tolerance [%] for scanning distances larger than 4mm is $< \pm 0.8\%$.

7.4 PROBE LINEARITY UNCERTAINTY

Field probe linearity uncertainty includes errors from the assessment and compensation of the diode compression effects for CW and pulsed signals with known duty cycles. This error is assessed using the procedure described in IEEE 1528. For SPEAG field probes, the measured difference between CW and pulsed signals, with pulse frequencies between 10 Hz and 1 kHz and duty cycles between 1 and 100, is $< \pm 0.20$ dB ($< \pm 4.7\%$).

7.5 READOUT ELECTRONICS UNCERTAINTY

All uncertainties related to the probe readout electronics (DAE unit), including the gain and linearity of the instrumentation amplifier, its loading effect on the probe, and accuracy of the signal conversion algorithm, have been assessed accordingly to IEEE 1528. The combination (root-sum-square RSS method) of these components results in an overall maximum error of $\pm 1.0\%$.



7.6 RESPONSE TIME UNCERTAINTY

The time response of the field probes is assessed by exposing the probe to a well-controlled electric field producing SAR larger than 2.0 W/kg at the tissue medium surface. The signal response time is evaluated as the time required by the system to reach 90% of the expected final value after an on/of switch of the power source. Analytically, it can be expressed as:

$$SAR_{tolerance} [\%] = 100 \times \left(\frac{T_m}{T_m + \tau e^{-T_m/\tau}} - 1 \right)$$

where T_m is 500 ms, i.e., the time between measurement samples, and τ the time constant. The response time τ of SPEAG's probes is <5 ms. In the current implementation, DASY4 waits longer than 100 ms after having reached the grid point before starting a measurement, i.e., the response time uncertainty is negligible.

7.7 INTEGRATION TIME UNCERTAINTY

If the device under test does not emit a CW signal, the integration time applied to measure the electric field at a specific point may introduce additional uncertainties due to the discretization and can be assessed as follows

$$SAR_{tolerance} [\%] = 100 \times \sum_{all\ sub-frames} \frac{t_{frame}}{t_{integration}} \frac{slot_{idle}}{slot_{total}}$$

The tolerances for the different systems are given in Table 7.1, whereby the worst-case $SAR_{tolerance}$ is 2.6%.

System	$SAR_{tolerance}$ %
CW	0
CDMA*	0
WCDMA*	0
FDMA	0
IS-136	2.6
PDC	2.6
GSM/DCS/PCS	1.7
DECT	1.9
Worst-Case	2.6

Table 7.1

7.8 PROBE POSITIONER MECHANICAL TOLERANCE

The mechanical tolerance of the field probe positioner can introduce probe positioning uncertainties. The resulting SAR uncertainty is assessed by comparing the SAR obtained according to the specifications of the probe positioner with respect to the actual position defined by the geometric enter of the probe sensors. The tolerance is determined as:

$$SAR_{tolerance} [\%] = 100 \times \frac{d_{ss}}{d/2}$$

The specified repeatability of the RX robot family used in DASY4 systems is $\pm 25 \mu\text{m}$. The absolute accuracy for short distance movements is better than $\pm 0.1\text{mm}$, i.e., the $SAR_{tolerance} [\%]$ is better than 1.5% (rectangular).



7.9 PROBE POSITIONING

The probe positioning procedures affect the tolerance of the separation distance between the probe tip and the phantom surface as:

$$SAR_{tolerance} [\%] = 100 \times \frac{d_{ph}}{d/2}$$

where d_{ph} is the maximum deviation of the distance between the probe tip and the phantom surface. The optical surface detection has a precision of better than 0.2 mm, resulting in an $SAR_{tolerance} [\%]$ of <2.9% (rectangular distribution). Since the mechanical detection provides better accuracy, 2.9% is a worst-case figure for DASY4 system.

7.10 PHANTOM UNCERTAINTY

The SAR measurement uncertainty due to SPEAG phantom shell production tolerances has been evaluated using

$$SAR_{tolerance} [\%] \cong 100 \times \frac{2d}{a}, \quad d \ll a$$

For a maximum deviation d of the inner and outer shell of the phantom from that specified in the CAD file of ± 0.2 mm, and a 10mm spacing a between source and tissue liquid, the calculated phantom uncertainty is $\pm 4.0\%$.

7.11 DASY4 UNCERTAINTY BUDGET

Error Description	Tolerance (±%)	Probability Distribution	Divisor	(C _i)		Standard Uncertainty (±%)		(v _i)
				(1g)	(10g)	(1g)	(10g)	
Measurement System								
Probe Calibration	4.8	Normal	1	1	1	4.8	4.8	
Axial Isotropy	4.7	Rectangular	3	1	1	1.9	1.9	
Hemispherical Isotropy	9.6	Rectangular	3	1	1	3.9	3.9	
Boundary effect	1.0	Rectangular	3	1	1	0.6	0.6	
Linearity	4.7	Rectangular	3	1	1	2.7	2.7	
System Detection Limit	1.0	Rectangular	3	1	1	0.6	0.6	
Readout Electronics	1.0	Normal	1	1	1	1.0	1.0	
Response Time	0.8	Rectangular	3	1	1	0.5	0.5	
Integration Time	2.6	Rectangular	3	1	1	1.5	1.5	
RF Ambient Conditions	3.0	Rectangular	3	1	1	1.7	1.7	
Probe Positioner	0.4	Rectangular	3	1	1	0.2	0.2	
Probe positioning	2.9	Rectangular	3	1	1	1.7	1.7	
Algorithms for Max. SAR Evaluation	1.0	Rectangular	3	1	1	0.6	0.6	
Test EUT Related								
Device Positioning	2.9	Normal	1	1	1	2.9	2.9	875
Device Holder	3.6	Normal	1	1	1	3.6	3.6	5
Power Drift	5	Rectangular	3	1	1	2.9	2.9	
Phantom and Tissue Parameters								
Phantom Uncertainty	4.0	Rectangular	3	1	1	2.3	2.3	
Liquid Conductivity (target)	5.0	Rectangular	3	0.64	0.43	1.8	1.2	
Liquid Conductivity (measurement)	2.5	Normal	1	0.64	0.43	1.6	1.1	
Liquid Permittivity (target)	5.0	Rectangular	3	0.6	0.49	1.7	1.4	
Liquid Permittivity (measurement)	2.5	Normal	1	0.6	0.49	1.5	1.2	
Combined Standard Uncertainty						10.3	10	331
Coverage Factor for 95%						kp=2		
Expanded Uncertainty (K=2)						20.6	20.1	

Table 7.2

The table 7.2: Worst-Case uncertainty budget for DASY4 assessed according to IEEE P1528. The budget is valid for the frequency range 300MHz ~ 3 GHz and represents a worst-case analysis. For specific tests and configurations, the uncertainty could be considerable smaller.



8. INFORMATION ON THE TESTING LABORATORIES

We, ADT Corp., were founded in 1988 to provide our best service in EMC, Radio, Telecom and Safety consultation. Our laboratories are accredited and approved by the following approval agencies according to ISO/IEC 17025, Guide 25 or EN 45001:

USA	FCC, NVLAP, UL, A2LA
Germany	TUV Rheinland
Japan	VCCI
Norway	NEMKO
Canada	INDUSTRY CANADA , CSA
R.O.C.	CNLA, BSMI, DGT
Netherlands	Telefication
Singapore	PSB , GOST-ASIA(MOU)
Russia	CERTIS(MOU)

Copies of accreditation certificates of our laboratories obtained from approval agencies can be downloaded from our web site: www.adt.com.tw/index.5/phtml. If you have any comments, please feel free to contact us at the following:

Linko EMC/RF Lab:
Tel: 886-2-26052180
Fax: 886-2-26052943

Hsin Chu EMC/RF Lab:
Tel: 886-3-5935343
Fax: 886-3-5935342

Hwa Ya EMC/RF/Safety/ Telecom Lab:
Tel: 886-3-3183232
Fax: 886-3-3185050

Linko RF Lab.
Tel: 886-3-3270910
Fax: 886-3-3270892

Email: service@adt.com.tw
Web Site: www.adt.com.tw

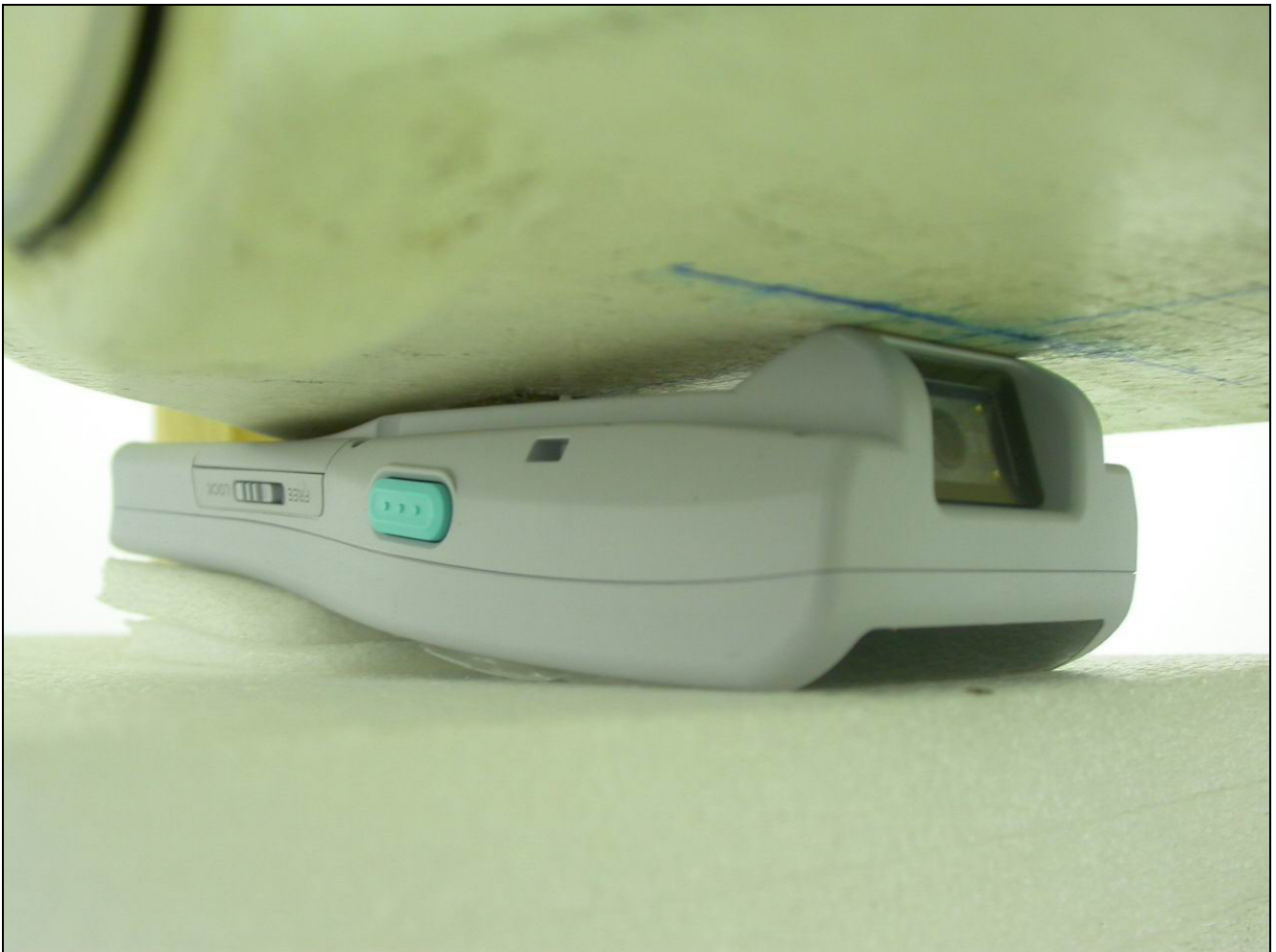
The address and road map of all our labs can be found in our web site also.

Report Format Version 1.5

APPENDIX A: TEST CONFIGURATIONS AND TEST DATA

A1: TEST CONFIGURATION

Mode 1 Bottom Position



The bottom of the EUT to the flat phantom distance 0 mm

Mode 2 Tip Position



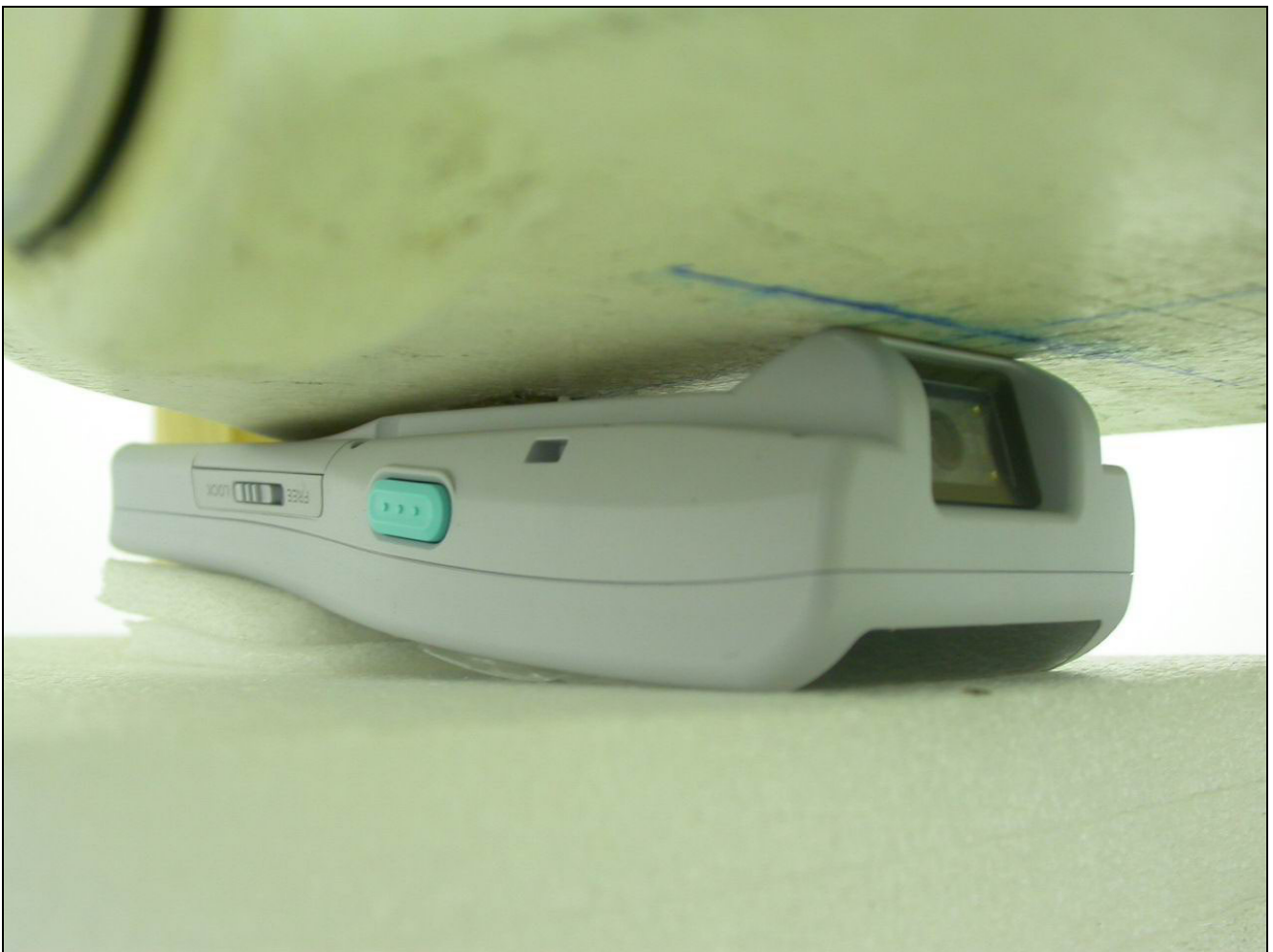
The tip of the EUT to the flat phantom distance 0 mm

Mode 3 Front Position



The front of the EUT to the flat phantom distance 0 mm

Mode 4 Bottom Position



The bottom of the EUT to the flat phantom distance 0 mm

Mode 5 Tip Position



The tip of the EUT to the flat phantom distance 0 mm

Mode 6 Front Position



The Front of the EUT to the flat phantom distance 0 mm

Mode 7 Front Position



The front of the EUT to the flat phantom distance 0 mm

EUT Photo



Liquid Level Photo

MSL 2450MHz D=155mm



A2 : TEST DATA

Date/Time: 10/21/04 10:12:58

Test Laboratory: Advance Data Technology

DX-X5M30UR 11b Bottom Mode 1 Ch 1

DUT: Handheld Terminal ; Type: DX-X5M30UR ; Test Channel Frequency: 2412 MHz

Communication System: 802.11b ; Frequency: 2412 MHz ; Duty Cycle: 1:1 ; Modulation type: CCK
Medium: MSL2450 Medium parameters used: $f = 2412$ MHz; $\sigma = 1.98$ mho/m; $\epsilon_r = 52.2$; $\rho = 1000$

kg/m³ ; Liquid level : 155mm

Phantom section: Flat Section ; Separation distance : 0 mm (The bottom side of the EUT to the Phantom)

Antenna type : Internal Antenna ; Air temp. : 22.0 degrees ; Liquid temp. : 21.0 degrees

DASY4 Configuration:

- Probe: ET3DV6 - SN1687 ; ConvF(4.23, 4.23, 4.23) ; Calibrated: 2004/8/26
- Sensor-Surface: 4mm (Mechanical Surface Detection)
- Electronics: DAE3 Sn510 ; Calibrated: 2004/8/17
- Phantom: SAM 12 ; Type: SAM V4.0 ; Serial: TP 1202
- Measurement SW: DASY4, V4.3 Build 22 ; Postprocessing SW: SEMCAD, V1.8 Build 127

Low Channel/Area Scan (7x8x1): Measurement grid: dx=15mm, dy=15mm

Maximum value of SAR (measured) = 0.018 mW/g

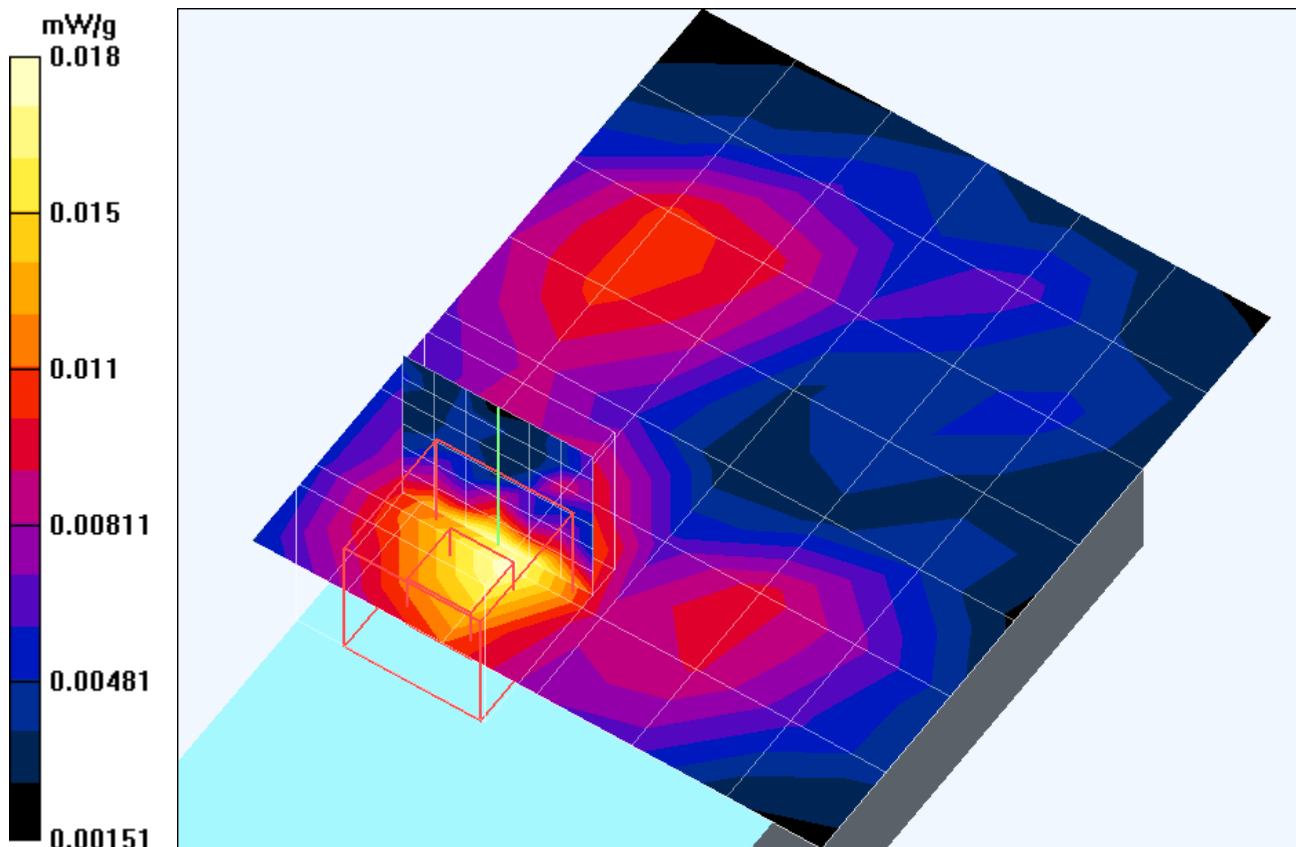
Low Channel/Zoon Scan (7x7x7)/Cube 0: Measurement grid: dx=5mm, dy=5mm, dz=5mm

Reference Value = 1.8 V/m; Power Drift = -0.2 dB

Peak SAR (extrapolated) = 0.358 W/kg

SAR(1 g) = 0.014 mW/g; SAR(10 g) = 0.00662 mW/g

Maximum value of SAR (measured) = 0.017 mW/g



Test Laboratory: Advance Data Technology

DX-X5M30UR 11b Bottom Mode 1 Ch 6

DUT: Handheld Terminal ; Type: DX-X5M30UR ; Test Channel Frequency: 2437 MHz

Communication System: 802.11b ; Frequency: 2437 MHz ; Duty Cycle: 1:1 ; Modulation type: CCK
Medium: MSL2450 Medium parameters used: $f = 2437$ MHz; $\sigma = 2.02$ mho/m; $\epsilon_r = 52.1$; $\rho = 1000$

kg/m³ ; Liquid level : 155mm

Phantom section: Flat Section ; Separation distance : 0 mm (The bottom side of the EUT to the Phantom)

Antenna type : Internal Antenna ; Air temp. : 22.0 degrees ; Liquid temp. : 21.0 degrees

DASY4 Configuration:

- Probe: ET3DV6 - SN1687 ; ConvF(4.23, 4.23, 4.23) ; Calibrated: 2004/8/26
- Sensor-Surface: 4mm (Mechanical Surface Detection)
- Electronics: DAE3 Sn510 ; Calibrated: 2004/8/17
- Phantom: SAM 12 ; Type: SAM V4.0 ; Serial: TP 1202
- Measurement SW: DASY4, V4.3 Build 22 ; Postprocessing SW: SEMCAD, V1.8 Build 127

Middle Channel/Area Scan (7x8x1): Measurement grid: dx=15mm, dy=15mm

Maximum value of SAR (measured) = 0.017 mW/g

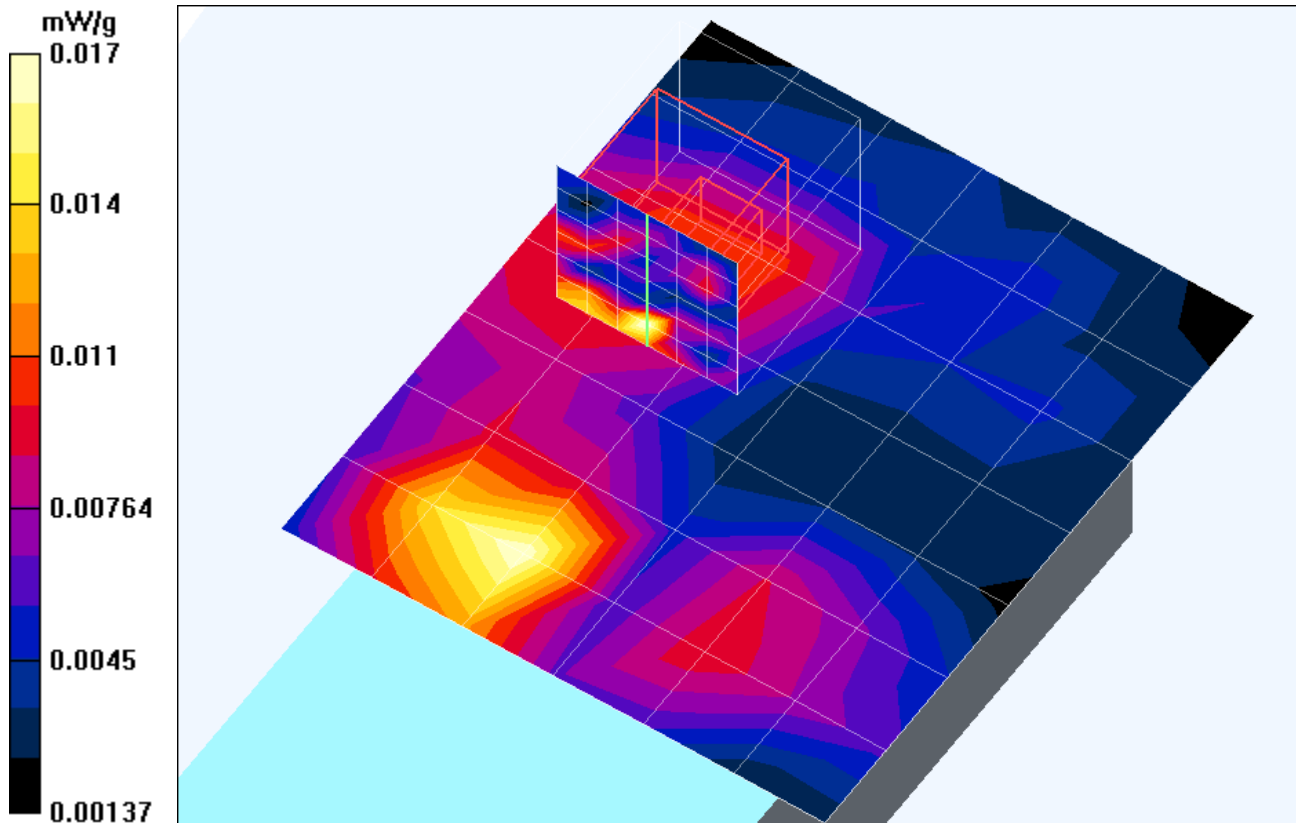
Middle Channel/Zoon Scan (7x7x7)/Cube 0: Measurement grid: dx=5mm, dy=5mm, dz=5mm

Reference Value = 1.84 V/m; Power Drift = -0.2 dB

Peak SAR (extrapolated) = 143885.9 W/kg

SAR(1 g) = 0.00739 mW/g; SAR(10 g) = 0.00252 mW/g

Maximum value of SAR (measured) = 0.013 mW/g



Test Laboratory: Advance Data Technology

DX-X5M30UR 11b Bottom Mode 1 Ch 11

DUT: Handheld Terminal ; Type: DX-X5M30UR ; Test Channel Frequency: 2462 MHz

Communication System: 802.11b ; Frequency: 2462 MHz ; Duty Cycle: 1:1 ; Modulation type: CCK
Medium: MSL2450 Medium parameters used: $f = 2462$ MHz; $\sigma = 2.05$ mho/m; $\epsilon_r = 52$; $\rho = 1000$

kg/m³ ; Liquid level : 155mm

Phantom section: Flat Section ; Separation distance : 0 mm (The bottom side of the EUT to the Phantom)

Antenna type : Internal Antenna ; Air temp. : 22.0 degrees ; Liquid temp. : 21.0 degrees

DASY4 Configuration:

- Probe: ET3DV6 - SN1687 ; ConvF(4.23, 4.23, 4.23) ; Calibrated: 2004/8/26
- Sensor-Surface: 4mm (Mechanical Surface Detection)
- Electronics: DAE3 Sn510 ; Calibrated: 2004/8/17
- Phantom: SAM 12 ; Type: SAM V4.0 ; Serial: TP 1202
- Measurement SW: DASY4, V4.3 Build 22 ; Postprocessing SW: SEMCAD, V1.8 Build 127

High Channel/Area Scan (7x8x1): Measurement grid: dx=15mm, dy=15mm

Maximum value of SAR (measured) = 0.018 mW/g

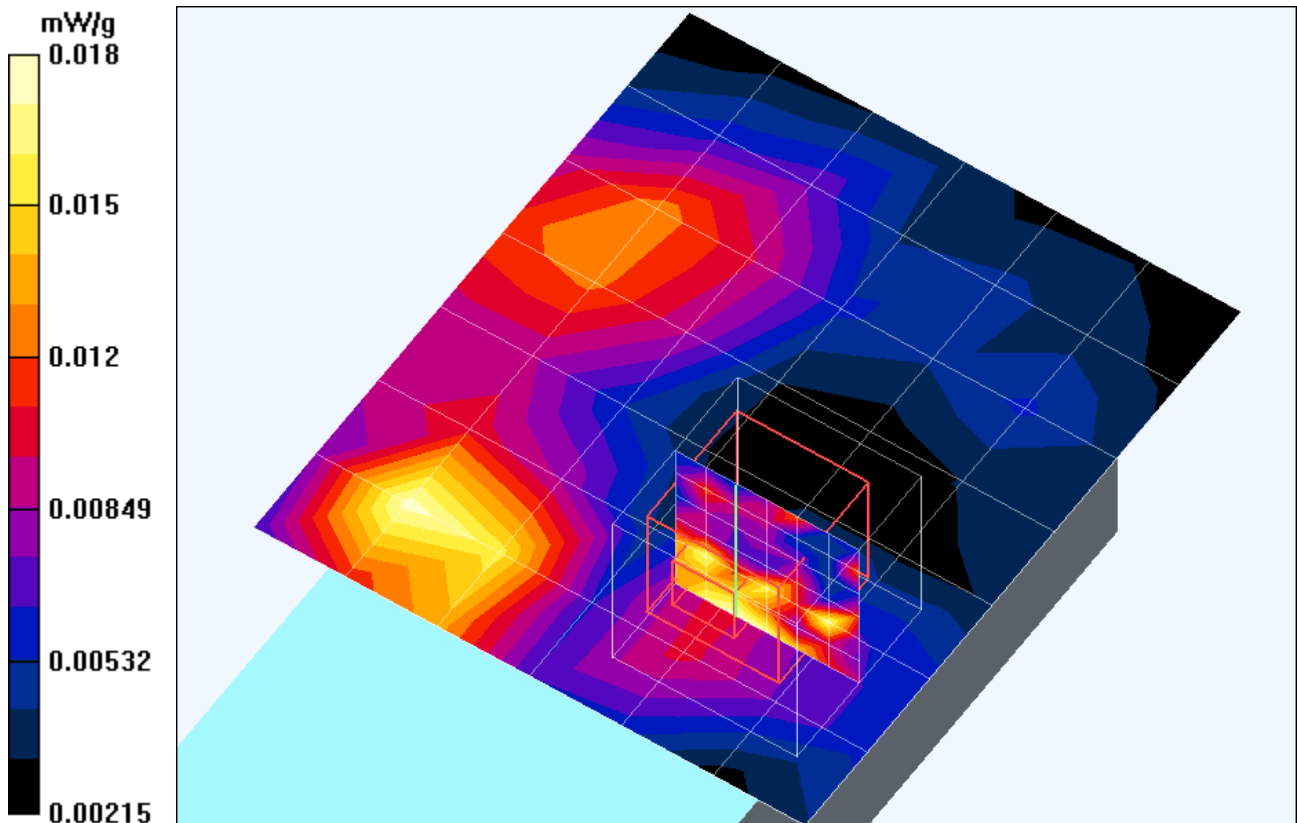
High Channel/Zoon Scan (7x7x7)/Cube 0: Measurement grid: dx=5mm, dy=5mm, dz=5mm

Reference Value = 1.94 V/m; Power Drift = -0.2 dB

Peak SAR (extrapolated) = 76777.0 W/kg

SAR(1 g) = 0.00942 mW/g; SAR(10 g) = 0.00304 mW/g

Maximum value of SAR (measured) = 0.012 mW/g



Test Laboratory: Advance Data Technology

DX-X5M30UR 11b Tip Mode 2 Ch 1

DUT: Handheld Terminal ; Type: DX-X5M30UR ; Test Channel Frequency: 2412 MHz

Communication System: 802.11b ; Frequency: 2412 MHz; Duty Cycle: 1:1; Modulation type: CCK
Medium: MSL2450 Medium parameters used: $f = 2412$ MHz; $\sigma = 1.98$ mho/m; $\epsilon_r = 52.2$; $\rho = 1000$

kg/m³ ; Liquid level : 155 mm

Phantom section: Flat Section ; Separation distance : 0 mm (The tip of the EUT to the Phantom)

Antenna type : Internal Antenna ; Air temp. : 22.0 degrees ; Liquid temp. : 21.0 degrees

DASY4 Configuration:

- Probe: ET3DV6 - SN1687 ; ConvF(4.23, 4.23, 4.23) ; Calibrated: 2004/8/26
- Sensor-Surface: 4mm (Mechanical Surface Detection)
- Electronics: DAE3 Sn510; Calibrated: 2004/8/17
- Phantom: SAM 12; Type: SAM V4.0; Serial: TP 1202
- Measurement SW: DASY4, V4.3 Build 22; Postprocessing SW: SEMCAD, V1.8 Build 127

Low Channel/Area Scan (6x9x1): Measurement grid: dx=15mm, dy=15mm

Maximum value of SAR (measured) = 0.082 mW/g

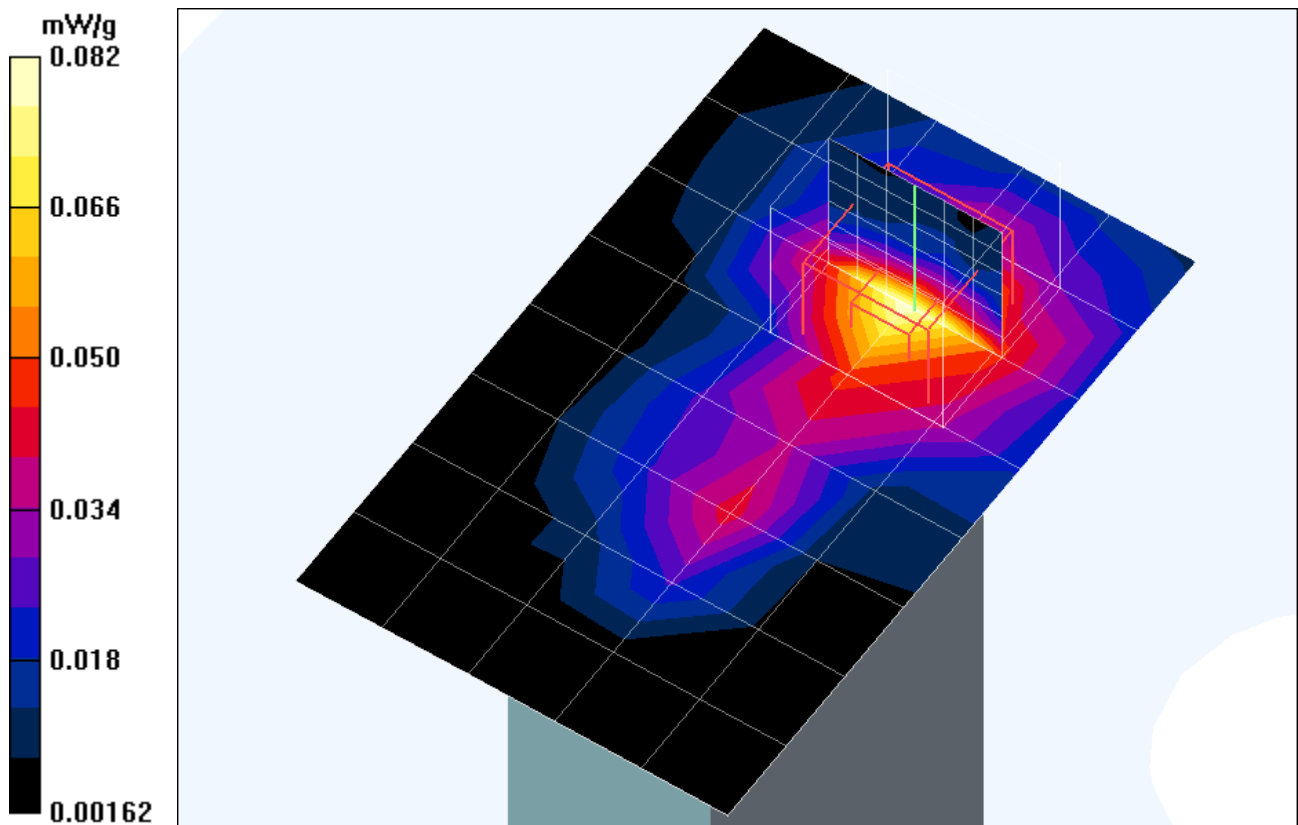
Low Channel/Zoon Scan (7x7x7)/Cube 0: Measurement grid: dx=5mm, dy=5mm, dz=5mm

Reference Value = 4.45 V/m; Power Drift = -0.2 dB

Peak SAR (extrapolated) = 0.113 W/kg

SAR(1 g) = 0.070 mW/g; SAR(10 g) = 0.040 mW/g

Maximum value of SAR (measured) = 0.076 mW/g



Test Laboratory: Advance Data Technology

DX-X5M30UR 11b Tip Mode 2 Ch 6

DUT: Handheld Terminal ; Type: DX-X5M30UR ; Test Channel Frequency: 2437 MHz

Communication System: 802.11b ; Frequency: 2437 MHz; Duty Cycle: 1:1; Modulation type: CCK
Medium: MSL2450 Medium parameters used: $f = 2437$ MHz; $\sigma = 2.02$ mho/m; $\epsilon_r = 52.1$; $\rho = 1000$

kg/m³ ; Liquid level : 155 mm

Phantom section: Flat Section ; Separation distance : 0 mm (The tip of the EUT to the Phantom)

Antenna type : Internal Antenna ; Air temp. : 22.0 degrees ; Liquid temp. : 21.0 degrees

DASY4 Configuration:

- Probe: ET3DV6 - SN1687 ; ConvF(4.23, 4.23, 4.23) ; Calibrated: 2004/8/26
- Sensor-Surface: 4mm (Mechanical Surface Detection)
- Electronics: DAE3 Sn510; Calibrated: 2004/8/17
- Phantom: SAM 12; Type: SAM V4.0; Serial: TP 1202
- Measurement SW: DASY4, V4.3 Build 22; Postprocessing SW: SEMCAD, V1.8 Build 127

Middle Channel/Area Scan (6x9x1): Measurement grid: dx=15mm, dy=15mm

Maximum value of SAR (measured) = 0.074 mW/g

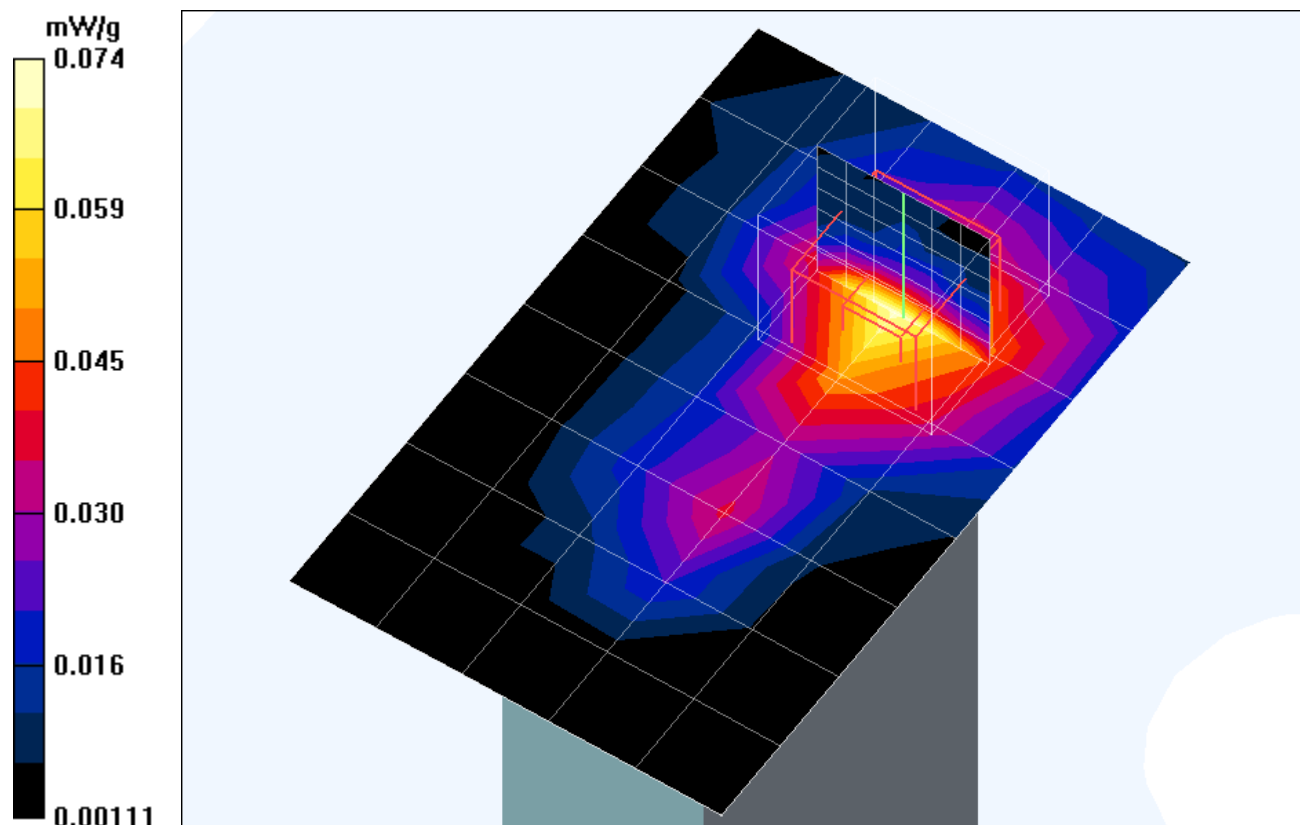
Middle Channel/Zoon Scan (7x7x7)/Cube 0: Measurement grid: dx=5mm, dy=5mm, dz=5mm

Reference Value = 3.79 V/m; Power Drift = 0.2 dB

Peak SAR (extrapolated) = 0.113 W/kg

SAR(1 g) = 0.068 mW/g; SAR(10 g) = 0.038 mW/g

Maximum value of SAR (measured) = 0.075 mW/g



Test Laboratory: Advance Data Technology

DX-X5M30UR 11b Tip Mode 2 Ch 11

DUT: Handheld Terminal ; Type: DX-X5M30UR ; Test Channel Frequency: 2462 MHz

Communication System: 802.11b ; Frequency: 2462 MHz; Duty Cycle: 1:1; Modulation type: CCK
Medium: MSL2450 Medium parameters used: $f = 2462$ MHz; $\sigma = 2.05$ mho/m; $\epsilon_r = 52$; $\rho = 1000$

kg/m³ ; Liquid level : 155 mm

Phantom section: Flat Section ; Separation distance : 0 mm (The tip of the EUT to the Phantom)

Antenna type : Internal Antenna ; Air temp. : 22.0 degrees ; Liquid temp. : 21.0 degrees

DASY4 Configuration:

- Probe: ET3DV6 - SN1687 ; ConvF(4.23, 4.23, 4.23) ; Calibrated: 2004/8/26
- Sensor-Surface: 4mm (Mechanical Surface Detection)
- Electronics: DAE3 Sn510; Calibrated: 2004/8/17
- Phantom: SAM 12; Type: SAM V4.0; Serial: TP 1202
- Measurement SW: DASY4, V4.3 Build 22; Postprocessing SW: SEMCAD, V1.8 Build 127

High Channel/Area Scan (6x9x1): Measurement grid: dx=15mm, dy=15mm

Maximum value of SAR (measured) = 0.076 mW/g

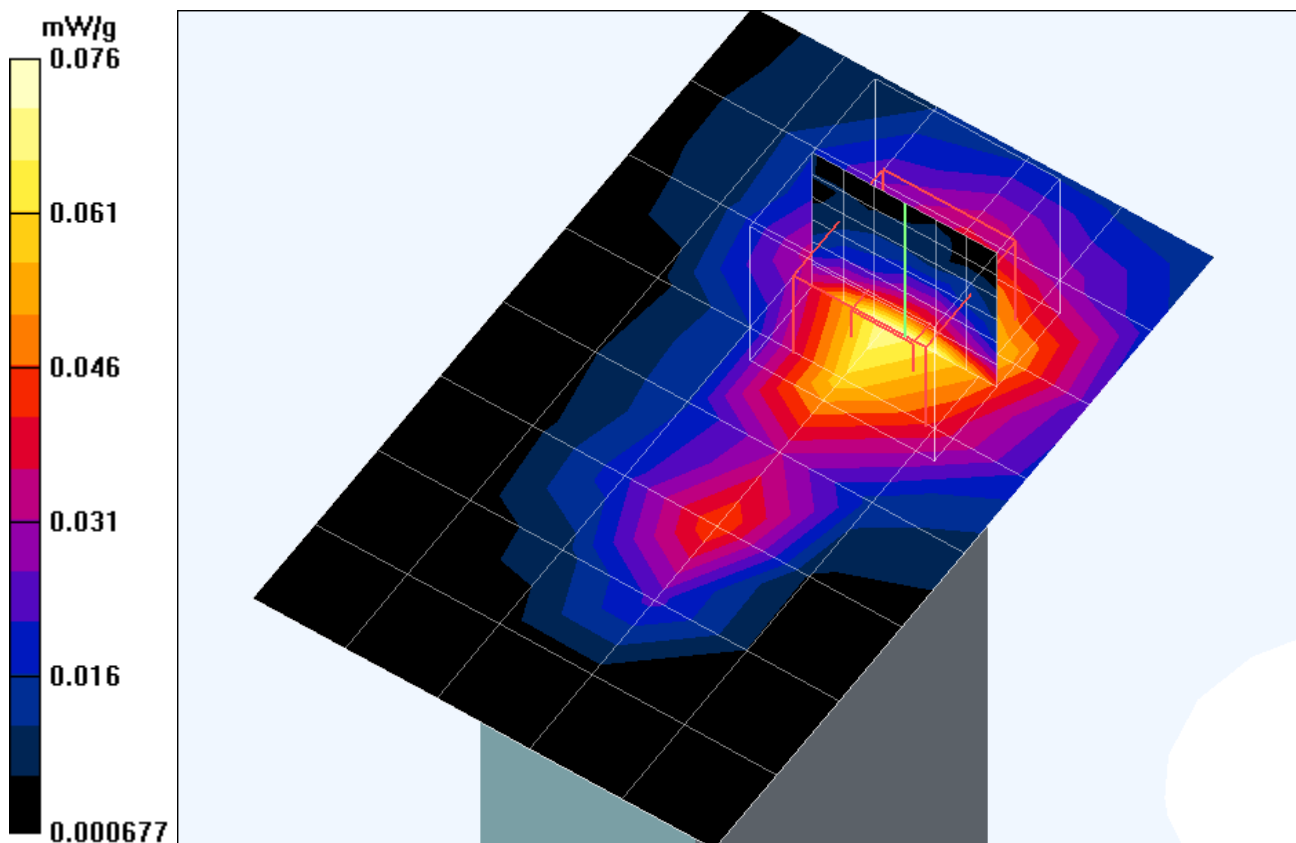
High Channel/Zoon Scan (7x7x7)/Cube 0: Measurement grid: dx=5mm, dy=5mm, dz=5mm

Reference Value = 3.91 V/m; Power Drift = -0.2 dB

Peak SAR (extrapolated) = 0.128 W/kg

SAR(1 g) = 0.072 mW/g; SAR(10 g) = 0.041 mW/g

Maximum value of SAR (measured) = 0.079 mW/g



Test Laboratory: Advance Data Technology

DX-X5M30UR 11b Front Mode 3 Ch 1

DUT: Handheld Terminal ; Type: DX-X5M30UR ; Test Channel Frequency: 2412 MHz

Communication System: 802.11b ; Frequency: 2412 MHz ; Duty Cycle: 1:1 ; Modulation type: CCK
Medium: MSL2450 Medium parameters used: $f = 2412$ MHz; $\sigma = 1.98$ mho/m; $\epsilon_r = 52.2$; $\rho = 1000$

kg/m³ ; Liquid level : 155mm

Phantom section: Flat Section ; Separation distance : 0 mm (The front side of the EUT to the Phantom)

Antenna type : Internal Antenna ; Air temp. : 22.0 degrees ; Liquid temp. : 21.0 degrees

DASY4 Configuration:

- Probe: ET3DV6 - SN1687 ; ConvF(4.23, 4.23, 4.23) ; Calibrated: 2004/8/26
- Sensor-Surface: 4mm (Mechanical Surface Detection)
- Electronics: DAE3 Sn510 ; Calibrated: 2004/8/17
- Phantom: SAM 12 ; Type: SAM V4.0 ; Serial: TP 1202
- Measurement SW: DASY4, V4.3 Build 22 ; Postprocessing SW: SEMCAD, V1.8 Build 127

Low Channel/Area Scan (7x8x1): Measurement grid: dx=15mm, dy=15mm

Maximum value of SAR (measured) = 0.845 mW/g

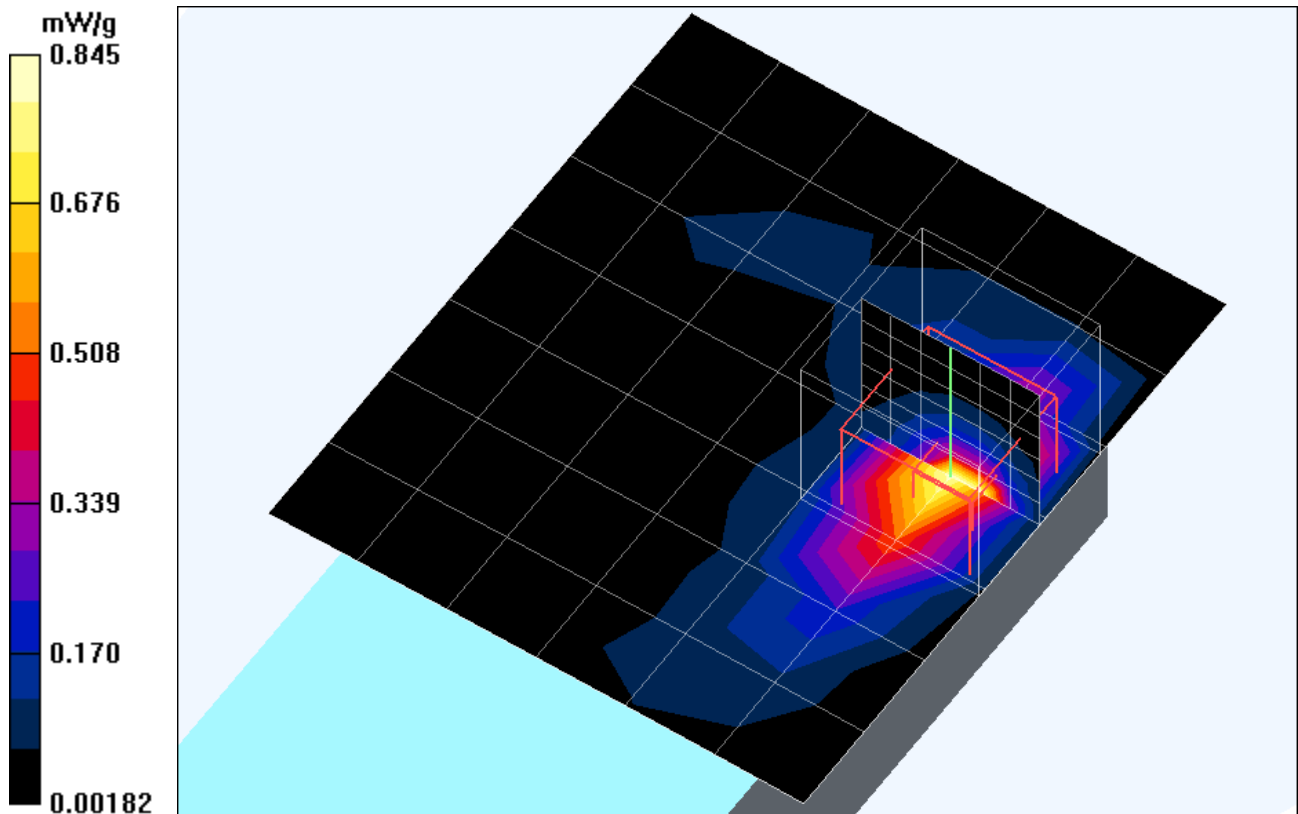
Low Channel/Zoon Scan (7x7x7)/Cube 0: Measurement grid: dx=5mm, dy=5mm, dz=5mm

Reference Value = 5.4 V/m; Power Drift = -0.1 dB

Peak SAR (extrapolated) = 1.88 W/kg

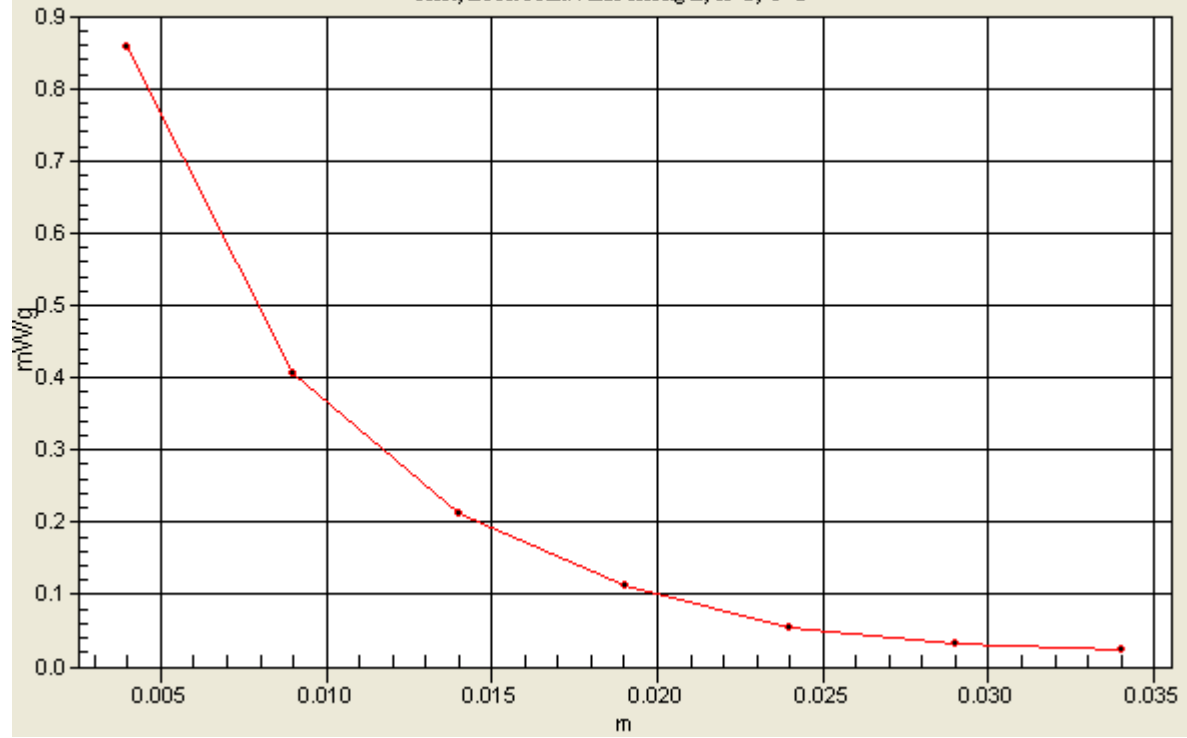
SAR(1 g) = 0.727 mW/g; SAR(10 g) = 0.275 mW/g

Maximum value of SAR (measured) = 0.859 mW/g



1g/10g Averaged SAR

SAR; Zoon Scan: Value Along Z, X=3, Y=3



Test Laboratory: Advance Data Technology

DX-X5M30UR 11b Front Mode 3 Ch 6

DUT: Handheld Terminal ; Type: DX-X5M30UR ; Test Channel Frequency: 2437 MHz

Communication System: 802.11b ; Frequency: 2437 MHz ; Duty Cycle: 1:1 ; Modulation type: CCK
Medium: MSL2450 Medium parameters used: $f = 2437$ MHz; $\sigma = 2.02$ mho/m; $\epsilon_r = 52.1$; $\rho = 1000$

kg/m³ ; Liquid level : 155mm

Phantom section: Flat Section ; Separation distance : 0 mm (The front side of the EUT to the Phantom)

Antenna type : Internal Antenna ; Air temp. : 22.0 degrees ; Liquid temp. : 21.0 degrees

DASY4 Configuration:

- Probe: ET3DV6 - SN1687 ; ConvF(4.23, 4.23, 4.23) ; Calibrated: 2004/8/26
- Sensor-Surface: 4mm (Mechanical Surface Detection)
- Electronics: DAE3 Sn510 ; Calibrated: 2004/8/17
- Phantom: SAM 12 ; Type: SAM V4.0 ; Serial: TP 1202
- Measurement SW: DASY4, V4.3 Build 22 ; Postprocessing SW: SEMCAD, V1.8 Build 127

Middle Channel/Area Scan (7x8x1): Measurement grid: dx=15mm, dy=15mm

Maximum value of SAR (measured) = 0.671 mW/g

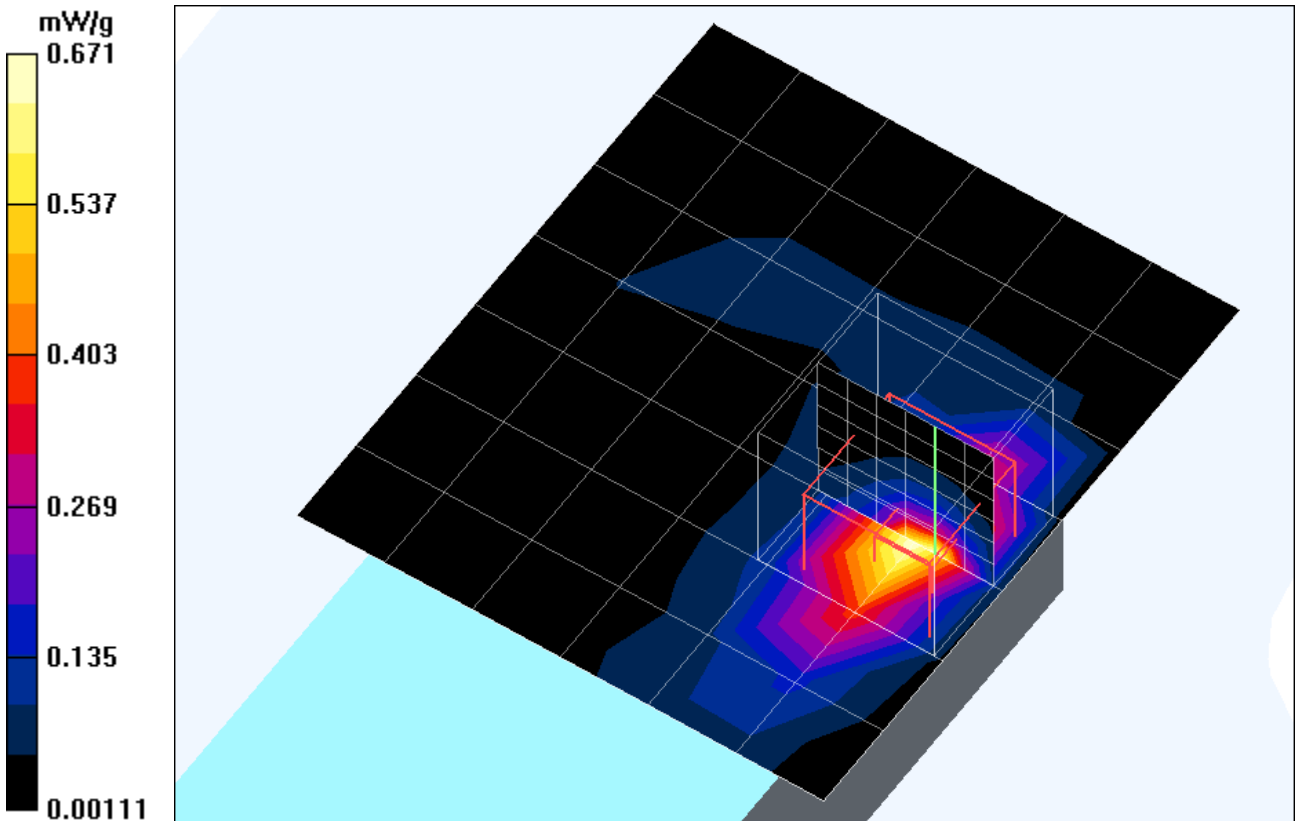
Middle Channel/Zoon Scan (7x7x7)/Cube 0: Measurement grid: dx=5mm, dy=5mm, dz=5mm

Reference Value = 5.97 V/m; Power Drift = -0.2 dB

Peak SAR (extrapolated) = 1.38 W/kg

SAR(1 g) = 0.572 mW/g; SAR(10 g) = 0.226 mW/g

Maximum value of SAR (measured) = 0.703 mW/g



Test Laboratory: Advance Data Technology

DX-X5M30UR 11b Front Mode 3 Ch 11

DUT: Handheld Terminal ; Type: DX-X5M30UR ; Test Channel Frequency: 2462 MHz

Communication System: 802.11b ; Frequency: 2462 MHz ; Duty Cycle: 1:1 ; Modulation type: CCK
Medium: MSL2450 Medium parameters used: $f = 2462$ MHz; $\sigma = 2.05$ mho/m; $\epsilon_r = 52$; $\rho = 1000$

kg/m³ ; Liquid level : 155mm

Phantom section: Flat Section ; Separation distance : 0 mm (The front side of the EUT to the Phantom)

Antenna type : Internal Antenna ; Air temp. : 22.0 degrees ; Liquid temp. : 21.0 degrees

DASY4 Configuration:

- Probe: ET3DV6 - SN1687 ; ConvF(4.23, 4.23, 4.23) ; Calibrated: 2004/8/26
- Sensor-Surface: 4mm (Mechanical Surface Detection)
- Electronics: DAE3 Sn510 ; Calibrated: 2004/8/17
- Phantom: SAM 12 ; Type: SAM V4.0 ; Serial: TP 1202
- Measurement SW: DASY4, V4.3 Build 22 ; Postprocessing SW: SEMCAD, V1.8 Build 127

High Channel/Area Scan (7x8x1): Measurement grid: dx=15mm, dy=15mm

Maximum value of SAR (measured) = 0.526 mW/g

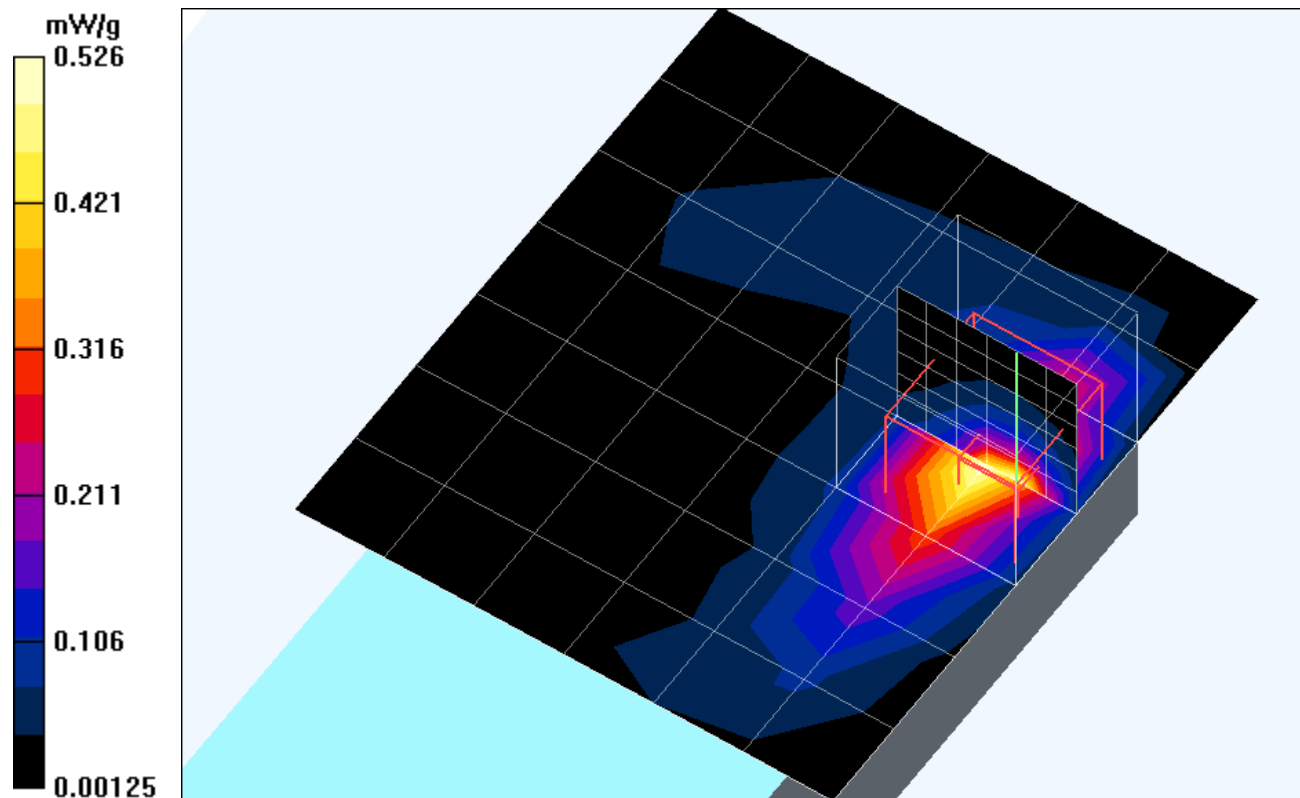
High Channel/Zoon Scan (7x7x7)/Cube 0: Measurement grid: dx=5mm, dy=5mm, dz=5mm

Reference Value = 4.81 V/m; Power Drift = -0.2 dB

Peak SAR (extrapolated) = 1.2 W/kg

SAR(1 g) = 0.504 mW/g; SAR(10 g) = 0.199 mW/g

Maximum value of SAR (measured) = 0.615 mW/g



Test Laboratory: Advance Data Technology

DX-X5M30UR Bluetooth Bottom Mode 4 Ch 0

DUT: Handheld Terminal ; Type: DX-X5M30UR ; Test Channel Frequency: 2402 MHz

Communication System: Bluetooth ; Frequency: 2402 MHz ; Duty Cycle: 1:1 ; Modulation type: GMSK

Medium: MSL2450 Medium parameters used: $f = 2402$ MHz; $\sigma = 1.97$ mho/m; $\epsilon_r = 52.2$; $\rho = 1000$ kg/m³ ; Liquid level : 155mm

Phantom section: Flat Section ; Separation distance : 0 mm (The bottom side of the EUT to the Phantom)

Antenna type : Internal Antenna ; Air temp. : 22.0 degrees ; Liquid temp. : 21.0 degrees

DASY4 Configuration:

- Probe: ET3DV6 - SN1687 ; ConvF(4.23, 4.23, 4.23) ; Calibrated: 2004/8/26
- Sensor-Surface: 4mm (Mechanical Surface Detection)
- Electronics: DAE3 Sn510 ; Calibrated: 2004/8/17
- Phantom: SAM 12 ; Type: SAM V4.0 ; Serial: TP 1202
- Measurement SW: DASY4, V4.3 Build 22 ; Postprocessing SW: SEMCAD, V1.8 Build 127

Low Channel/Area Scan (7x8x1): Measurement grid: dx=15mm, dy=15mm

Maximum value of SAR (measured) = 0.00582 mW/g

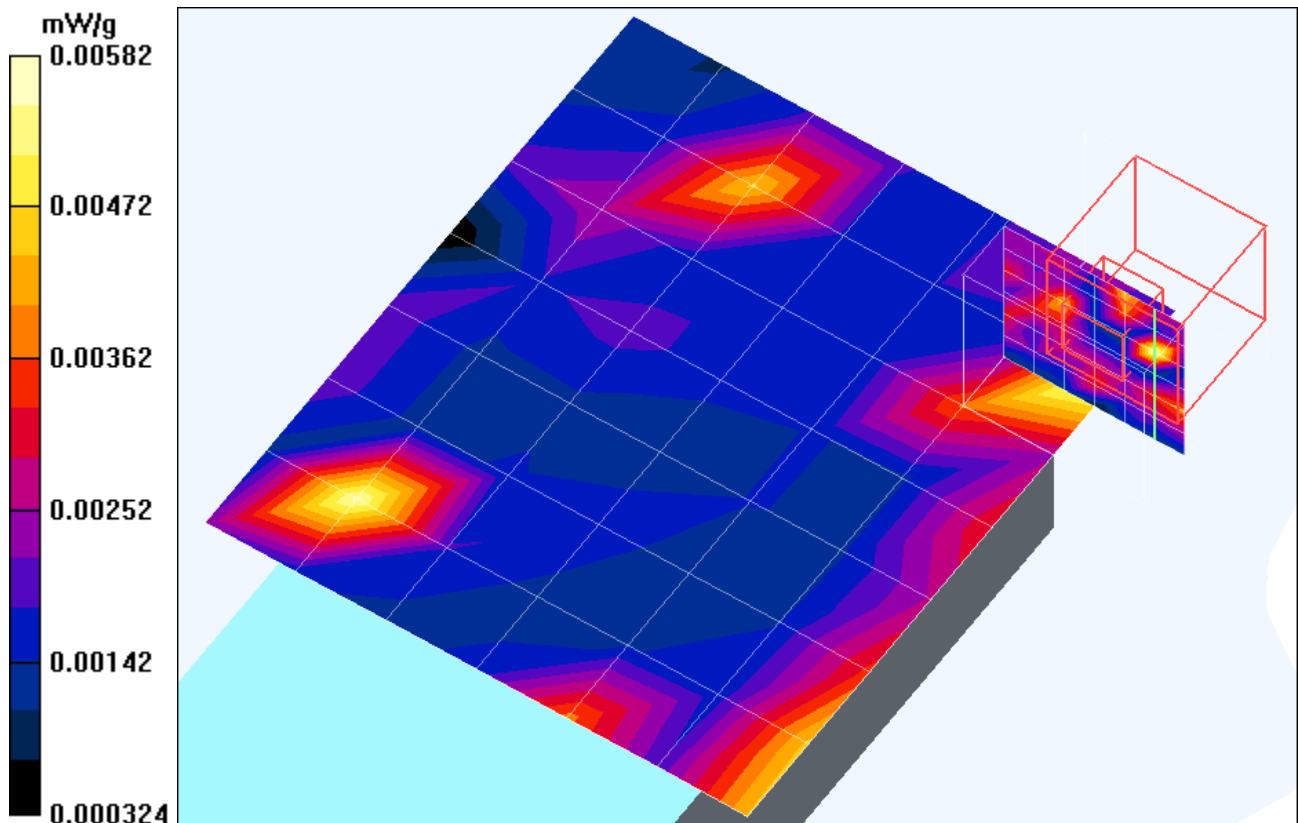
Low Channel/Zoon Scan (7x7x7)/Cube 0: Measurement grid: dx=5mm, dy=5mm, dz=5mm

Reference Value = 1.29 V/m; Power Drift = -0.2 dB

Peak SAR (extrapolated) = 0.00966 W/kg

SAR(1 g) = 0.000308 mW/g; SAR(10 g) = 7.79e-005 mW/g

Maximum value of SAR (measured) = 0.00966 mW/g



Test Laboratory: Advance Data Technology

DX-X5M30UR Bluetooth Bottom Mode 4 Ch 39

DUT: Handheld Terminal ; Type: DX-X5M30UR ; Test Channel Frequency: 2441 MHz

Communication System: Bluetooth ; Frequency: 2441 MHz ; Duty Cycle: 1:1 ; Modulation type: GMSK

Medium: MSL2450 Medium parameters used: $f = 2441$ MHz; $\sigma = 2.02$ mho/m; $\epsilon_r = 52$; $\rho = 1000$ kg/m³ ; Liquid level : 155mm

Phantom section: Flat Section ; Separation distance : 0 mm (The bottom side of the EUT to the Phantom)

Antenna type : Internal Antenna ; Air temp. : 22.0 degrees ; Liquid temp. : 21.0 degrees

DASY4 Configuration:

- Probe: ET3DV6 - SN1687 ; ConvF(4.23, 4.23, 4.23) ; Calibrated: 2004/8/26
- Sensor-Surface: 4mm (Mechanical Surface Detection)
- Electronics: DAE3 Sn510 ; Calibrated: 2004/8/17
- Phantom: SAM 12 ; Type: SAM V4.0 ; Serial: TP 1202
- Measurement SW: DASY4, V4.3 Build 22 ; Postprocessing SW: SEMCAD, V1.8 Build 127

Middle Channel/Area Scan (7x8x1): Measurement grid: dx=15mm, dy=15mm

Maximum value of SAR (measured) = 0.00538 mW/g

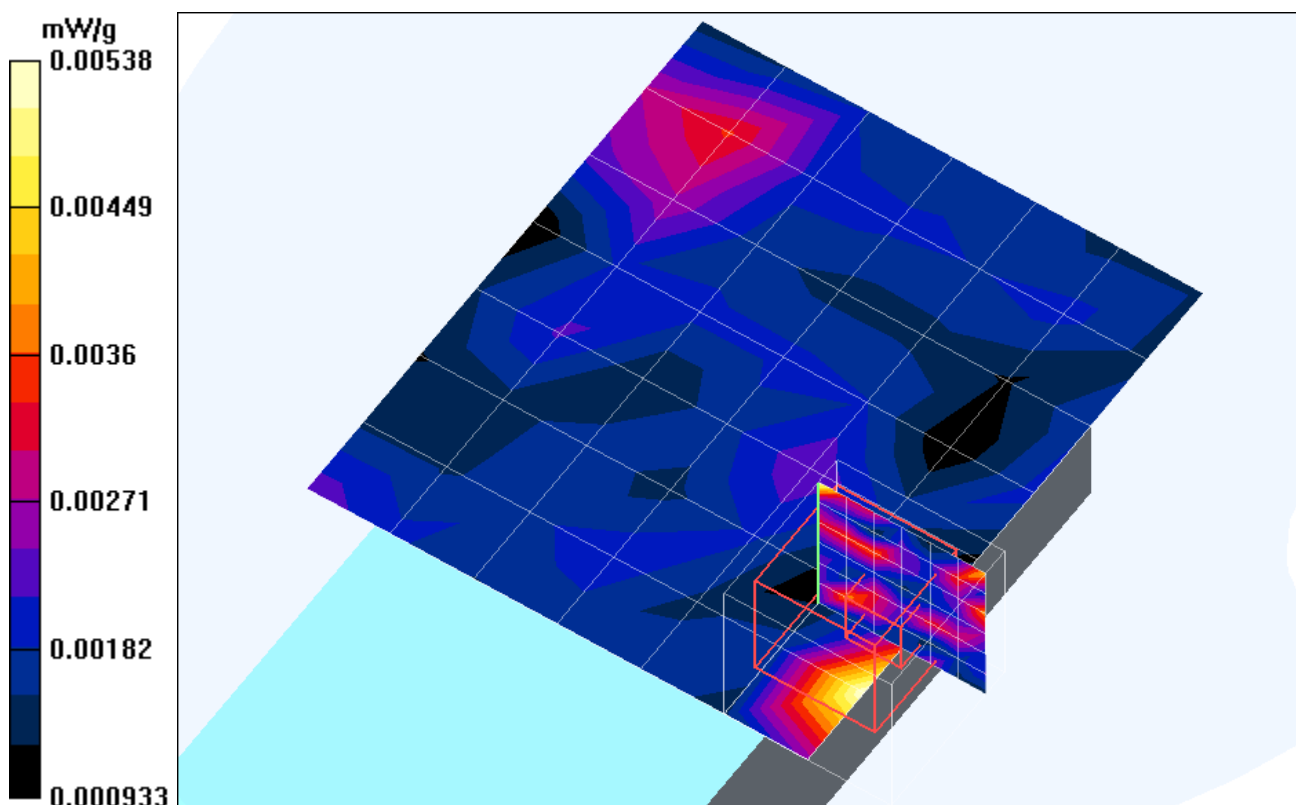
Middle Channel/Zoon Scan (7x7x7)/Cube 0: Measurement grid: dx=5mm, dy=5mm, dz=5mm

Reference Value = 0.997 V/m; Power Drift = -0.0 dB

Peak SAR (extrapolated) = 0.011 W/kg

SAR(1 g) = 0.000183 mW/g; SAR(10 g) = 4.98e-005 mW/g

Maximum value of SAR (measured) = 0.011 mW/g



Test Laboratory: Advance Data Technology

DX-X5M30UR Bluetooth Bottom Mode 4 Ch 78

DUT: Handheld Terminal ; Type: DX-X5M30UR ; Test Channel Frequency: 2480 MHz

Communication System: Bluetooth ; Frequency: 2480 MHz ; Duty Cycle: 1:1 ; Modulation type: GMSK

Medium: MSL2450 Medium parameters used: $f = 2480$ MHz; $\sigma = 2.08$ mho/m; $\epsilon_r = 51.9$; $\rho = 1000$ kg/m³ ; Liquid level : 155mm

Phantom section: Flat Section ; Separation distance : 0 mm (The bottom side of the EUT to the Phantom)

Antenna type : Internal Antenna ; Air temp. : 22.0 degrees ; Liquid temp. : 21.0 degrees

DASY4 Configuration:

- Probe: ET3DV6 - SN1687 ; ConvF(4.23, 4.23, 4.23) ; Calibrated: 2004/8/26
- Sensor-Surface: 4mm (Mechanical Surface Detection)
- Electronics: DAE3 Sn510 ; Calibrated: 2004/8/17
- Phantom: SAM 12 ; Type: SAM V4.0 ; Serial: TP 1202
- Measurement SW: DASY4, V4.3 Build 22 ; Postprocessing SW: SEMCAD, V1.8 Build 127

High Channel/Area Scan (7x8x1): Measurement grid: dx=15mm, dy=15mm

Maximum value of SAR (measured) = 0.0066 mW/g

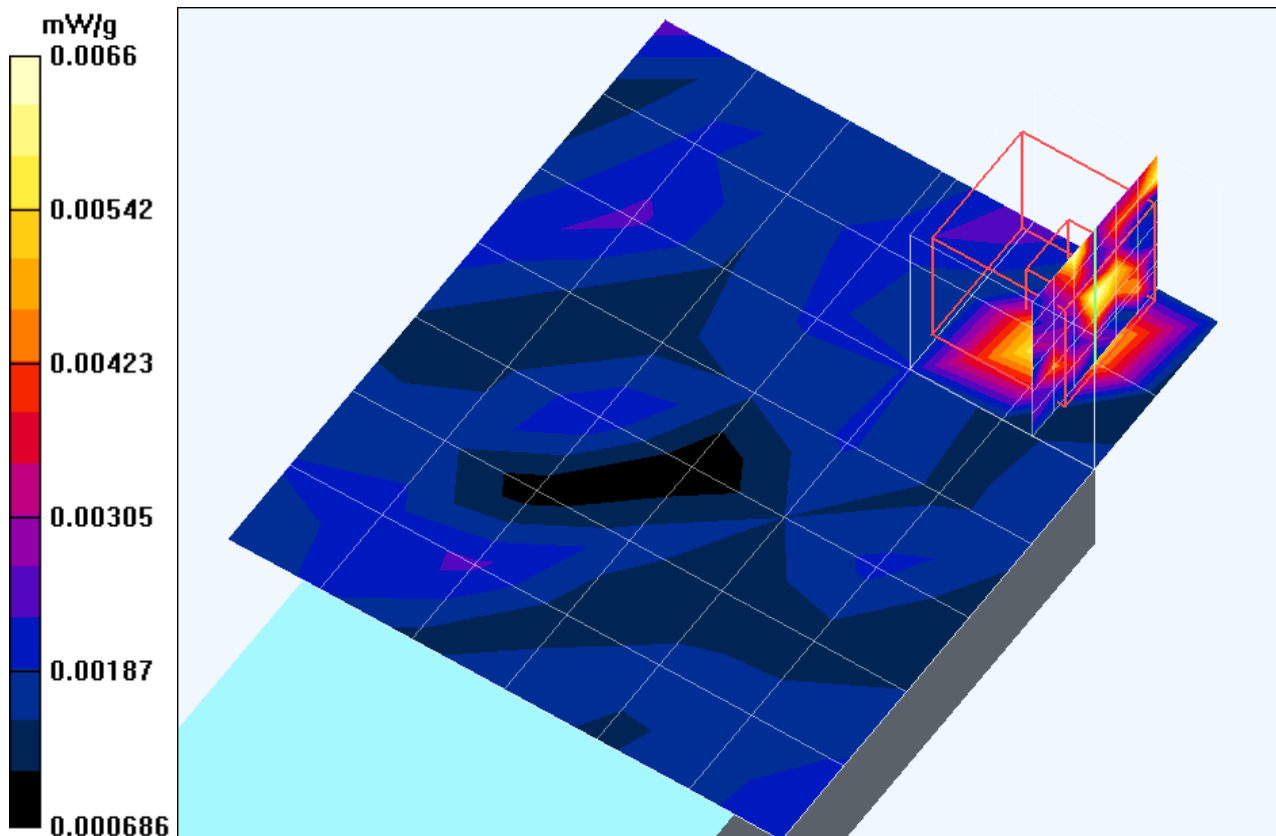
High Channel/Zoon Scan (7x7x7)/Cube 0: Measurement grid: dx=5mm, dy=5mm, dz=5mm

Reference Value = 1.42 V/m; Power Drift = -0.2 dB

Peak SAR (extrapolated) = 0.00843 W/kg

SAR(1 g) = 0.000431 mW/g; SAR(10 g) = 7.41e-005 mW/g

Maximum value of SAR (measured) = 0.00882 mW/g



Test Laboratory: Advance Data Technology

DX-X5M30UR Bluetooth Tip Mode 5 Ch 0

DUT: Handheld Terminal ; Type: DX-X5M30UR ; Test Channel Frequency: 2402 MHz

Communication System: Bluetooth ; Frequency: 2402 MHz; Duty Cycle: 1:1; Modulation type: GMSK

Medium: MSL2450 Medium parameters used: $f = 2402$ MHz; $\sigma = 1.97$ mho/m; $\epsilon_r = 52.2$; $\rho = 1000$ kg/m³ ; Liquid level : 155 mm

Phantom section: Flat Section ; Separation distance : 0 mm (The tip of the EUT to the Phantom)

Antenna type : Internal Antenna ; Air temp. : 22.0 degrees ; Liquid temp. : 21.0 degrees

DASY4 Configuration:

- Probe: ET3DV6 - SN1687 ; ConvF(4.23, 4.23, 4.23) ; Calibrated: 2004/8/26
- Sensor-Surface: 4mm (Mechanical Surface Detection)
- Electronics: DAE3 Sn510; Calibrated: 2004/8/17
- Phantom: SAM 12; Type: SAM V4.0; Serial: TP 1202
- Measurement SW: DASY4, V4.3 Build 22; Postprocessing SW: SEMCAD, V1.8 Build 127

Low Channel/Area Scan (6x9x1): Measurement grid: dx=15mm, dy=15mm

Maximum value of SAR (measured) = 0.00711 mW/g

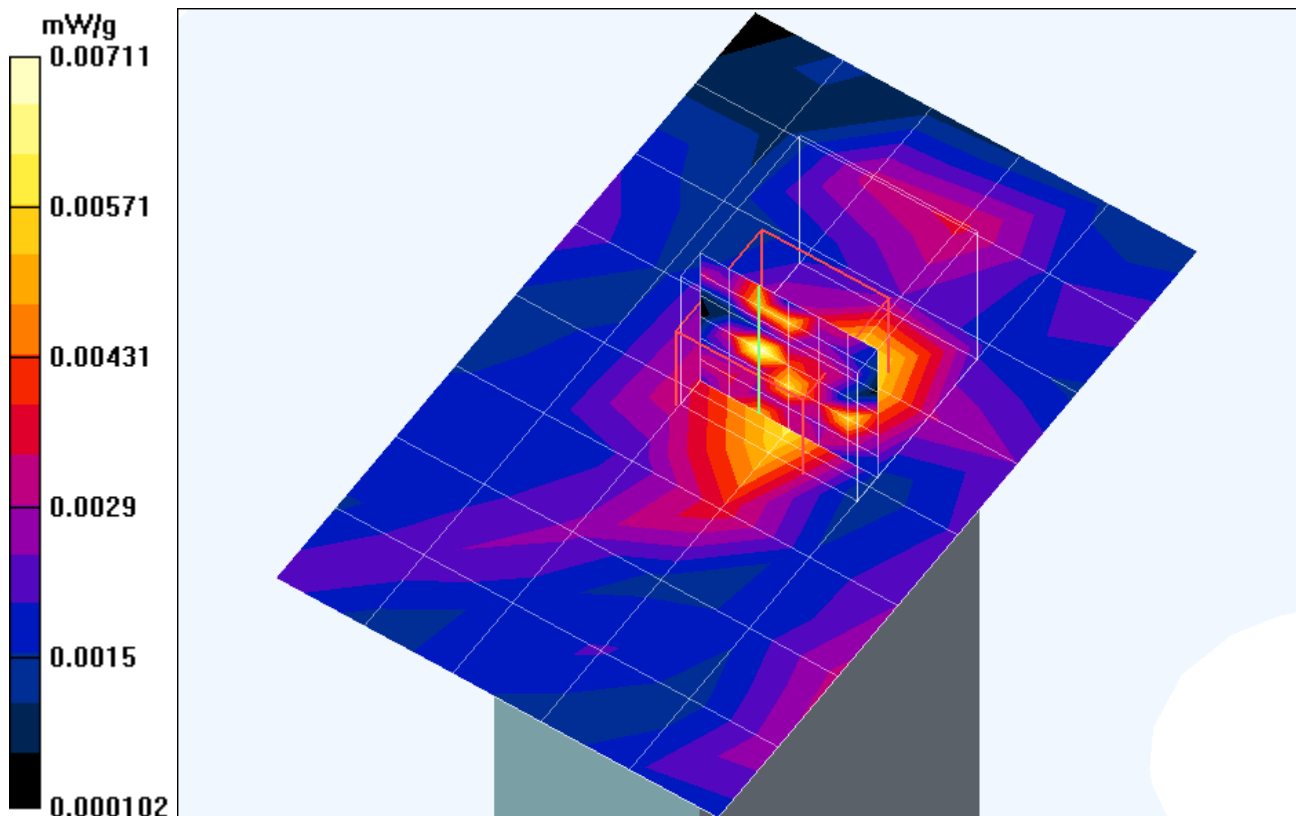
Low Channel/Zoon Scan (7x7x7)/Cube 0: Measurement grid: dx=5mm, dy=5mm, dz=5mm

Reference Value = 1.77 V/m; Power Drift = 0.2 dB

Peak SAR (extrapolated) = 0.056 W/kg

SAR(1 g) = 0.00921 mW/g; SAR(10 g) = 0.00237 mW/g

Maximum value of SAR (measured) = 0.011 mW/g



Test Laboratory: Advance Data Technology

DX-X5M30UR Bluetooth Tip Mode 5 Ch 39**DUT: Handheld Terminal ; Type: DX-X5M30UR ; Test Channel Frequency: 2441 MHz**

Communication System: Bluetooth ; Frequency: 2441 MHz; Duty Cycle: 1:1; Modulation type: GMSK

Medium: MSL2450 Medium parameters used: $f = 2441$ MHz; $\sigma = 2.02$ mho/m; $\epsilon_r = 52$; $\rho = 1000$ kg/m³ ; Liquid level : 155 mm

Phantom section: Flat Section ; Separation distance : 0 mm (The tip of the EUT to the Phantom)

Antenna type : Internal Antenna ; Air temp. : 22.0 degrees ; Liquid temp. : 21.0 degrees

DASY4 Configuration:

- Probe: ET3DV6 - SN1687 ; ConvF(4.23, 4.23, 4.23) ; Calibrated: 2004/8/26
- Sensor-Surface: 4mm (Mechanical Surface Detection)
- Electronics: DAE3 Sn510; Calibrated: 2004/8/17
- Phantom: SAM 12; Type: SAM V4.0; Serial: TP 1202
- Measurement SW: DASY4, V4.3 Build 22; Postprocessing SW: SEMCAD, V1.8 Build 127

Middle Channel/Area Scan (6x9x1): Measurement grid: dx=15mm, dy=15mm

Maximum value of SAR (measured) = 0.00475 mW/g

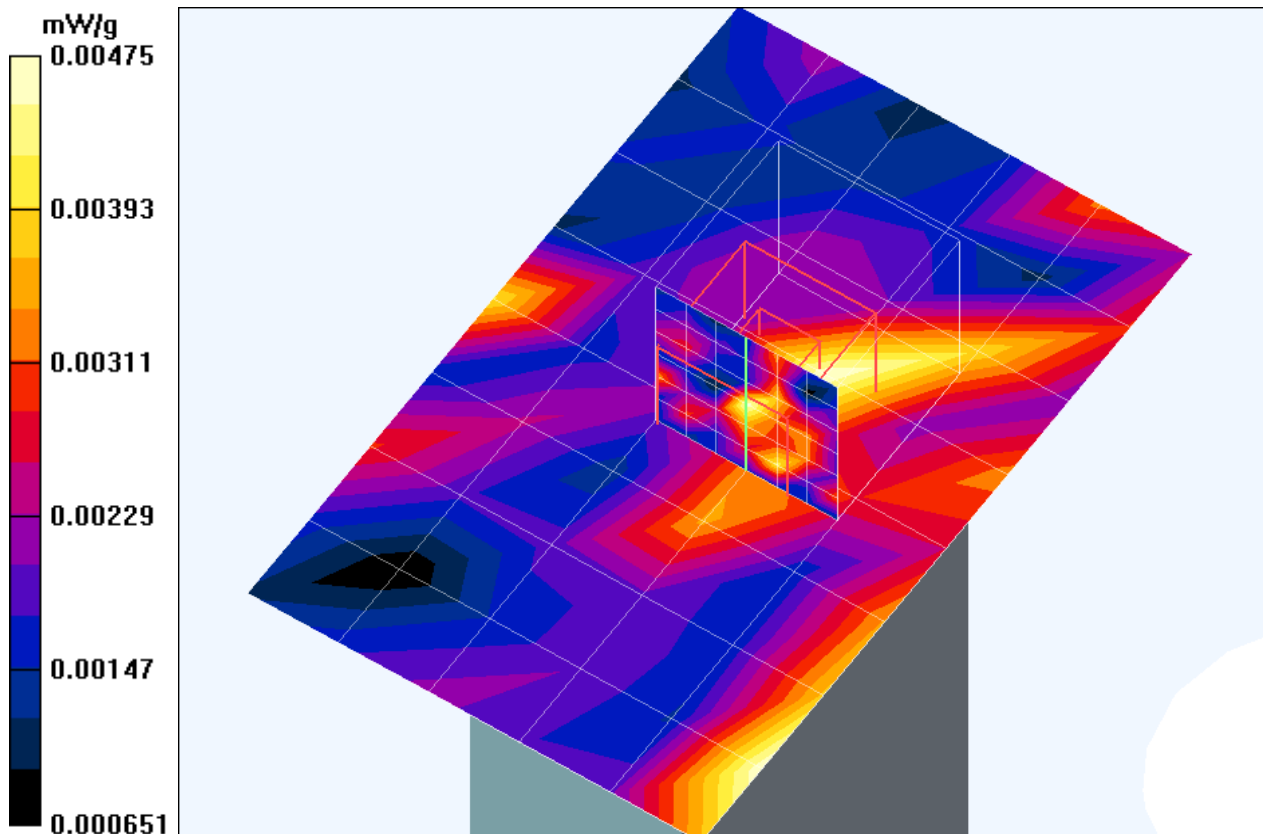
Middle Channel/Zoon Scan (7x7x7)/Cube 0: Measurement grid: dx=5mm, dy=5mm, dz=5mm

Reference Value = 1.52 V/m; Power Drift = -0.2 dB

Peak SAR (extrapolated) = 0.303 W/kg

SAR(1 g) = 0.00641 mW/g; SAR(10 g) = 0.00167 mW/g

Maximum value of SAR (measured) = 0.011 mW/g



Test Laboratory: Advance Data Technology

DX-X5M30UR Bluetooth Tip Mode 5 Ch 78

DUT: Handheld Terminal ; Type: DX-X5M30UR ; Test Channel Frequency: 2480 MHz

Communication System: Bluetooth ; Frequency: 2480 MHz; Duty Cycle: 1:1; Modulation type: GMSK

Medium: MSL2450 Medium parameters used: $f = 2480$ MHz; $\sigma = 2.08$ mho/m; $\epsilon_r = 51.9$; $\rho = 1000$ kg/m³ ; Liquid level : 155 mm

Phantom section: Flat Section ; Separation distance : 0 mm (The tip of the EUT to the Phantom)

Antenna type : Internal Antenna ; Air temp. : 22.0 degrees ; Liquid temp. : 21.0 degrees

DASY4 Configuration:

- Probe: ET3DV6 - SN1687 ; ConvF(4.23, 4.23, 4.23) ; Calibrated: 2004/8/26
- Sensor-Surface: 4mm (Mechanical Surface Detection)
- Electronics: DAE3 Sn510; Calibrated: 2004/8/17
- Phantom: SAM 12; Type: SAM V4.0; Serial: TP 1202
- Measurement SW: DASY4, V4.3 Build 22; Postprocessing SW: SEMCAD, V1.8 Build 127

High Channel/Area Scan (6x9x1): Measurement grid: dx=15mm, dy=15mm

Maximum value of SAR (measured) = 0.00547 mW/g

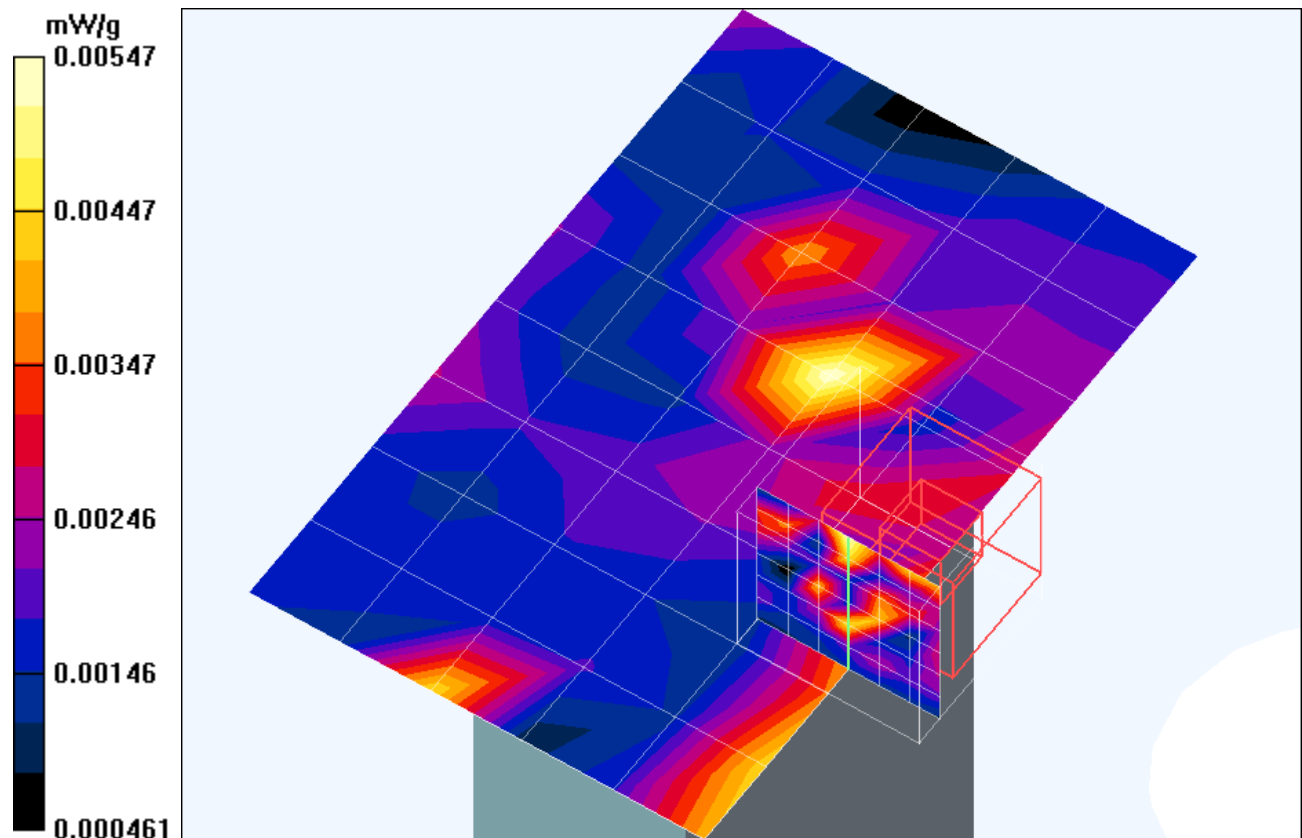
High Channel/Zoon Scan (7x7x7)/Cube 0: Measurement grid: dx=5mm, dy=5mm, dz=5mm

Reference Value = 1.28 V/m; Power Drift = -0.2 dB

Peak SAR (extrapolated) = 0.00978 W/kg

SAR(1 g) = 8.99e-005 mW/g; SAR(10 g) = 2.13e-005 mW/g

Maximum value of SAR (measured) = 0.00978 mW/g



Test Laboratory: Advance Data Technology

DX-X5M30UR Bluetooth Front Mode 6 Ch 0

DUT: Handheld Terminal ; Type: DX-X5M30UR ; Test Channel Frequency: 2402 MHz

Communication System: Bluetooth ; Frequency: 2402 MHz ; Duty Cycle: 1:1 ; Modulation type: GMSK

Medium: MSL2450 Medium parameters used: $f = 2402$ MHz; $\sigma = 1.97$ mho/m; $\epsilon_r = 52.2$; $\rho = 1000$ kg/m³ ; Liquid level : 155mm

Phantom section: Flat Section ; Separation distance : 0 mm (The front side of the EUT to the Phantom)

Antenna type : Internal Antenna ; Air temp. : 22.0 degrees ; Liquid temp. : 21.0 degrees

DASY4 Configuration:

- Probe: ET3DV6 - SN1687 ; ConvF(4.23, 4.23, 4.23) ; Calibrated: 2004/8/26
- Sensor-Surface: 4mm (Mechanical Surface Detection)
- Electronics: DAE3 Sn510 ; Calibrated: 2004/8/17
- Phantom: SAM 12 ; Type: SAM V4.0 ; Serial: TP 1202
- Measurement SW: DASY4, V4.3 Build 22 ; Postprocessing SW: SEMCAD, V1.8 Build 127

Low Channel/Area Scan (7x8x1): Measurement grid: dx=15mm, dy=15mm

Maximum value of SAR (measured) = 0.00456 mW/g

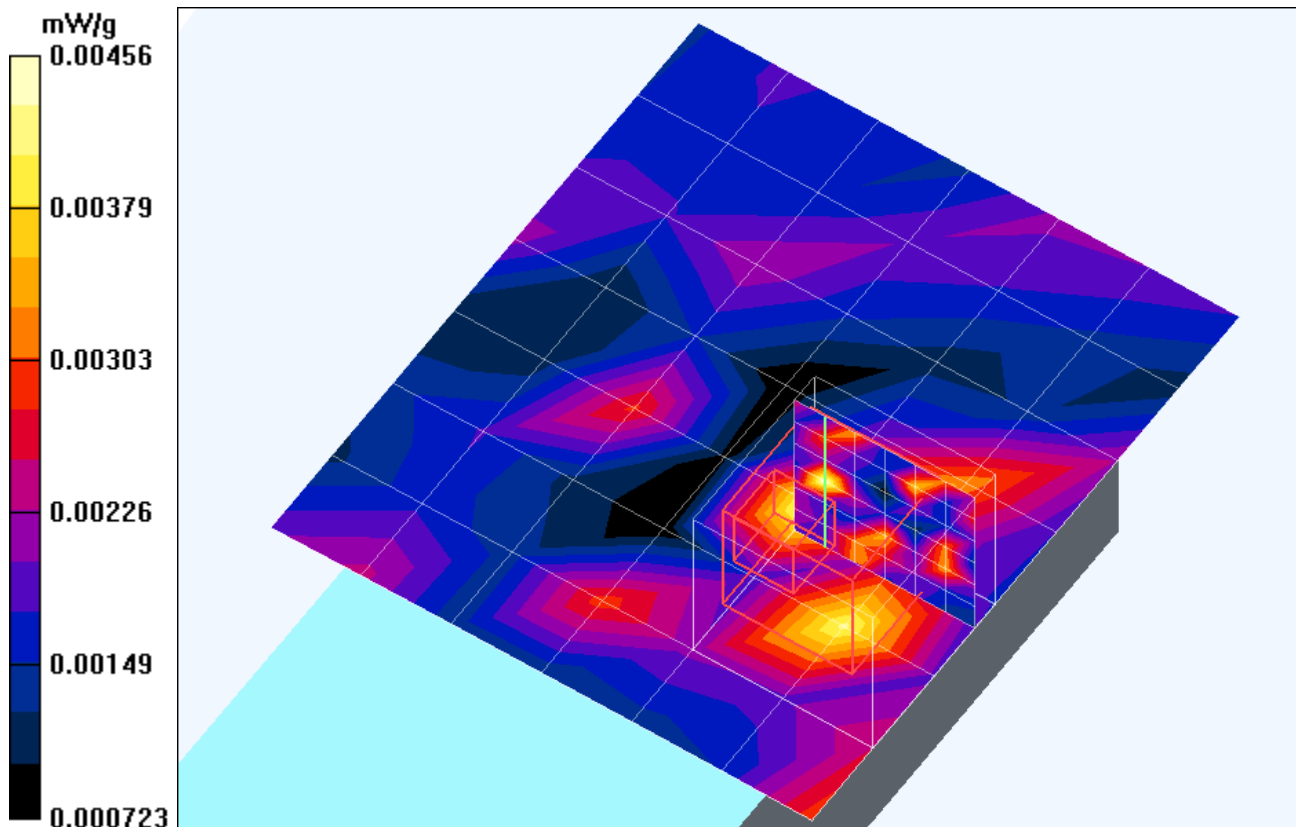
Low Channel/Zoon Scan (7x7x7)/Cube 0: Measurement grid: dx=5mm, dy=5mm, dz=5mm

Reference Value = 1.11 V/m; Power Drift = -0.2 dB

Peak SAR (extrapolated) = 0.00833 W/kg

SAR(1 g) = 0.000122 mW/g; SAR(10 g) = 2.54e-005 mW/g

Maximum value of SAR (measured) = 0.00846 mW/g



Test Laboratory: Advance Data Technology

DX-X5M30UR Bluetooth Front Mode 6 Ch 39

DUT: Handheld Terminal ; Type: DX-X5M30UR ; Test Channel Frequency: 2441 MHz

Communication System: Bluetooth ; Frequency: 2441 MHz ; Duty Cycle: 1:1 ; Modulation type: GMSK

Medium: MSL2450 Medium parameters used: $f = 2441$ MHz; $\sigma = 2.02$ mho/m; $\epsilon_r = 52$; $\rho = 1000$ kg/m³ ; Liquid level : 155mm

Phantom section: Flat Section ; Separation distance : 0 mm (The front side of the EUT to the Phantom)

Antenna type : Internal Antenna ; Air temp. : 22.0 degrees ; Liquid temp. : 21.0 degrees

DASY4 Configuration:

- Probe: ET3DV6 - SN1687 ; ConvF(4.23, 4.23, 4.23) ; Calibrated: 2004/8/26
- Sensor-Surface: 4mm (Mechanical Surface Detection)
- Electronics: DAE3 Sn510 ; Calibrated: 2004/8/17
- Phantom: SAM 12 ; Type: SAM V4.0 ; Serial: TP 1202
- Measurement SW: DASY4, V4.3 Build 22 ; Postprocessing SW: SEMCAD, V1.8 Build 127

Middle Channel/Area Scan (7x8x1): Measurement grid: dx=15mm, dy=15mm

Maximum value of SAR (measured) = 0.00502 mW/g

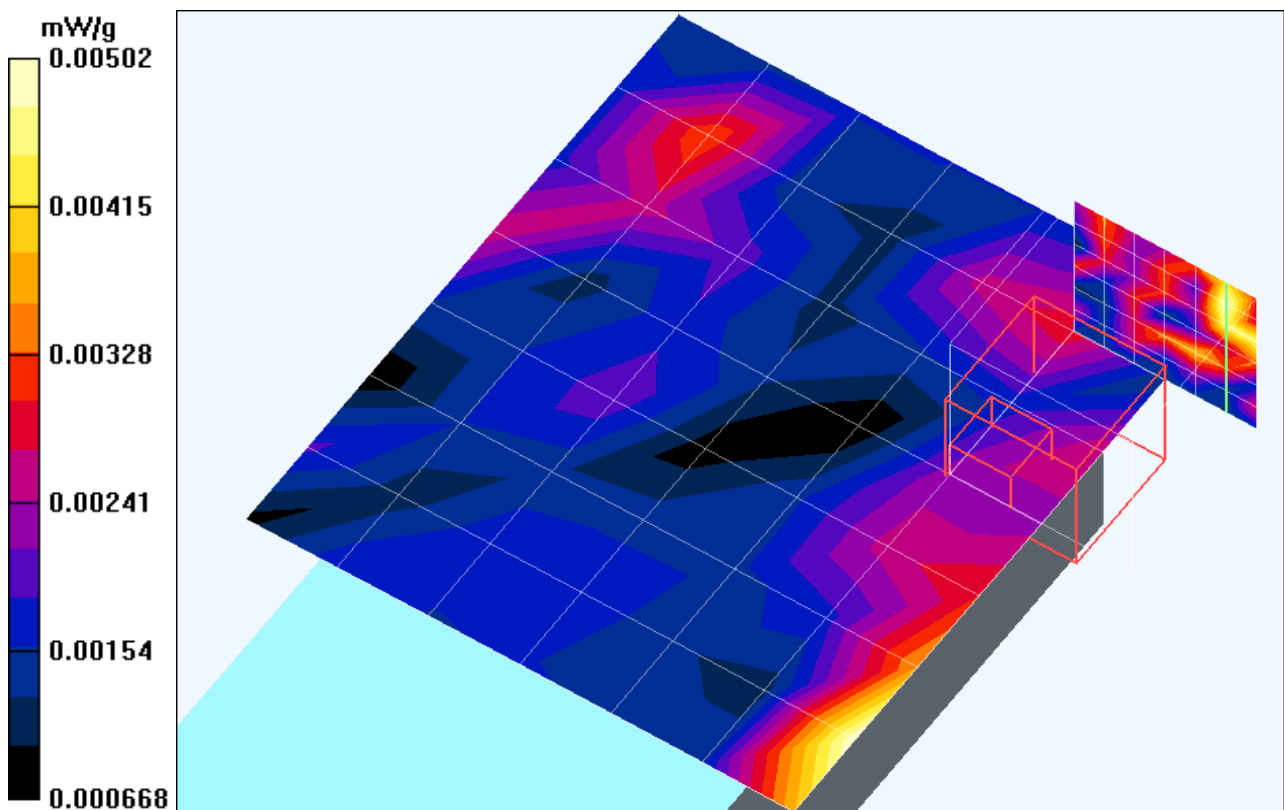
Middle Channel/Zoon Scan (7x7x7)/Cube 0: Measurement grid: dx=5mm, dy=5mm, dz=5mm

Reference Value = 1.26 V/m; Power Drift = -0.2 dB

Peak SAR (extrapolated) = 0.00989 W/kg

SAR(1 g) = 0.000139 mW/g; SAR(10 g) = 4.08e-005 mW/g

Maximum value of SAR (measured) = 0.00989 mW/g



Test Laboratory: Advance Data Technology

DX-X5M30UR Bluetooth Front Mode 6 Ch 78

DUT: Handheld Terminal ; Type: DX-X5M30UR ; Test Channel Frequency: 2480 MHz

Communication System: Bluetooth ; Frequency: 2480 MHz ; Duty Cycle: 1:1 ; Modulation type: GMSK

Medium: MSL2450 Medium parameters used: $f = 2480$ MHz; $\sigma = 2.08$ mho/m; $\epsilon_r = 51.9$; $\rho = 1000$ kg/m³ ; Liquid level : 155mm

Phantom section: Flat Section ; Separation distance : 0 mm (The front side of the EUT to the Phantom)

Antenna type : Internal Antenna ; Air temp. : 22.0 degrees ; Liquid temp. : 21.0 degrees

DASY4 Configuration:

- Probe: ET3DV6 - SN1687 ; ConvF(4.23, 4.23, 4.23) ; Calibrated: 2004/8/26
- Sensor-Surface: 4mm (Mechanical Surface Detection)
- Electronics: DAE3 Sn510 ; Calibrated: 2004/8/17
- Phantom: SAM 12 ; Type: SAM V4.0 ; Serial: TP 1202
- Measurement SW: DASY4, V4.3 Build 22 ; Postprocessing SW: SEMCAD, V1.8 Build 127

High Channel/Area Scan (7x8x1): Measurement grid: dx=15mm, dy=15mm

Maximum value of SAR (measured) = 0.00702 mW/g

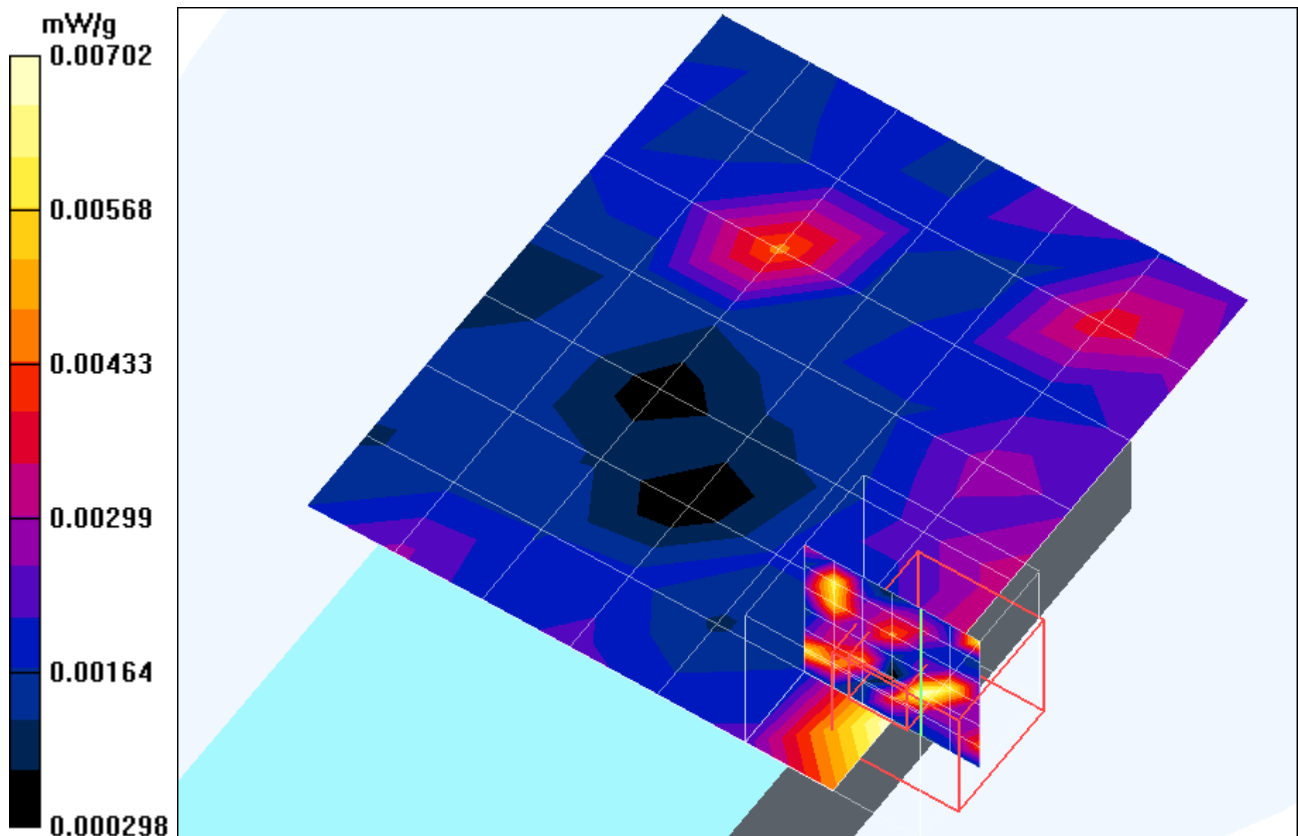
High Channel/Zoon Scan (7x7x7)/Cube 0: Measurement grid: dx=5mm, dy=5mm, dz=5mm

Reference Value = 1.28 V/m; Power Drift = -0.2 dB

Peak SAR (extrapolated) = 0.00932 W/kg

SAR(1 g) = 0.000198 mW/g; SAR(10 g) = 5.14e-005 mW/g

Maximum value of SAR (measured) = 0.00932 mW/g



Test Laboratory: Advance Data Technology

DX-X5M30UR Front Mode 7 11b Ch 1 and Bluetooth Ch 0

DUT: Handheld Terminal ; Type: DX-X5M30UR ; Test Channel Frequency: 2412 MHz

Communication System: 802.11b ; Frequency: 2412 MHz ; Duty Cycle: 1:1 ; Modulation type: CCK
Medium: MSL2450 Medium parameters used: $f = 2412$ MHz; $\sigma = 1.98$ mho/m; $\epsilon_r = 51.1$; $\rho = 1000$

kg/m³ ; Liquid level : 155 mm

Phantom section: Flat Section ; Separation distance : 0 mm (The front side of the EUT to the Phantom)

Antenna type : Internal Antenna ; Air temp. : 22.0 degrees ; Liquid temp. : 21.0 degrees

DASY4 Configuration:

- Probe: ET3DV6 - SN1687 ; ConvF(4.23, 4.23, 4.23) ; Calibrated: 2004/8/26
- Sensor-Surface: 4mm (Mechanical Surface Detection)
- Electronics: DAE3 Sn510 ; Calibrated: 2004/8/17
- Phantom: SAM 12 ; Type: SAM V4.0 ; Serial: TP 1202
- Measurement SW: DASY4, V4.4 Build 3 ; Postprocessing SW: SEMCAD, V1.8 Build 130

11b Low Channel and Bluetooth Low Channel/Area Scan (7x8x1): Measurement grid:

dx=15mm, dy=15mm

Maximum value of SAR (measured) = 0.865 mW/g

11b Low Channel and Bluetooth Low Channel/Zoon Scan (7x7x7)/Cube 0:

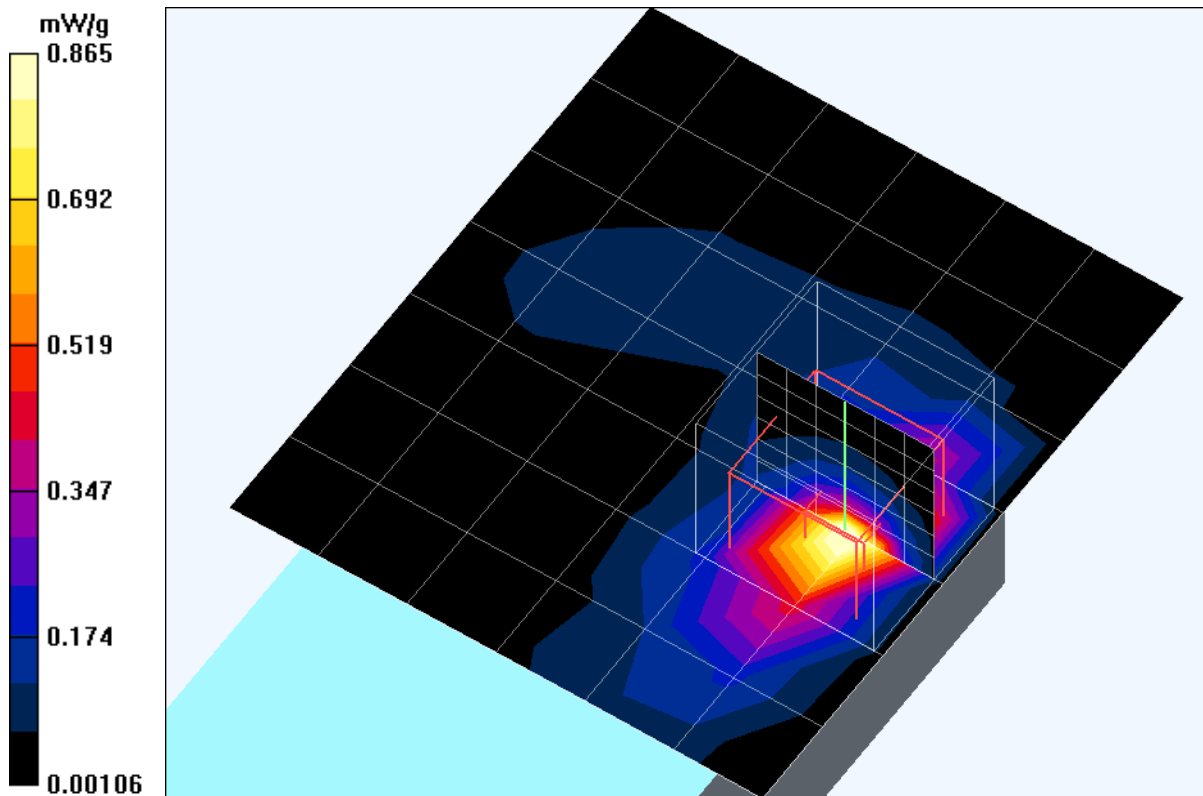
Measurement grid: dx=5mm, dy=5mm, dz=5mm

Reference Value = 6.7 V/m; Power Drift = -0.2 dB

Peak SAR (extrapolated) = 2 W/kg

SAR(1 g) = 0.701 mW/g; SAR(10 g) = 0.289 mW/g

Maximum value of SAR (measured) = 0.828 mW/g



A3 : SYSTEM VALIDATION

Date/Time: 10/21/04 09:23:09

Test Laboratory: Advance Data Technology

System Validation Check-MSL 2450MHz

DUT: Dipole 2450 MHz ; Type: D2450V2 ; Test Channel Frequency: 2450 MHz

Communication System: CW ; Frequency: 2450 MHz; Duty Cycle: 1:1; Modulation type: CW
Medium: MSL2450; Medium parameters used: $f = 2450$ MHz; $\sigma = 2.04$ mho/m; $\epsilon_r = 52$; $\rho = 1000$

kg/m³ ; Liquid level : 155mm

Phantom section: Flat Section ; Separation distance : 10 mm (The feetpoint of the dipole to the Phantom) Air temp. : 22.0 degrees ; Liquid temp. : 21.0 degrees

DASY4 Configuration:

- Probe: ET3DV6 - SN1687 ; ConvF(4.23, 4.23, 4.23) ; Calibrated: 2004/8/26
- Sensor-Surface: 4mm (Mechanical Surface Detection)
- Electronics: DAE3 Sn510; Calibrated: 2004/8/17
- Phantom: SAM 12; Type: SAM V4.0; Serial: TP 1202
- Measurement SW: DASY4, V4.3 Build 22; Postprocessing SW: SEMCAD, V1.8 Build 127

d=10mm, Pin=250mW/Area Scan (5x6x1): Measurement grid: dx=15mm, dy=15mm
Maximum value of SAR (measured) = 11.5 mW/g

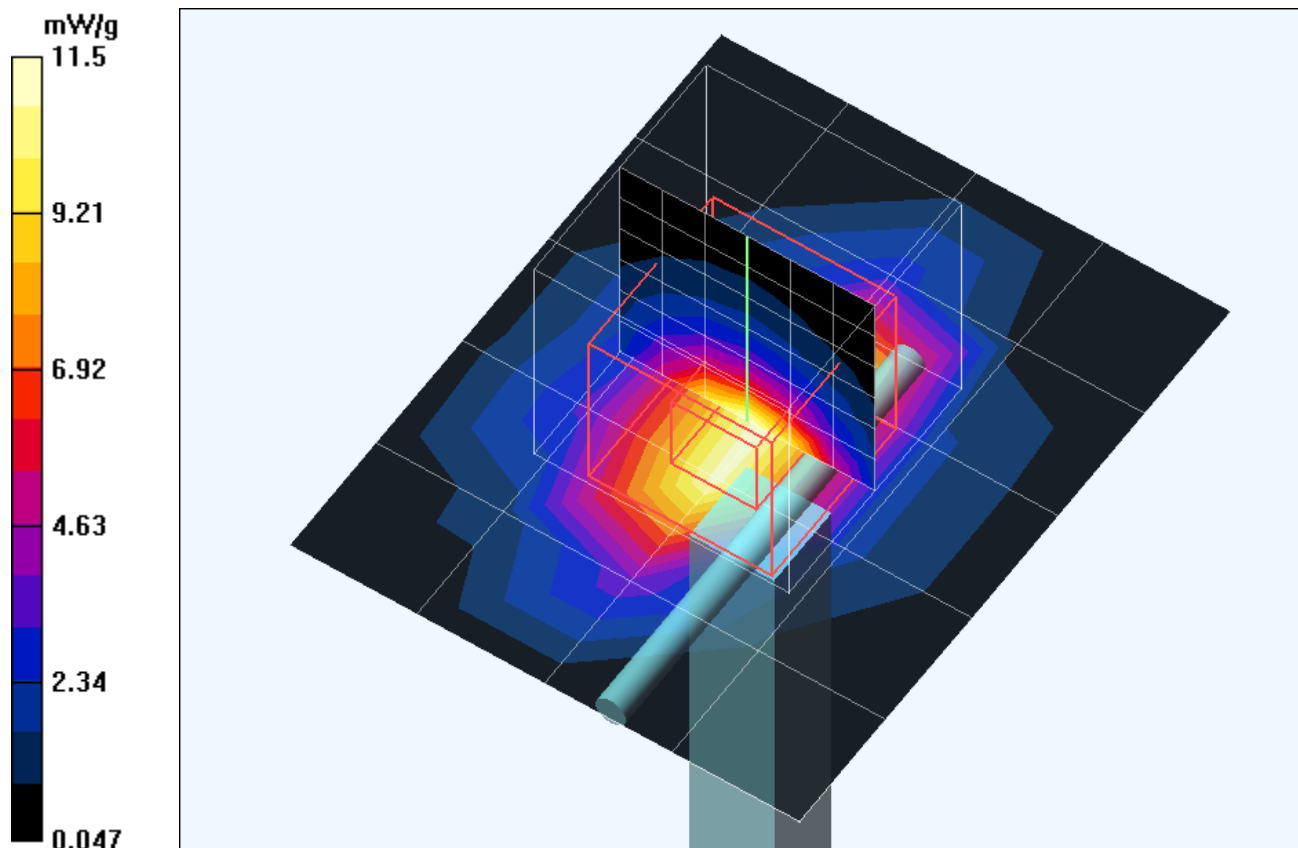
d=10mm, Pin=250mW/Zoom Scan (7x7x7) (7x7x7)/Cube 0: Measurement grid: dx=5mm, dy=5mm, dz=5mm

Reference Value = 82.2 V/m; Power Drift = -0.2 dB

Peak SAR (extrapolated) = 19.9 W/kg

SAR(1 g) = 11.1 mW/g; SAR(10 g) = 5.39 mW/g

Maximum value of SAR (measured) = 12.8 mW/g



Test Laboratory: Advance Data Technology

System Validation Check-MSL 2450MHz

DUT: Dipole 2450 MHz ; Type: D2450V2 ; Serial: 716 ; Test Channel Frequency: 2450 MHz

Communication System: CW ; Frequency: 2450 MHz; Duty Cycle: 1:1; Modulation type: CW
Medium: MSL2450; Medium parameters used: $f = 2450$ MHz; $\sigma = 2.03$ mho/m; $\epsilon_r = 51$; $\rho = 1000$

kg/m³ ; Liquid level : 155mm

Phantom section: Flat Section ; Separation distance : 10 mm (The feetpoint of the dipole to the Phantom) Air temp. : 22.0 degrees ; Liquid temp. : 21.0 degrees

DASY4 Configuration:

- Probe: ET3DV6 - SN1687 ; ConvF(4.23, 4.23, 4.23) ; Calibrated: 2004/8/26
- Sensor-Surface: 4mm (Mechanical Surface Detection)
- Electronics: DAE3 Sn510; Calibrated: 2004/8/17
- Phantom: SAM 12; Type: SAM V4.0; Serial: TP 1202
- Measurement SW: DASY4, V4.4 Build 3; Postprocessing SW: SEMCAD, V1.8 Build 130

d=10mm, Pin=250mW/Area Scan (5x6x1): Measurement grid: dx=15mm, dy=15mm
Maximum value of SAR (measured) = 13.4 mW/g

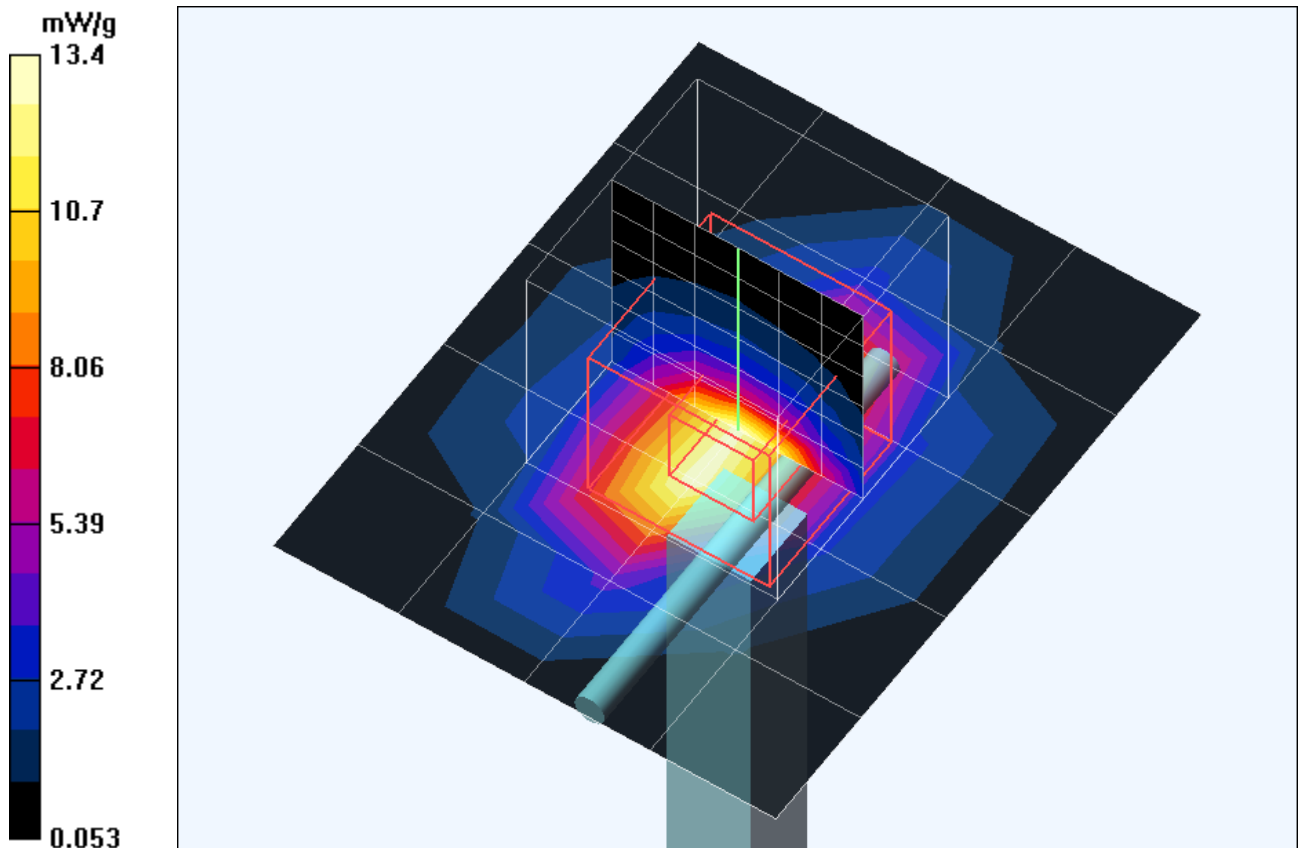
d=10mm, Pin=250mW/Zoom Scan (7x7x7)/Cube 0: Measurement grid: dx=5mm, dy=5mm, dz=5mm

Reference Value = 88.3 V/m; Power Drift = -0.2 dB

Peak SAR (extrapolated) = 25.7 W/kg

SAR(1 g) = 12.7 mW/g; SAR(10 g) = 5.99 mW/g

Maximum value of SAR (measured) = 14.4 mW/g



APPENDIX B : ADT SAR MEASUREMENT SYSTEM



APPENDIX C: PHOTOGRAPHS OF SYSTEM VALIDATION

