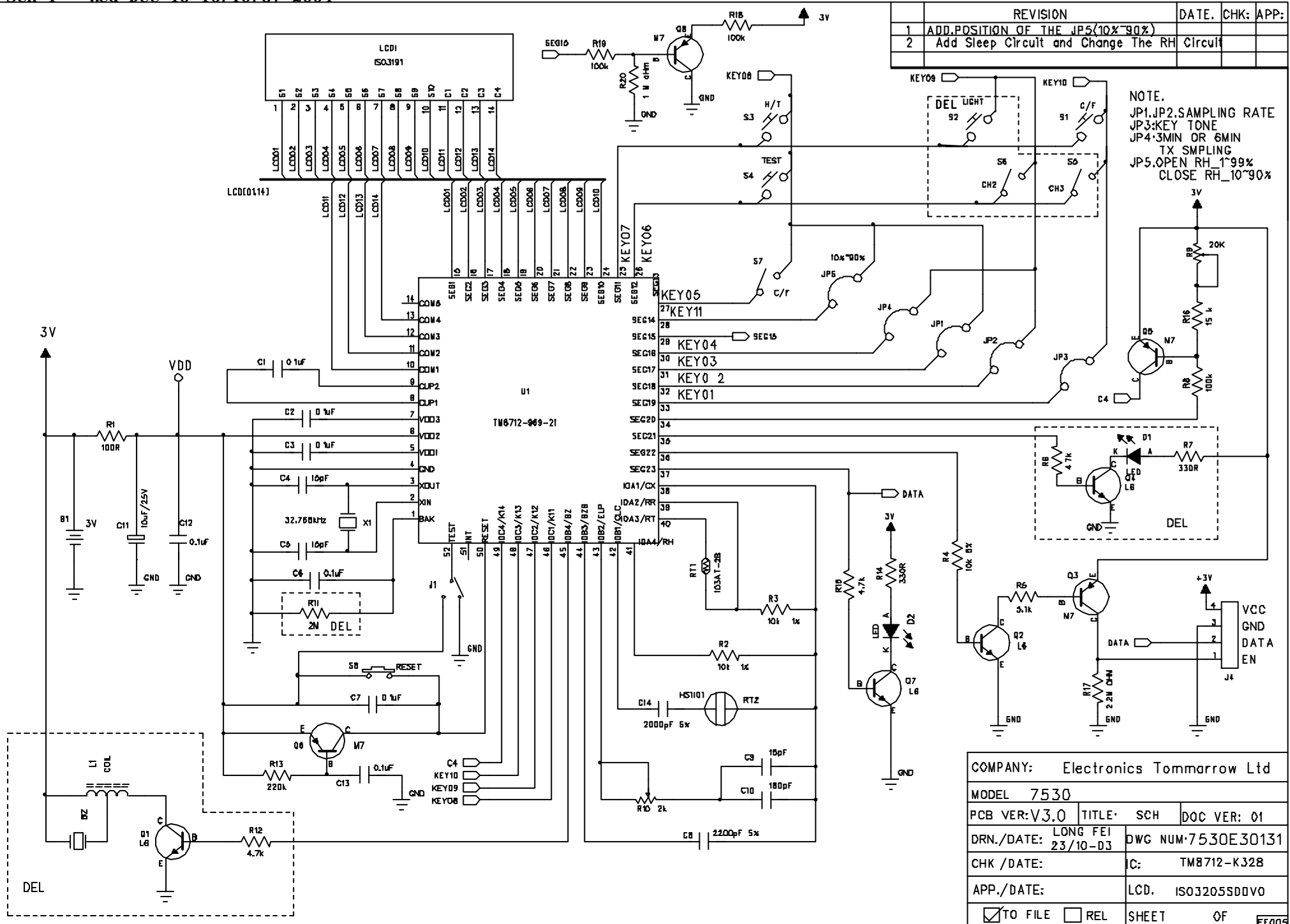


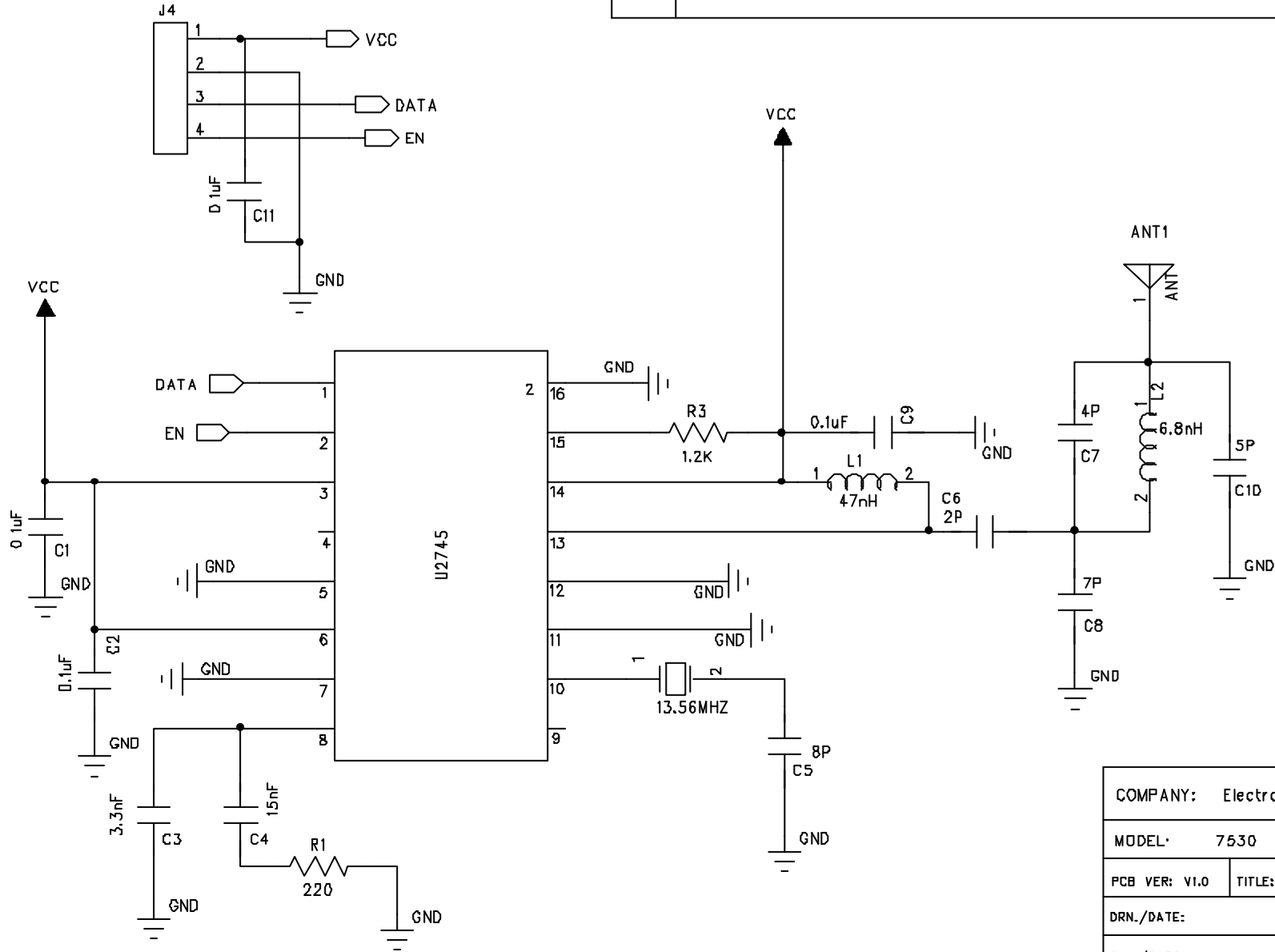
REVISION	DATE	CHK	APP
1 ADD.POSITION OF THE JP5(10%~90%)			
2 Add Sleep Circuit and Change The RH Circuit			



NOTE.
 JP1,JP2,SAMPLING RATE
 JP3:KEY TONE
 JP4:3MIN OR 6MIN
 TX SMLING
 JP5.OPEN RH 1~99%
 CLOSE RH 10~90%

COMPANY: Electronics Tommorrow Ltd			
MODEL 7530			
PCB VER:V3.0	TITLE: SCH	DOC VER: 01	
DRN./DATE: LONG FEI 23/10-03	DWG NUM:7530E30131		
CHK /DATE:	IC: TM8712-K328		
APP./DATE:	LCD. ISO3205SD0V0		
<input checked="" type="checkbox"/> TO FILE	<input type="checkbox"/> REL	SHEET	OF

REV.	MODIFICATION	DATE:	CHK:	APP:



COMPANY: Electronics Tomorrow Ltd.	
MODEL: 7530	
PCB VER: V1.0	TITLE: DOC VER: 00
DRN./DATE:	PCB DWG NO: 7530E10231
CHK./DATE:	PCB P/N
APP./DATE:	TOOLING DWG NO:
<input checked="" type="checkbox"/> TO FILE <input type="checkbox"/> REL	SHEET 1 OF 1