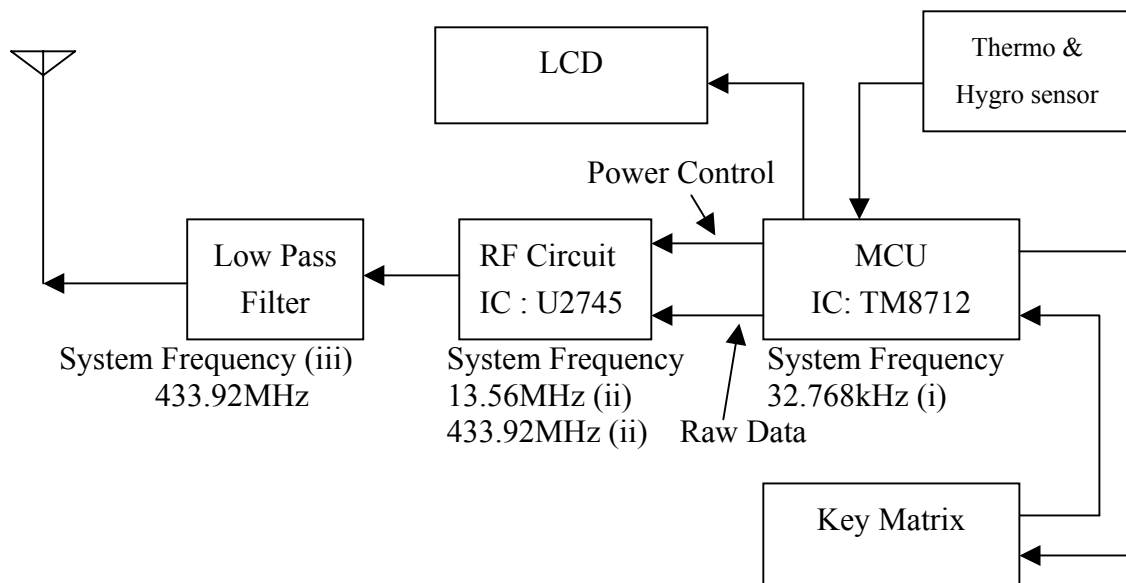


Block Diagram of DTX-1010 (Tx)



- (i) The 32.768kHz is the MCU clock frequency for normal operation.
- (ii) The 13.56MHz is the frequency reference of the RF circuit since it use PLL to generate 433.92MHz
- (iii) The 433.92MHz is the output of the RF circuit