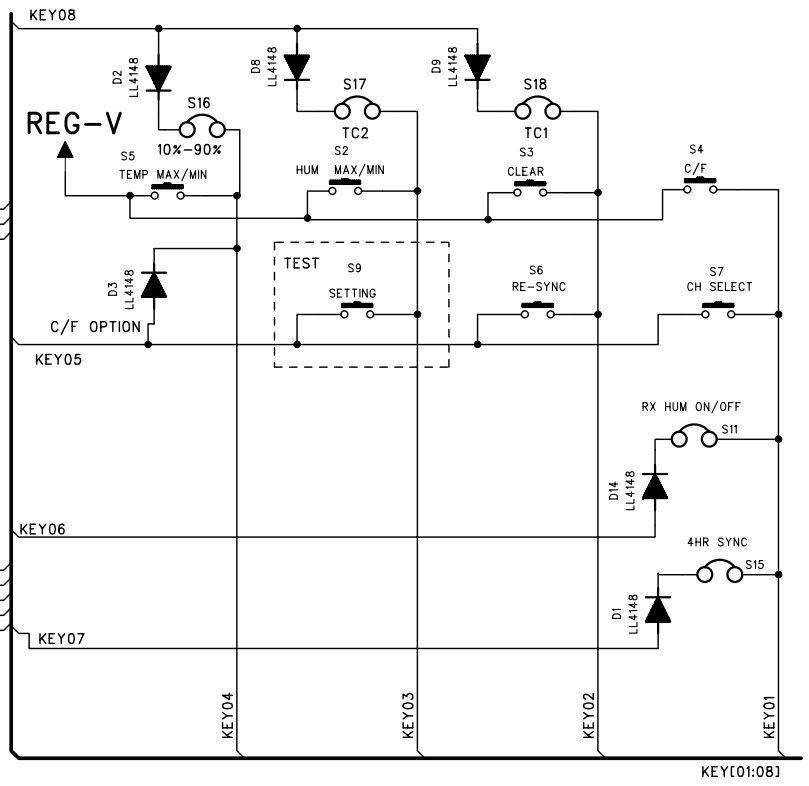
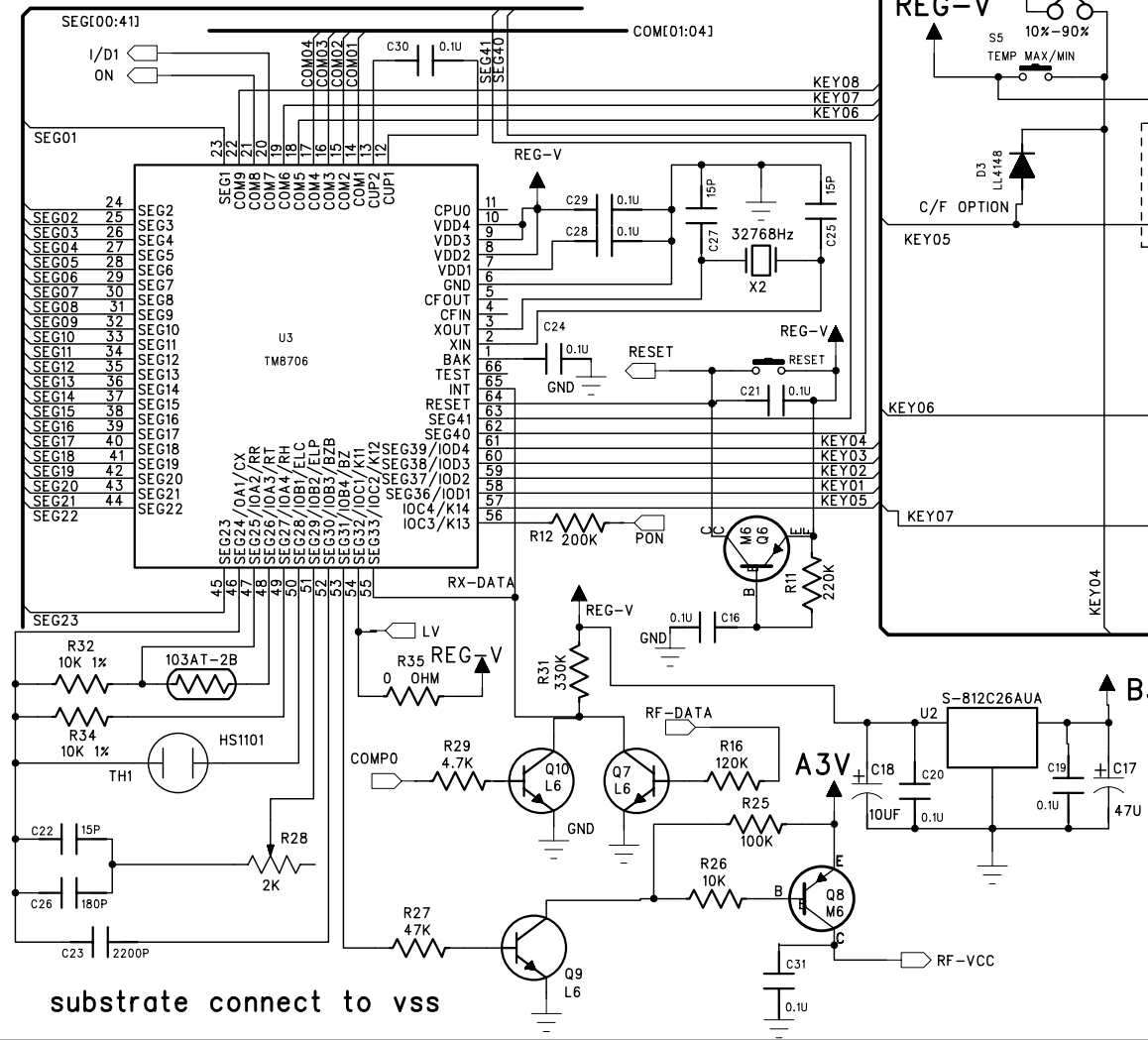
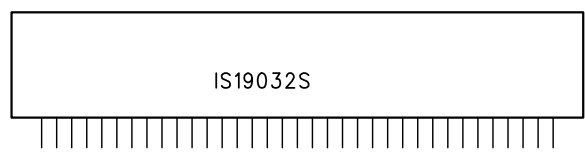


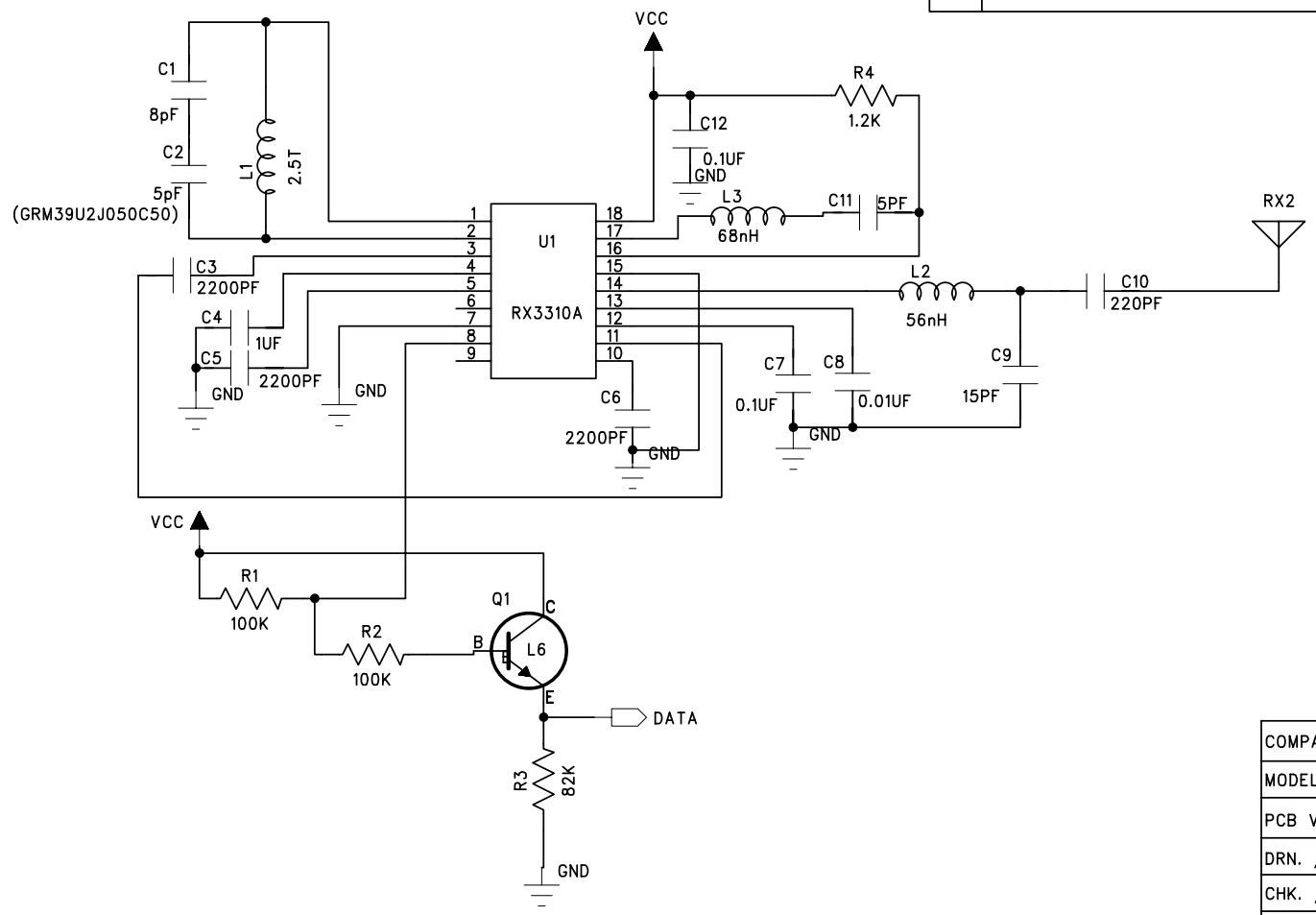
NO.	REVISION	DATE:	CHK:	APP:



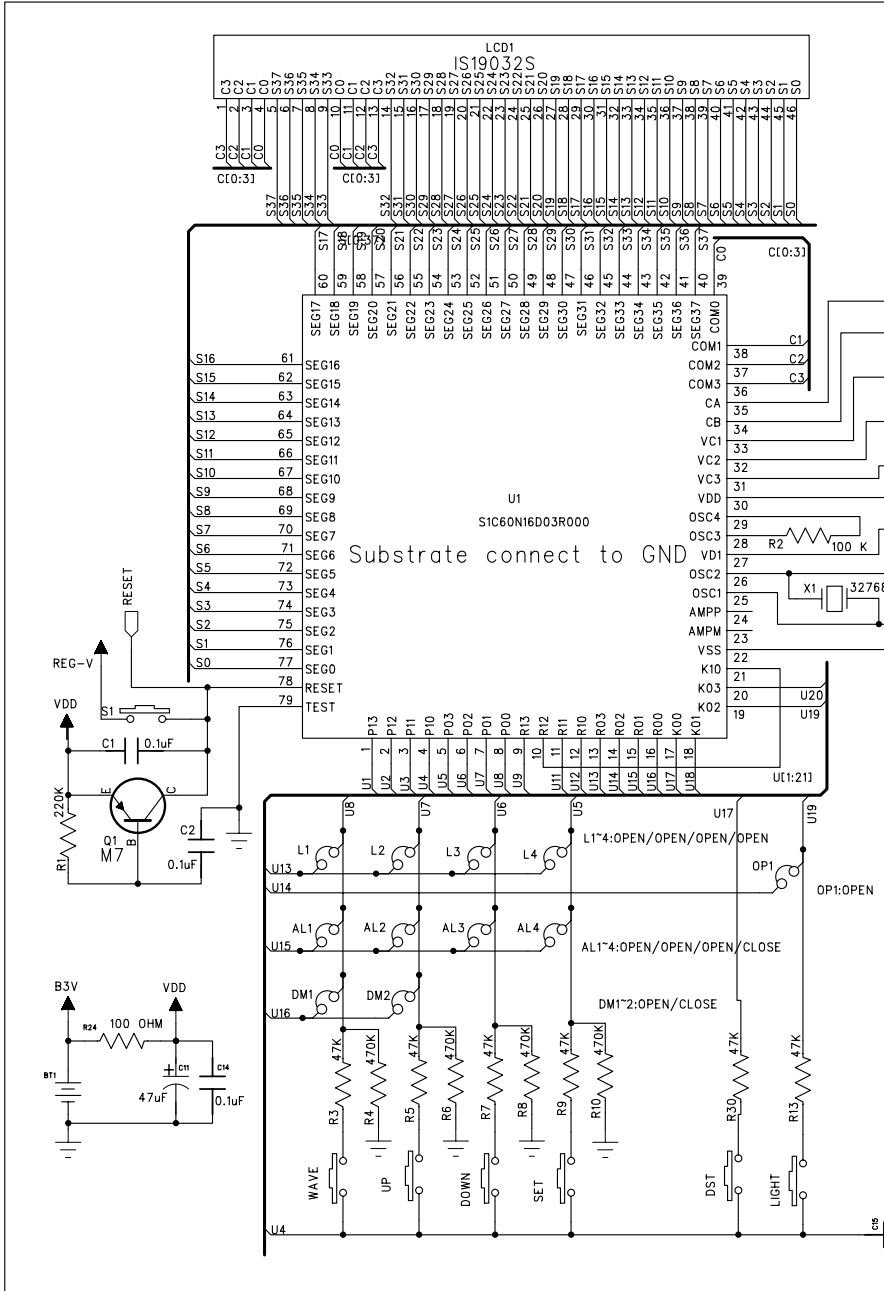
COMPANY: Electronics Tommorrow Ltd		
MODEL: 697J/697K/8400/8401		
PCB VER: V1.0	TITLE: SCH	DOC VER: 01
DRN./DATE: ZB 04/6/18	DWG NUM: 697JE10130	
CHK./DATE:	IC: TM8706-K327	
APP./DATE:	LCD: IS19032S	
<input checked="" type="checkbox"/> TO FILE	<input type="checkbox"/> REL	SHEET 1 OF 1

EE005

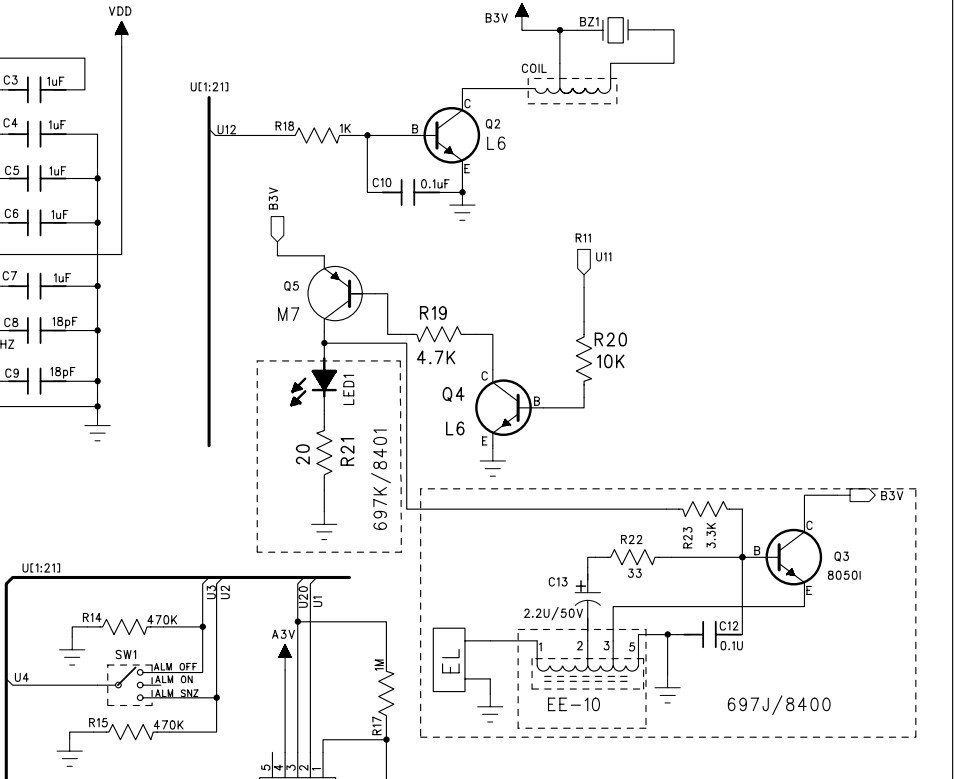
REV.	MODIFICATION	DATE:	CHK:	APP:
1	change hole size	19/8/03		
2	change c1 to 6pf	16/3/04		



COMPANY: Electronics Tomorrow Ltd.				
MODEL:		7966		
PCB VER:	V2.0	TITLE:	SCH	DOC VER: 01
DRN. /DATE:	ZB 16/3/04	DWG NO:	7966E20241	
CHK. /DATE:		IC:	RX3310A	
APP. /DATE:		LCD:		
<input checked="" type="checkbox"/> TO FILE		<input type="checkbox"/> REL		SHEET OF: EE005



NO.	REVISION	DATE:	CHK:	APP:



COMPANY: Electronics Tomorrow Ltd.			
MODEL: 697J/697K/8400/8401			
PCB VER: V1.0	TITLE:	S.C.H	DOC VER: 01
DRN./DATE: ZB 04/6/18	DWG NO.: 697JE10131		
CHK./DATE:	IC: S1C60N16D03R000		
APP./DATE:	LCD: IS19032S		
<input checked="" type="checkbox"/> TO FILE	<input type="checkbox"/> REL	SHEET OF: 1 OF 1	