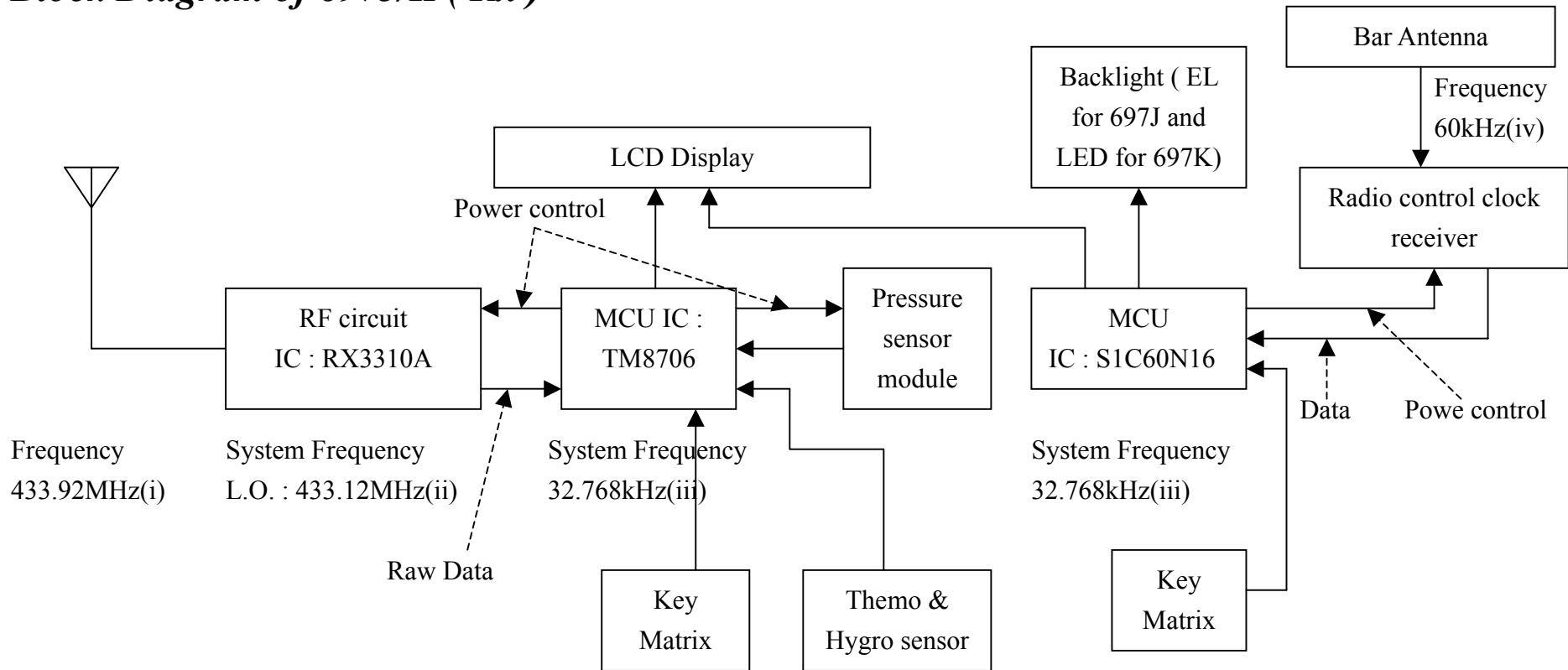


Block Diagram of 697J/K (Rx)



- (i) The frequency is the frequency that the antenna received
- (ii) The L.O. is 433.12MHz
- (iii) The frequency is the clock of the MCU for normal operation
- (iv) The frequency is the frequency that the antenna received