

2

---

## IEEE 802.11g (D377)

---

### Accessories

---

Check the accessories and their quantities against the following list:

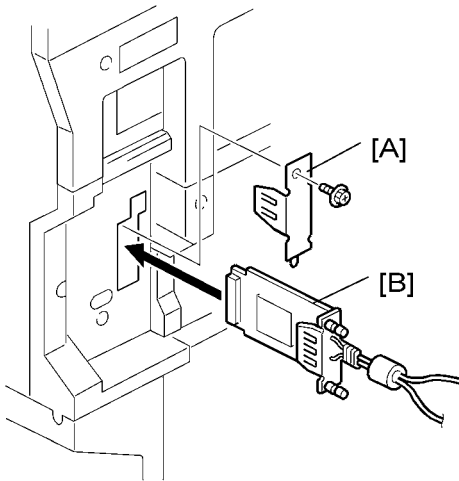
No	Description	Quantity
1	IEEE 802.11g Interface Board	1
2	Antenna Cables	2
3	Antenna Clamps	8

### Installation

---

 **CAUTION**

- Turn off the main power switch and disconnect the power supply cord.

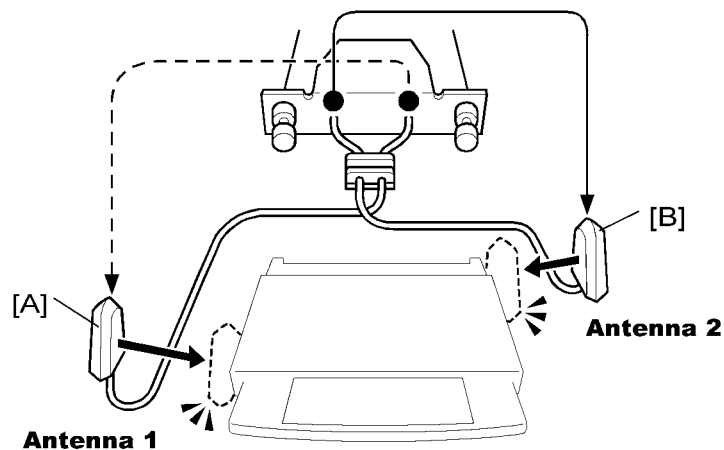


d017i507

1. Remove the plastic application cover (1 x1).
2. Remove the cover [A] of the board slot (1 x1).
3. Insert the interface card [B] as shown above.

**Note**

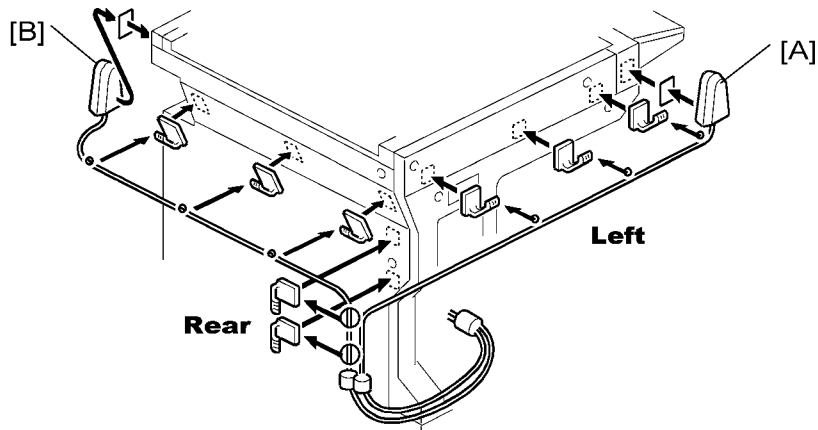
- Use a screwdriver to tighten the knob-screws. Do not tighten manually, because this can disconnect the board.
4. Look at the markings on the antenna bracket.
    - **ANT1.** Antenna 1 transmits and receives. It must be installed on the front left corner of the main machine. (The core on the Antenna 1 cable is black.)
    - **ANT2.** Antenna 2 only receives. It is installed on the rear right corner of the machine.



d017i508

**★ Important**

- To assure reliable data sending and receiving, Antenna 1 must be installed on the front left corner of the machine.



d017i509

5. Remove the seals from of the cable clamps and attach them to the left side of the machine as shown above.
6. Attach Antenna 1 [A] to the left front corner of the machine. (The core on the Antenna 1 cable is black.)
7. Set the cable of Antenna 1 in the clamps and close them.
8. Remove the seals from the cable clamps and attach them to the rear of the machine as shown above.
9. Attach Antenna 2 [B] to the right rear corner of the machine.
10. Set the cable of Antenna 2 in the clamps and close them.