

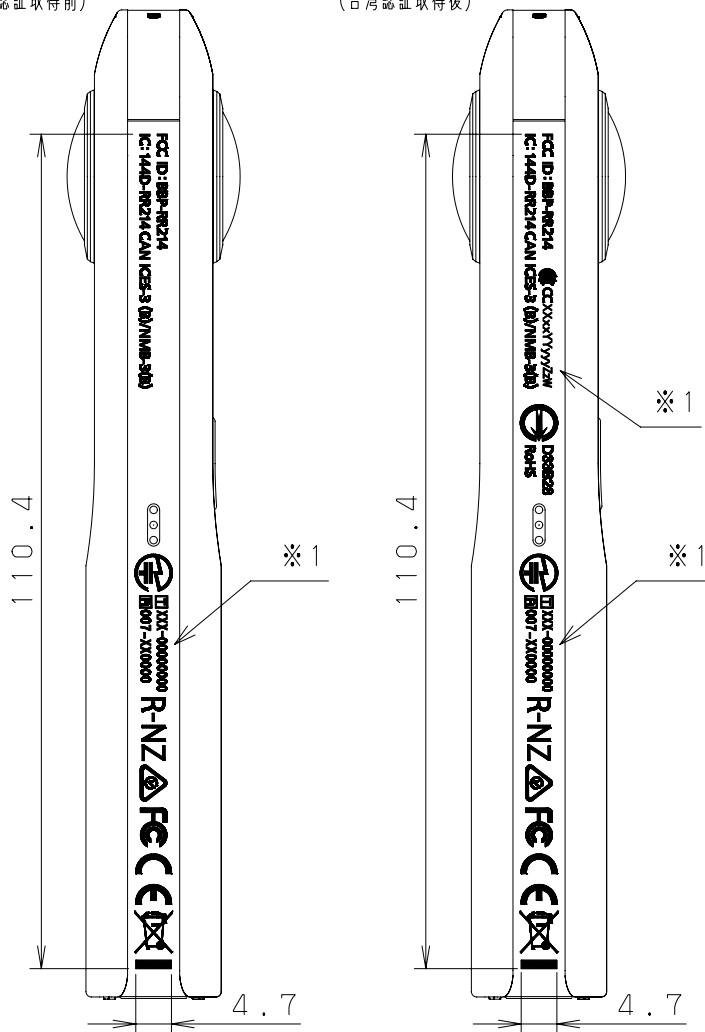
For Regions Except China

2.4-5GHz

Print in the left side face

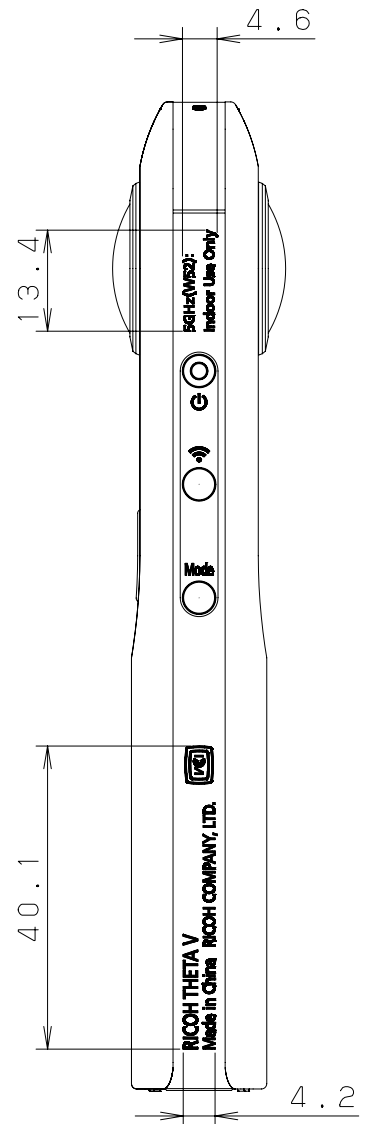
[Material]  
 PC+ABS (TEIJIN E98529 TN-7400B)  
 [Color]  
 Base:Black  
 Letters and Marks:transparent gloss

Before Taiwanese Authentication is acquired (台湾認証取得前)  
 After Taiwanese Authentication is acquired (台湾認証取得後)

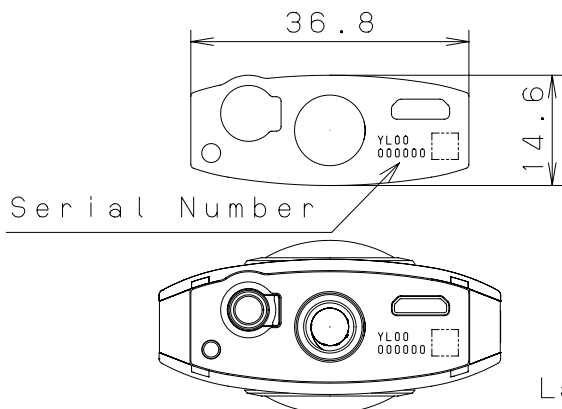


Print in the right side face

[Material]  
 PC+ABS (TEIJIN E98529 TN-7400B)  
 [Color]  
 Base:Black  
 Letters and Marks:•Natural Gray (N3.5R)  
 •transparent gloss



Notes:The Mark of ※1 will be indicated formal grant number at the mass production.



Label:L8541191  
 For All Regions

[Material]  
 Base:PET (GAOGUAN 150#)  
 Adhesive:Acrylic Resin  
 [Color]  
 Base:Pantone 426C  
 Letters and Marks:Silver

Labeling Position