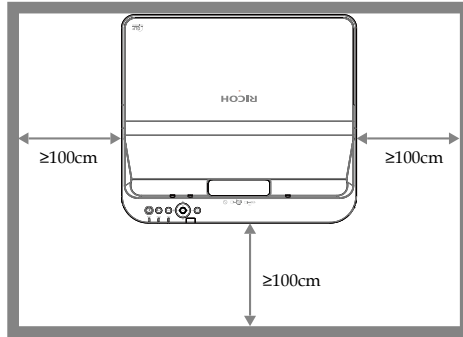


## Precautions for installing the projector

When installing the projector, keep sufficient space around it, as described below. If not, the hot exhaust emitted from the projector may be taken back in.

Also, make sure no wind from an air-conditioner hits the projector. The projector's heat control system may detect an abnormality (temperature error) and automatically shut off the power.

- The distance between the air intake grill and the wall is not less than 100 cm
- The distance between the exhaust grill and the wall is not less than 100 cm.
- The internal temperature rises will cause the projector breaking down.

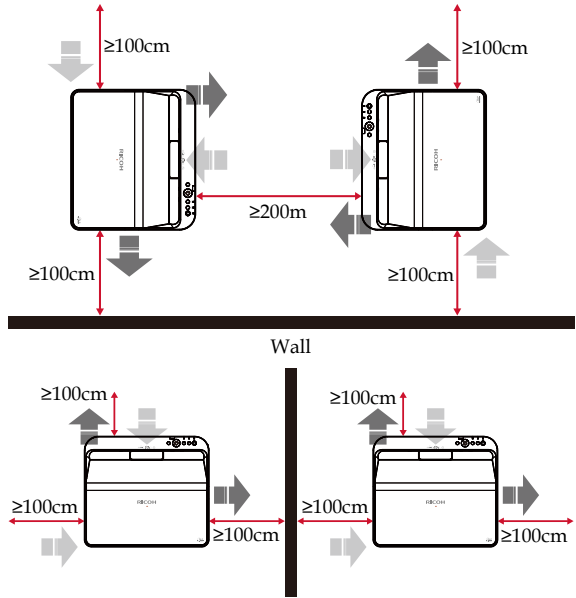


### When the air intake and exhaust port are set in the upper and lower direction:

- The distance between the air intake and the wall should be more than 100cm.
- The distance between the exhaust grill and the wall should be more than 100cm.
- The internal temperature rises will cause the projector breaking down.

In addition, when the two are installed side by side, in order to prevent the hot air from directly entering the air intake, please set a wall in the middle.

# Introduction



# Basic Operations

## Connecting a Computer (Connect to Computer/ Notebook)

### Note

- ❖ To ensure the projector works well with your computer, please make sure the timing of the display mode is compatible with your projector. (See page 117).
- ❖ Use the cable that comes with the projector, if any.
- ❖ To display 4K/60Hz signal such as UHD Blu-ray player output, make sure to use Premium certified HDMI cable.
- ❖ The HDBaseT terminal supports serial communication functions, but not LAN functions.

