

Remote Control Operating Range

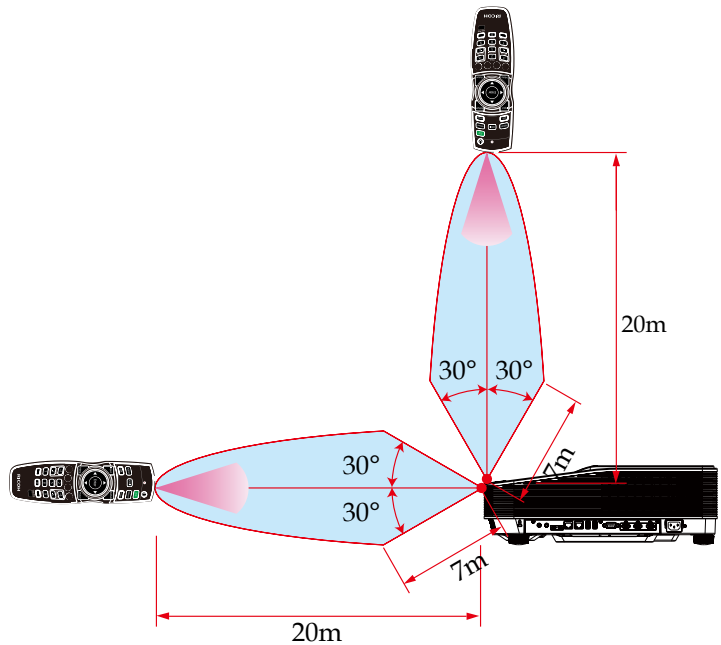
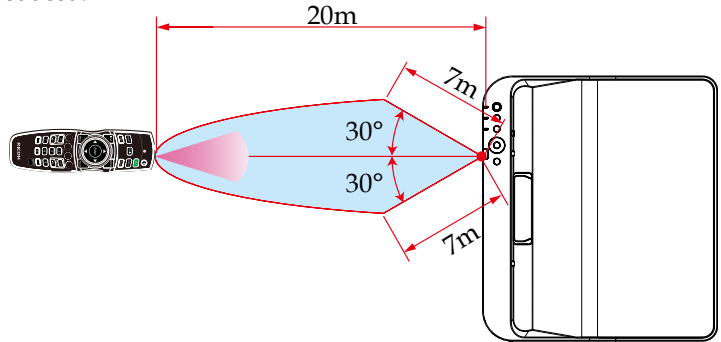
Point the remote control at the remote control sensing windows in front of projector.

When the remote control is pointed at the signal receiver on the projector, the effective range of the remote control is an area of radius 7 meters or about 20 meters in straight line from the receiver.

The remote control is effective within vertical and horizontal $\pm 30^\circ$ to the receiving direction of the remote control signal receiver. When the angle exceeds this range, the effective control distance will be reduced.

Note

- ❖ This remote control uses infrared light and may not work when it is exposed to bright light or fluorescent light.
- ❖ The guaranteed operation range of the remote control is shown in the figure on the right, but there is also a receiver on the top side, so the remote control can be operated from the top side.



Installing the Projector

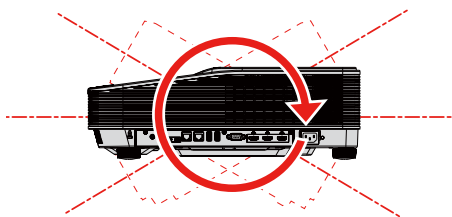
When you select a position for the projector, consider the size and shape of your screen, the location of your power outlets, and the distance between the projector and the rest of your equipment. Follow these general guidelines:

Note

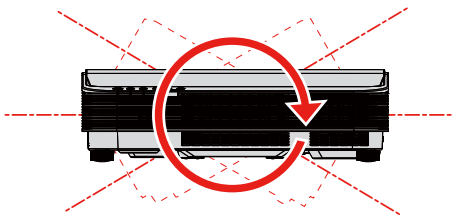
- ❖ When using a LAN, use the network separated by a firewall to prevent unauthorized access from the Internet.
- ❖ Pay careful attention to the installation location, management of the devices, and the network device to which the device is connected, in order to prevent malicious third parties from viewing the communication data.
- ❖ Pay careful attention to the installation location and management of the devices, in order to prevent unauthorized tampering by a malicious third party who can operate the devices.

- ❖ Position the projector on a flat surface at a right angle to the screen. The projector (with the standard lens) must be at least 4.3 feet (1.3 m) from the projection screen.

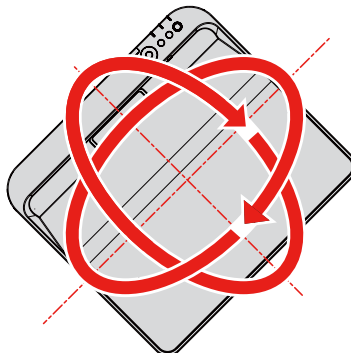
- ❖ Position the projector to the desired distance from the screen. The distance from the lens of the projector to the screen, the zoom setting, and the video format determine the size of the projected image.



Vertical 360°



Horizontal 360°



Vertical & Horizontal 360°