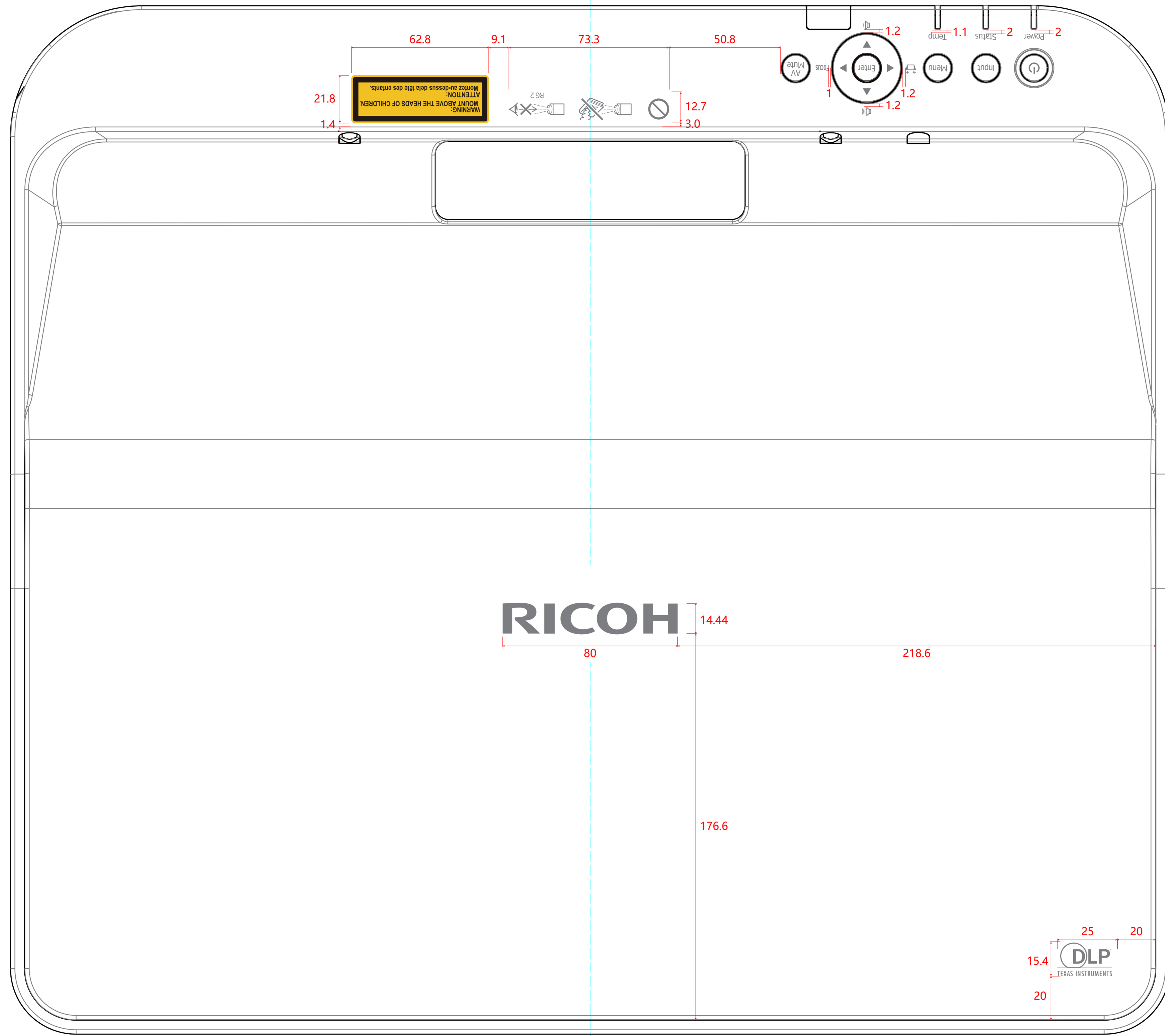
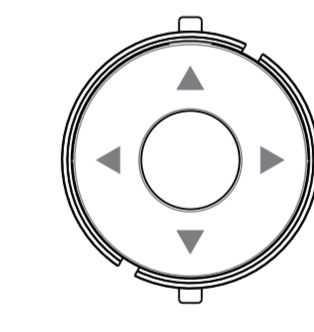
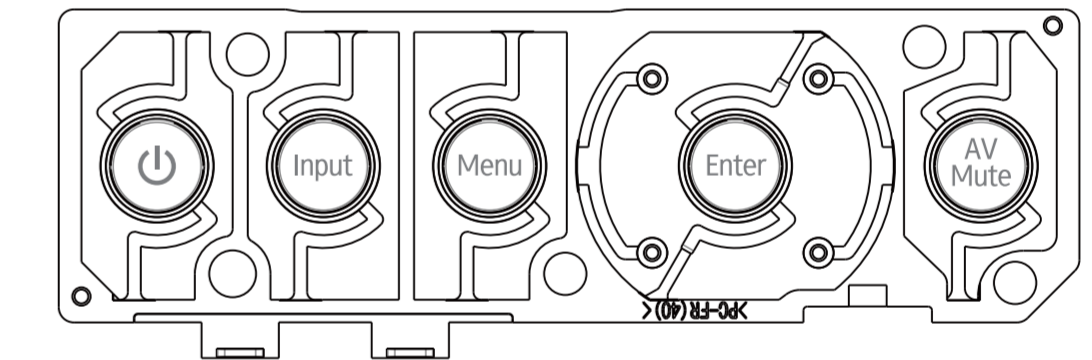


REV	MK	DESCRIPTION OF CHANGE	REV. BY	REV DATE



- 2.8 [] Power 9.1
- 2.9 [] Status 9.6
- 3.5 [] Temp 8.2
- 3.5 [] Input 7.6
- 2.8 [] Menu 8.2
- 2.8 [] Focus 5.9
- 6.4 [] AV Mute 7.7
- 2.8 [] Enter 7.9
- 4.2 [] [] 4.2
- 4.2 [] [] 4.7
- 4.2 [] [] 3
- 3.7 [] [] 3.2
- 3.2 [] [] 3.7
- 3.2 [] [] 3.7
- 3.7 [] [] 3.2



UNLESS OTHERWISE SPECIFIED, ALL TOLERANCES TO BE IN ACCORDANCE WITH EFUN STD

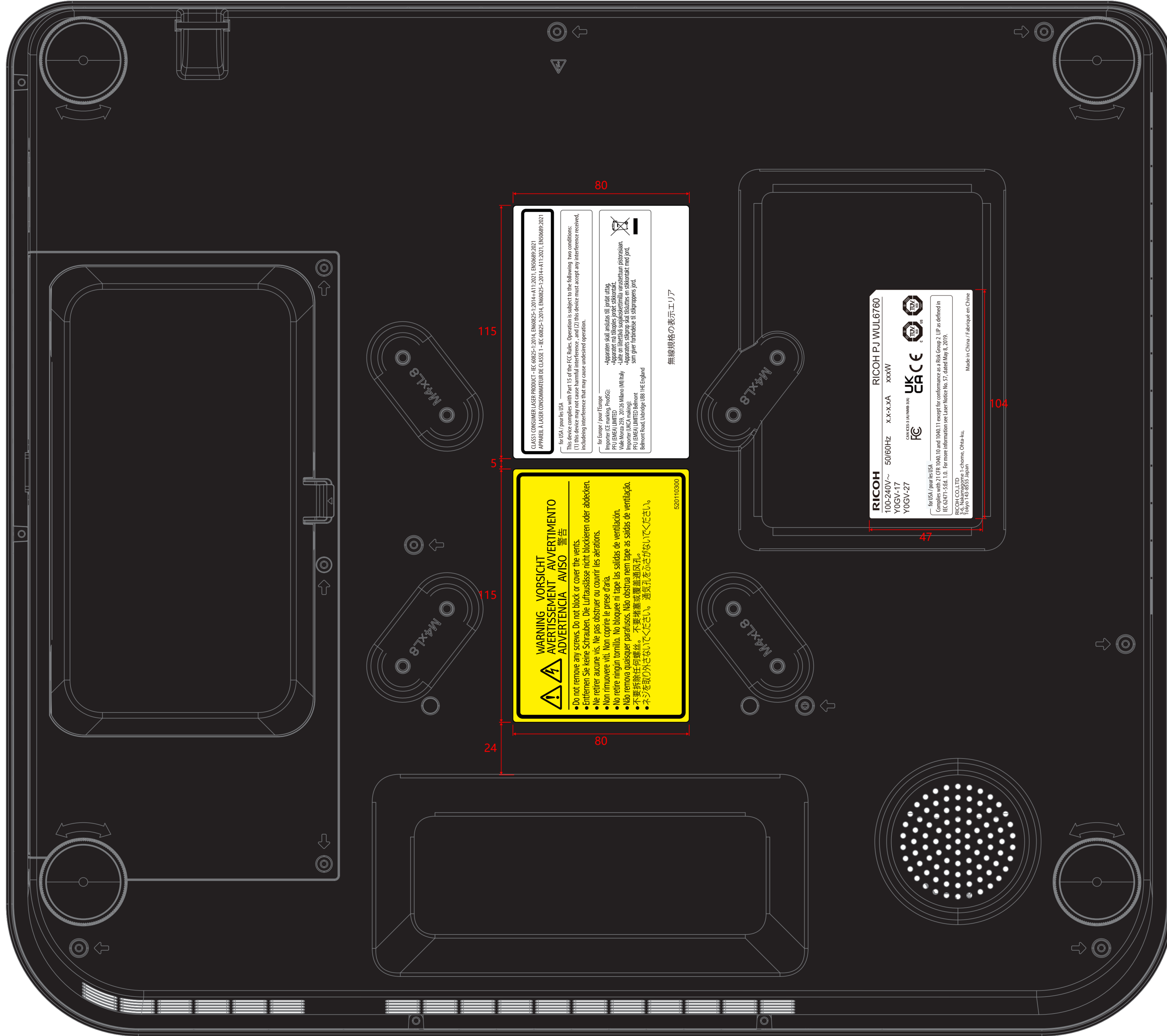
FIRST ANGLE PROJECTION SCALE 1:1

MODEL	
ASSY	
UNITS	
PART CODE	
Shenzhen Efun Technology Co.,Ltd	

()				MATERIAL		FINISH			
DESIGN	DRAWN	CHECKED	APPD	PART NAME				PART CODE	
Song jin	Song jin	Song jin	LIANG	RICOH-Naos 镭雕图档					
								11 1/1	

RELEASE DATE	
RELEASE No	

REV	MK	DESCRIPTION OF CHANGE	REV. BY	REV DATE



WARNING, VORSICHT, AVVERTIMENTO, AVERTISSEMENT, AVISO, 警告

- Do not remove any screws. Do not block or cover the vents.
- Ne retirez aucune vis. Ne pas obstruer ou couvrir les aérateurs.
- Entfernen Sie keine Schrauben. Die Luftauslässe nicht blockieren oder abdecken.
- Alto retirar cualquier tornillo. No bloquee ni tape las salidas de ventilación.
- Alto retirar cualquier parafuso. Não obstrua nem tape as saídas de ventilação.
- 不要拆除任何螺絲。不要堵塞或覆蓋通風孔。
- ネジを取除かないでください。通風孔を隠さないでください。

520110300

RICOH CORPORATION, 1-8-1, YAMAGUCHI 4-CHOME, YAMAGUCHI-CITY, YAMAGUCHI-PREF. 719-0232, JAPAN
 APPAREIL A USAGE CONSOMMATEUR EN CLASSE 1 - EQUIPEE D'UNE PARTIE A ONDES RADIO-FREQUENCE
 For USA parts only. When using FCC Radio Frequency subject to the following terms and conditions:
 (1) This device may not cause harmful interference. (2) This device must accept any interference received, including interference that may cause undesired operation.

As Energy Star EPEAT
 Model No. 276 2010 Made in Italy
 P/N: 520110300
 © Ricoh Company, Ltd. 2010
 Made in China / Fabricated in China

RICOH 5086MHz X.XX.XA XXXW
 YOGS-V7 YOGS-V27
 CE UKCA
 RICOH CO., LTD.
 1-8-1, Yamaguchi 4-chome, Yamaguchi-city, Yamaguchi-pref. 719-0232, Japan
 Made in China / Fabricated in China

UNLESS OTHERWISE SPECIFIED, ALL TOLERANCES TO BE IN ACCORDANCE WITH EFUN STD

FIRST ANGLE PROJECTION SCALE 1:1

MODEL	
ASSY	
UNITS	
PART CODE	
Shenzhen Efun Technology Co.,Ltd	

MATERIAL				FINISH	
DESIGN	DRAWN	CHECKED	APPD	PART NAME	PART CODE
Song jin	Song jin	Song jin	LIANG	RICOH-Naos 鐳雕圖檔	

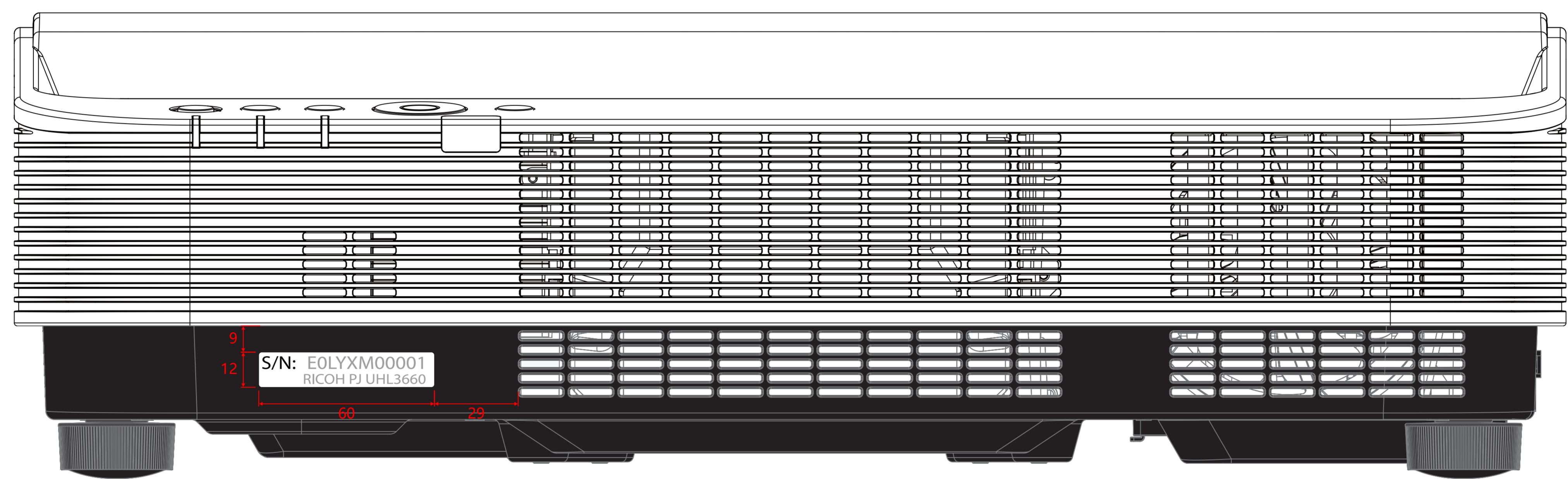
RELEASE DATE	
RELEASE No	

A
B
C
D
E
F
G
H

1 2 3 4 5 6 7 8 9 10 11

1 2 3 4 5 6 7 8 9 10 11

REV	MK	DESCRIPTION OF CHANGE	REV. BY	REV DATE



UNLESS OTHERWISE SPECIFIED, ALL TOLERANCES TO BE IN ACCORDANCE WITH EFUN STD

FIRST ANGLE PROJECTION SCALE 1:1

MODEL

ASSY

UNITS

PART CODE

Shenzhen Efun Technology Co.,Ltd

11 1/1

MATERIAL				FINISH	PART NAME
DESIGN	DRAWN	CHECKED	APPD		
Song jin	Song jin	Song jin	LIANG		RICOH-Naos 镭雕图档

RELEASE DATE
RELEASE No