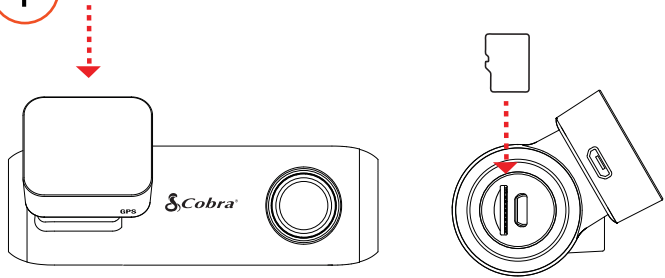
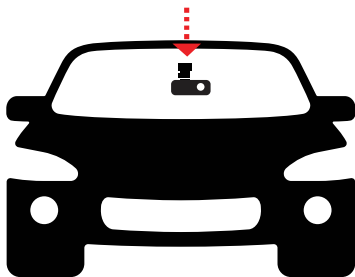


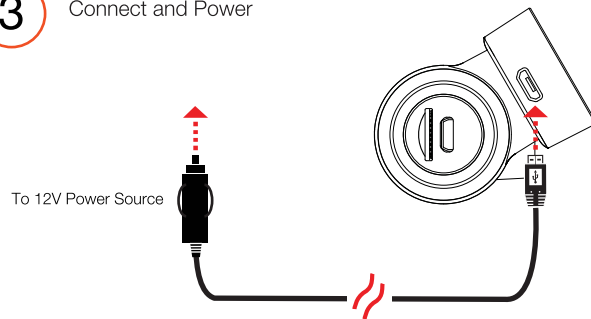
1 Attach GPS Mount and Insert MicroSD Card



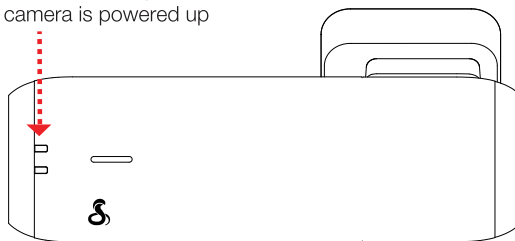
2 Attach Camera Assembly to Windshield



3 Connect and Power



4 LED indicator lights when camera is powered up



**Cobra**<sup>®</sup>

**SC 100**

**DASH CAM**



**QUICK START GUIDE**

# THANK YOU!

## For purchasing the new COBRA® SC 100

View, edit and share from your  
smartphone or desktop.

Share & receive real-time driver alerts.

Download today!

[drivesmarter.com/downloads](http://drivesmarter.com/downloads)



Full manual available at: [www.cobra.com](http://www.cobra.com)

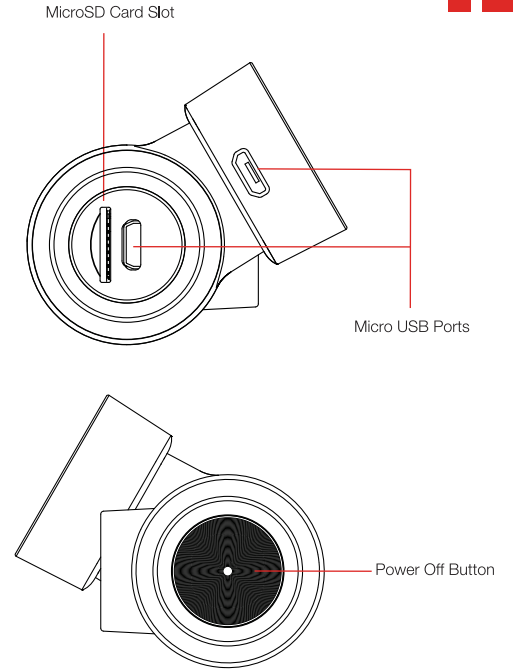
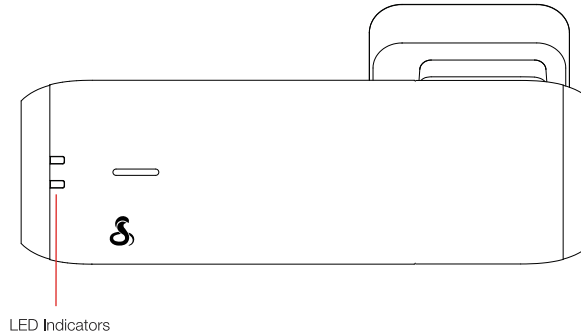
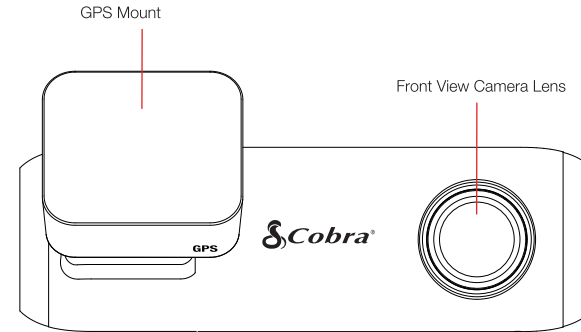


FCC ID:BBOSC100, IC:906A-SC100. THIS DEVICE COMPLIES WITH PART 15 OF THE FCC RULES. OPERATION IS SUBJECT TO THE FOLLOWING TWO CONDITIONS: (1) THIS DEVICE MAY NOT CAUSE HARMFUL INTERFERENCE, AND (2) THIS DEVICE MUST ACCEPT ANY INTERFERENCE RECEIVED INCLUDING INTERFERENCE THAT MAY CAUSE UNDESIRABLE OPERATION.

FCC NOTE: Modifications not expressly approved by the manufacturer could void the user's FCC granted authority to operate the equipment.

Cobra® and the snake design are registered trademarks of Cobra Electronics Corporation, USA. Cobra Electronics Corporation™ is a trademark of Cobra Electronics Corporation, USA. Other trademarks and trade names are those of their respective owners.

## SC 100 Features



8GB  
MicroSD  
Card



GPS  
Mount



Vehicle  
Charger



Micro USB  
Data Cable



Quick Start  
Guide