

A Connecting your Detector to your Smartphone via Bluetooth®

1 iPhone Users:

Install the Cobra iRadar App on your iPhone. Ensure your Road Scout is powered ON and pair your Road Scout detector to your iPhone's Bluetooth® by going to SETTINGS > DEVICES > select the Road Scout device entry and when prompted select PAIR.

The Bluetooth icon will appear on the display, and the OSP indicator will change to a MPH icon.

Android Users:

Install the Cobra iRadar App on your phone.

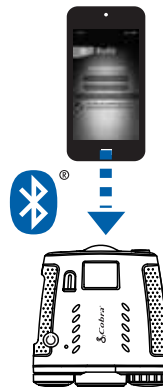
Ensure your Road Scout is powered ON and pair your Road Scout detector to your smartphone's Bluetooth by launching the iRadar app and pressing the Bluetooth icon in the top right of the screen, then select Road Scout from the pop-up menu.

The Bluetooth icon will appear on the display, and the OSP indicator will change to MPH icon.

2

After pairing has completed, you will receive an Activation prompt. Select Yes and enter your email address and create a password. This will register your Road Scout and activate its iRadar service.

You can also register at www.cobra.com



B Connect your Detector to your Car's Hotspot via Wi-Fi

Note: Road Scout only supports 2.4 GHz Wi-Fi (802.11 b/g/n).

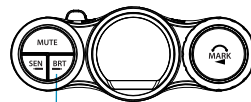
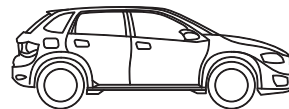
- 1 Press and hold the BRT button until "iRADAR" appears on the display. If "CAMERA" appears, press and hold BRT again.

- 2 Connect your smartphone to your car's Wi-Fi (or make sure it is connected), through the phone's SETTINGS.



- 3 In the iRadar app, go to Wi-Fi Settings > Connect to Wi-Fi > enter your car's hotspot password and press JOIN. After successfully connecting to Wi-Fi, the Wi-Fi icon will change to white.

Your phone will share the car's hotspot SSID and password with your Road Scout so the Road Scout can connect directly to the hotspot.



BRT button

C View and Edit Videos on your Smartphone

Download the Cobra Drive HD App

Download the Cobra Drive HD App from the App Store or Google Play and install it on your smartphone. Follow the Tutorial on the App.



Connect the Road Scout to your Smartphone

Once you have installed the Cobra Drive HD App, follow the steps below to connect your Road Scout to your smartphone:

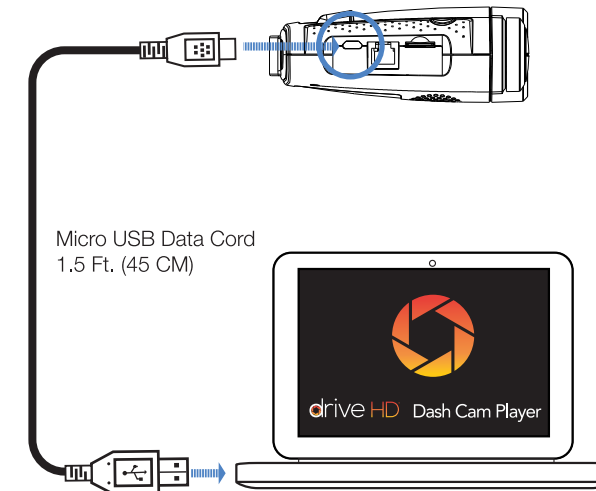
- 1 Press and hold the BRT button until "CAMERA" appears on the display. If "iRADAR" appears, press and hold BRT again.
- 2 Connect to your Road Scout using the Wi-Fi menu on your smartphone.
- 3 Find the Wi-Fi SSID "Road Scout" and enter the password "12345678."
- 4 After your smartphone Wi-Fi is connected to the Road Scout, live view from the dash cam will be available on the smartphone screen.

D View and Edit Videos on your Computer

The Drive HD Dash Cam Player allows you to view, edit, and share video clips.



www.cobra.com/apps-and-software



Cobra®

Road Scout

2-in-1 Radar Detector/Dash Camera



QUICK START GUIDE

THANK YOU!

For purchasing the Cobra Road Scout

Full manual available at: www.cobra.com



FCC ID: BBORDCAM. THIS DEVICE COMPLIES WITH PART 15 OF THE FCC RULES. OPERATION IS SUBJECT TO THE FOLLOWING TWO CONDITIONS: (1) THIS DEVICE MAY NOT CAUSE HARMFUL INTERFERENCE, AND (2) THIS DEVICE MUST ACCEPT ANY INTERFERENCE RECEIVED INCLUDING INTERFERENCE THAT MAY CAUSE UNDESIRABLE OPERATION.

NOTE: THE GRANTEE IS NOT RESPONSIBLE FOR ANY CHANGES OR MODIFICATIONS NOT EXPRESSLY APPROVED BY THE PARTY RESPONSIBLE FOR COMPLIANCE. SUCH MODIFICATIONS COULD VOID THE USER'S AUTHORITY TO OPERATE THE EQUIPMENT. Note: This equipment has been tested and found to comply with the limits for a Class B digital device, pursuant to part 15 of the FCC Rules. These limits are designed to provide reasonable protection against harmful interference in a residential installation. This equipment generates, uses and can radiate radio frequency energy and, if not installed and used in accordance with the instructions, may cause harmful interference to radio communications. However, there is no guarantee that interference will not occur in a particular installation. If this equipment does cause harmful interference to radio or television reception, which can be determined by turning the equipment off and on, the user is encouraged to try to correct the interference by one or more of the following measures:

- Reorient or relocate the receiving antenna.
- Increase the separation between the equipment and receiver.
- Connect the equipment into an outlet on a circuit different from that to which the receiver is connected.
- Consult the dealer or an experienced radio/TV technician for help.

©2019 COBRA ELECTRONICS CORPORATION, 6500 W. CORTLAND ST., CHICAGO, IL 60707. COBRA®, DRIVE HD®, IRADAR®, AND THE SNAKE DESIGN ARE REGISTERED TRADEMARKS OF COBRA ELECTRONICS CORPORATION, USA. COBRA ELECTRONICS CORPORATION™ IS A TRADEMARK OF COBRA ELECTRONICS CORPORATION, USA. OTHER TRADEMARKS AND TRADE NAMES ARE THOSE OF THEIR RESPECTIVE OWNERS.

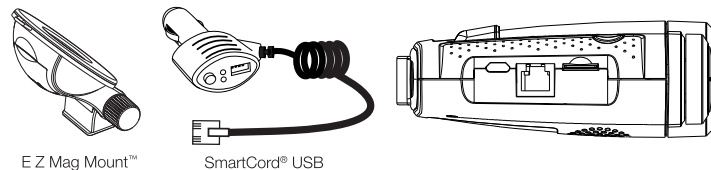
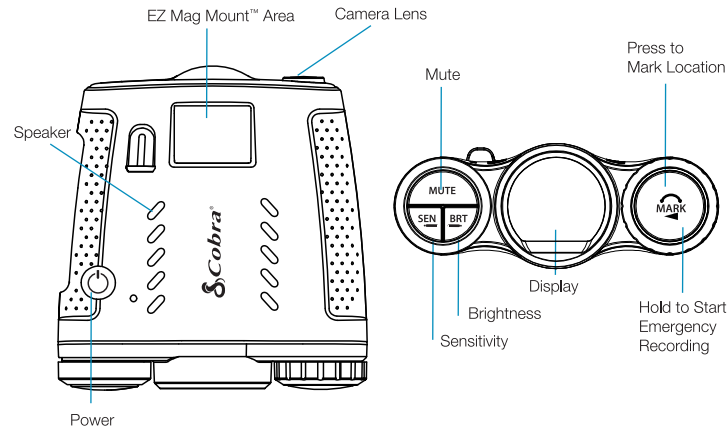
APPLE AND THE APPLE LOGO ARE TRADEMARKS OF APPLE INC., REGISTERED IN THE U.S. AND OTHER COUNTRIES. APP STORE IS A SERVICE MARK OF APPLE INC. ANDROID, GOOGLE PLAY, AND THE GOOGLE PLAY LOGO ARE TRADEMARKS OF GOOGLE INC. THE BLUETOOTH® WORD MARK AND LOGOS ARE REGISTERED TRADEMARKS OWNED BY BLUETOOTH SIG, INC. AND ANY USE OF SUCH MARKS BY COBRA IS UNDER LICENSE.

EZ MAG MOUNT™ AND SMARTCORD® ARE TRADEMARKS OF ESCORT INC.

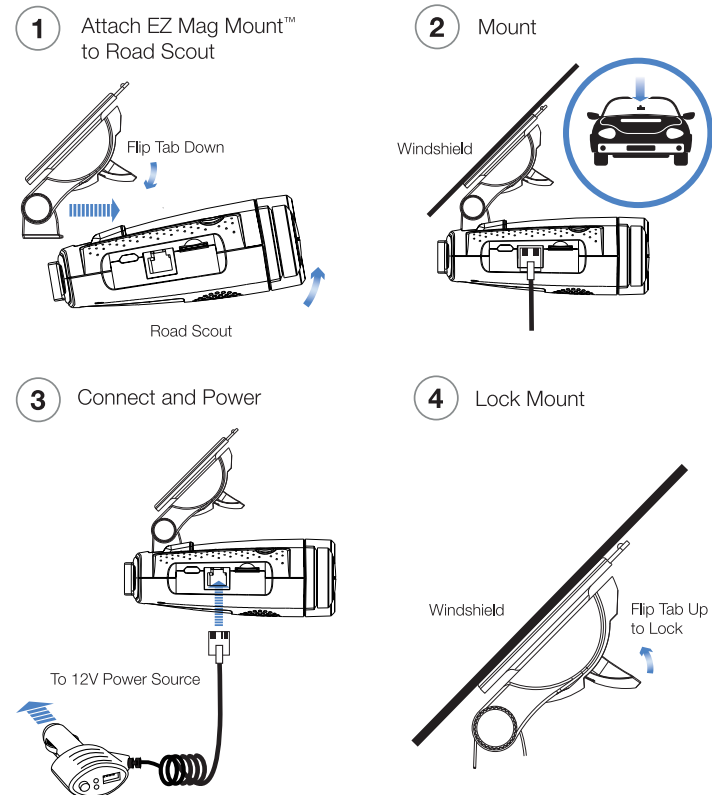
Part No. 480-1192-P Printed in the Philippines

Cobra Road Scout Features

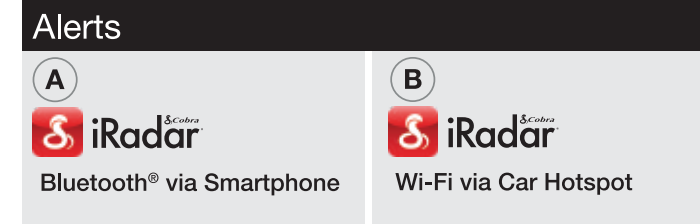
- 1080P Video Recording
- Long-range Live Detection & Limitless Range with the Cobra iRadar® app
- Connected Car Compatible



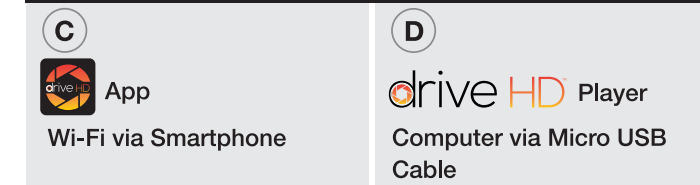
Mount to the Windshield



Connect to your Road Scout



Dash Cam Video Management



Download the Cobra iRadar® App



Controls radar detection settings and provides warnings from the ultimate community detection and driving alerts system.

