

6

5

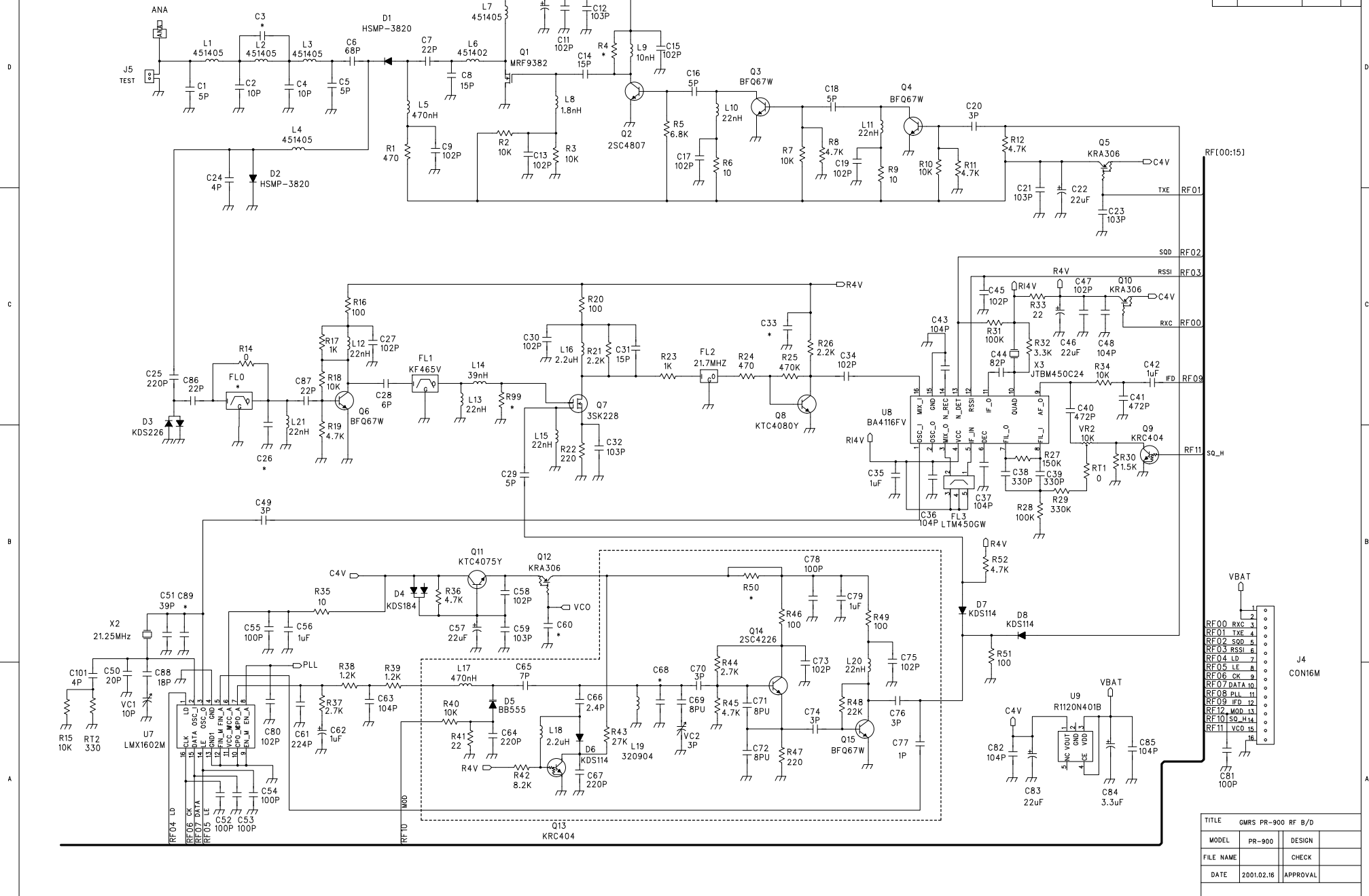
4

3

2

1

REVISION RECORD		
LTR	ECO NO:	APPROVE/DATE:



RF100:151

TXE RF01

SQD RF02

RSSI RF03

RF00

IFD RF09

RF11

SO_H

VBAT

RF00 RxC 3

RF01 TXE 4

RF02 SQD 5

RF03 RSSI 6

RF04 LD 7

RF05 LE 8

RF06 OK 9

RF07 DATA 10

RF08 PLL 11

RF09 IFD 12

RF12 MOD 13

RF10 ISO_H 14

RF11 VCO 15

TITLE		
MODEL	PR-900	DESIGN
FILE NAME		CHECK
DATE	2001.02.16	APPROVAL