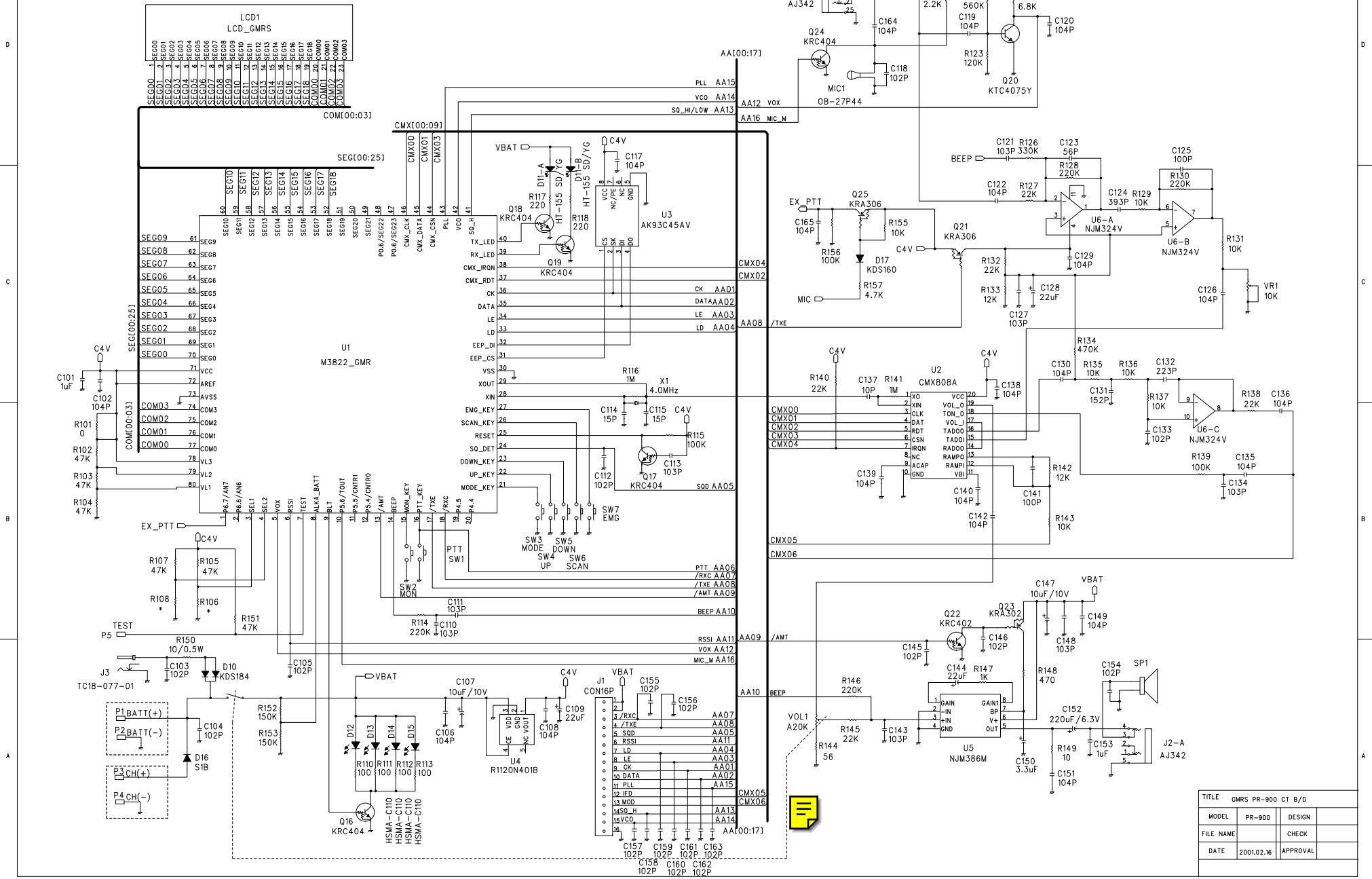


REVISION RECORD		
LTR	ECO NO.	APPROVED/DATE



TITLE GMRS PR-900 CT B/D			
MODEL	PR-900	DESIGN	
FILE NAME		CHECK	
DATE	2001.02.16	APPROVAL	