

TABLE OF CONTENTS LIST

APPLICANT: COBRA ELECTRONICS CORPORATION

FCC ID: BBOPR3100

TEST REPORT:

PAGE 1.....GENERAL INFORMATION & TECHNICAL DESCRIPTION
PAGE 2.....TECHNICAL DESCRIPTION CONTINUED
 RF POWER OUTPUT
PAGE 3.....MODULATION CHARACTERISTICS
 AUDIO FREQUENCY RESPONSE GRAPH
PAGE 4.....MODULATION LIMITING GRAPH
PAGE 5.....AUDIO LOW PASS FILTER GRAPH
PAGE 6.....OCCUPIED BANDWIDTH
PAGE 7.....OCCUPIED BANDWIDTH PLOT
PAGE 8.....SPURIOUS EMISSIONS AT ANTENNA TERMINALS
PAGE 9.....UNWANTED RADIATION - GMRS
PAGE 10.....UNWANTED RADIATION - FRS
PAGE 11.....METHOD OF MEASURING RADIATED SPURIOUS EMISSIONS
PAGE 12.....FREQUENCY STABILITY
PAGE 13.....LIST OF TEST EQUIPMENT

EXHIBITS CONTAINING:

EXHIBIT 1.....BLOCK DIAGRAM
EXHIBIT 2.....SCHEMATIC
EXHIBIT 3.....USERS MANUAL
EXHIBIT 4.....LABEL SAMPLE
EXHIBIT 5.....LABEL LOCATION
EXHIBIT 6.....EXTERNAL PHOTOGRAPHS
EXHIBIT 7.....INTERNAL PHOTOGRAPHS
EXHIBIT 8.....THEORY OF OPERATION
EXHIBIT 9.....ALIGNMENT PROCEDURE
EXHIBIT 10.....PARTS LIST
EXHIBIT 11.....TEST SET UP PHOTOGRAPH

APPLICANT: COBRA ELECTRONICS CORPORATION

FCC ID: BBOPR3100

REPORT #: C:\COBRA\1491AUT3\1491AUT3TestReport.doc

TABLE OF CONTENTS

GENERAL INFORMATION REQUIRED
FOR CERTIFICATION

2.1033(c)(1)(2) COBRA ELECTRONICS CORPORATION will manufacture the
FCCID: BBOPR3100 GMRS/FRS COMBINATION TRANSCEIVER
in quantity, for use under FCC RULES PART 95.

COBRA ELECTRONICS CORPORATION
6500 WEST CORTLAND STREET
CHICAGO, IL 60707

2.1033(c) TECHNICAL DESCRIPTION

2.1033(c)(3) Instruction book. A draft copy of the instruction
manual is included as EXHIBIT 3.

2.1033(c)(4) Type of Emission: 9K7F3E
95.631

Bn = 2M + 2DK
M = 2500
D = 2.35K
Bn = 2(2500)+2(2350) = 9.7K

GMRS Authorized Bandwidth 20.0 kHz

2.1033(c)(5) GMRS Frequency Range: 1. 462.5500 13. 462.7000
95.621 2. 462.5625 14. 462.7125
3. 462.5750 15. 462.7250
4. 462.5875 16. 467.5500
5. 462.6000 17. 467.5750
6. 462.6125 18. 467.6000
7. 462.6250 19. 467.6250
8. 462.6375 20. 467.6500
9. 462.6500 21. 467.6750
10. 462.6625 22. 467.7000
11. 462.6750 23. 467.7250
12. 462.6875

FRS Authorized Bandwidth 12.5KHz

2.1033(c)(5) FRS Frequency Range: 1. 462.5625 8. 467.5625
95.627 2. 462.5875 9. 467.5875
3. 462.6125 10. 467.6125
4. 462.6375 11. 467.6375
5. 462.6625 12. 467.6625
6. 462.6875 13. 467.6875
7. 462.7125 14. 467.7125 MHz

2.10311c)(6)(7) RF power is measured by the substitution method as
2.1046(a) outlined in TIA/EIA - 603. With a nominal battery
voltage of 6.0 V, and the transmitter properly
adjusted the RF output measures:

GMRS (HIGH) - .977 Watts
GMRS (LOW) - .347 Watts
FRS - .457 Watts

APPLICANT: COBRA ELECTRONICS CORPORATION
FCC ID: BBOPR3100
REPORT #: C:\COBRA\1491AUT3\1491AUT3TestReport.doc
Page 1 of 13

2.1033(c)(6)(7) Power Output shall not exceed 0.50 Watts effective
95.639 radiated power. There can be no provisions for
95.649 increasing the power or varying the power.

2.1033(c)(8) DC Voltages and Current into Final Amplifier:
FINAL AMPLIFIER ONLY

FOR LOW POWER SETTING INPUT POWER: $(6.0V)(.370A) = 2.22$ Watts
FOR HIGH POWER SETTING INPUT POWER: $(6.0V)(.440) = 2.64$ Watts

2.1033(c)(9) Tune-up procedure. The tune-up procedure is included
as EXHIBIT # 9.

2.1033(c)(10) Complete Circuit Diagrams: The circuit diagram is
included as EXHIBIT 2 of this report. The block
diagrams are included as EXHIBIT 1 of this
report.

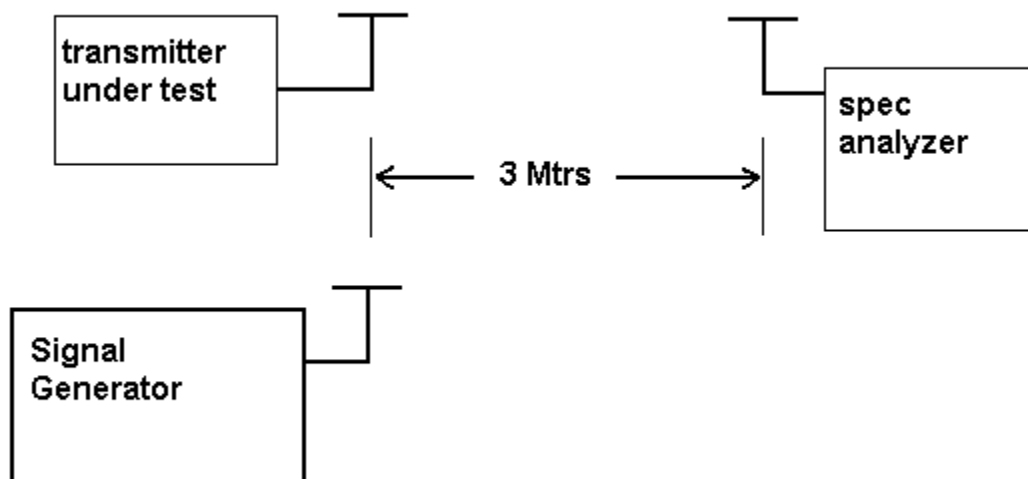
2.1033(c)(11) A photograph or a drawing of the equipment
identification label is included as exhibit No. 4-5.

2.1033(c)(12) Photographs of the equipment of sufficient clarity
to reveal equipment construction and layout,
Including meters, labels for controls, including any
view under shields. See exhibits 6-7.

2.1033(c)(13) Digital modulation is not allowed.

2.1033(c)(14) The data required by 2.1046 through 2.1057 is
submitted below.

2.1046(a) RF power output. The test procedure used was
TIA/EIA-603 S2

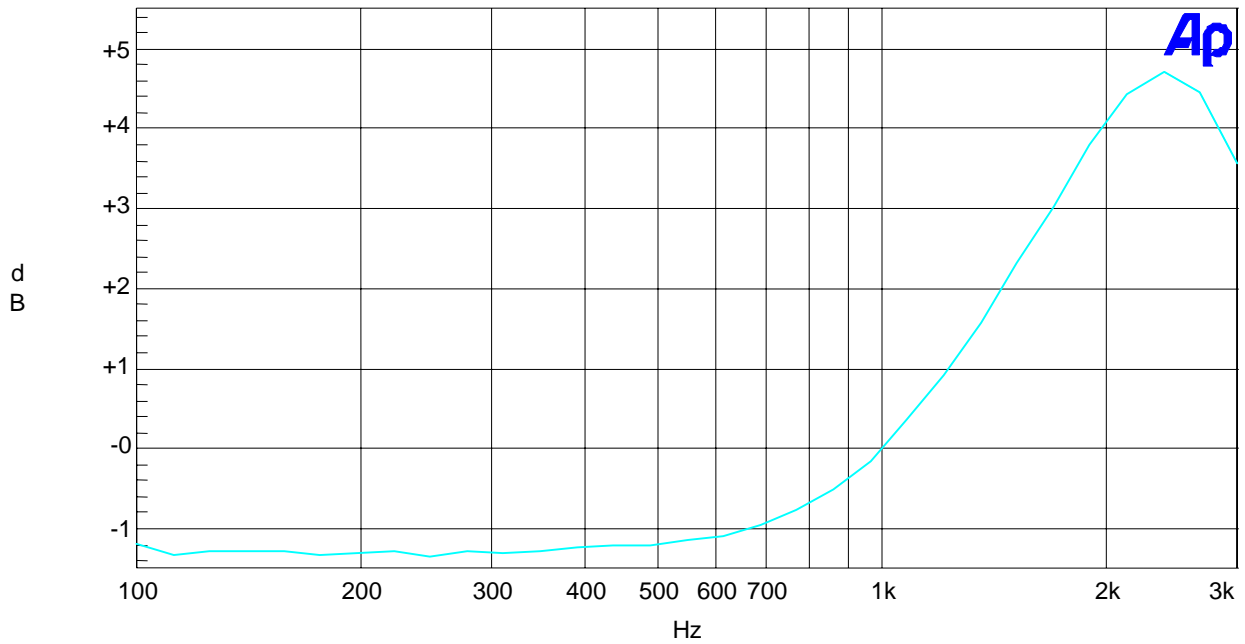


2.1047(a)(b) Modulation characteristics:

AUDIO FREQUENCY RESPONSE

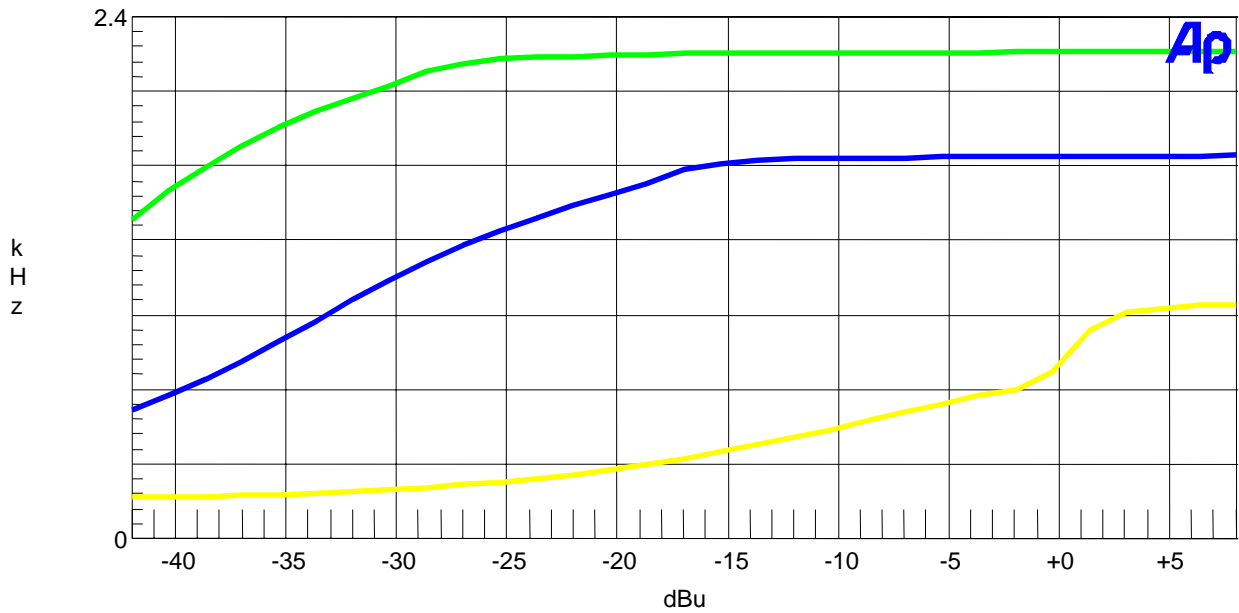
The audio frequency response was measured in accordance with TIA/EIA Specification 603. The audio frequency response curve is shown on the next page. The audio signal was fed into a dummy microphone circuit and into the microphone connector. The input required to produce 30 percent modulation level was measured. See plot below.

AUDIO FREQUENCY RESPONSE



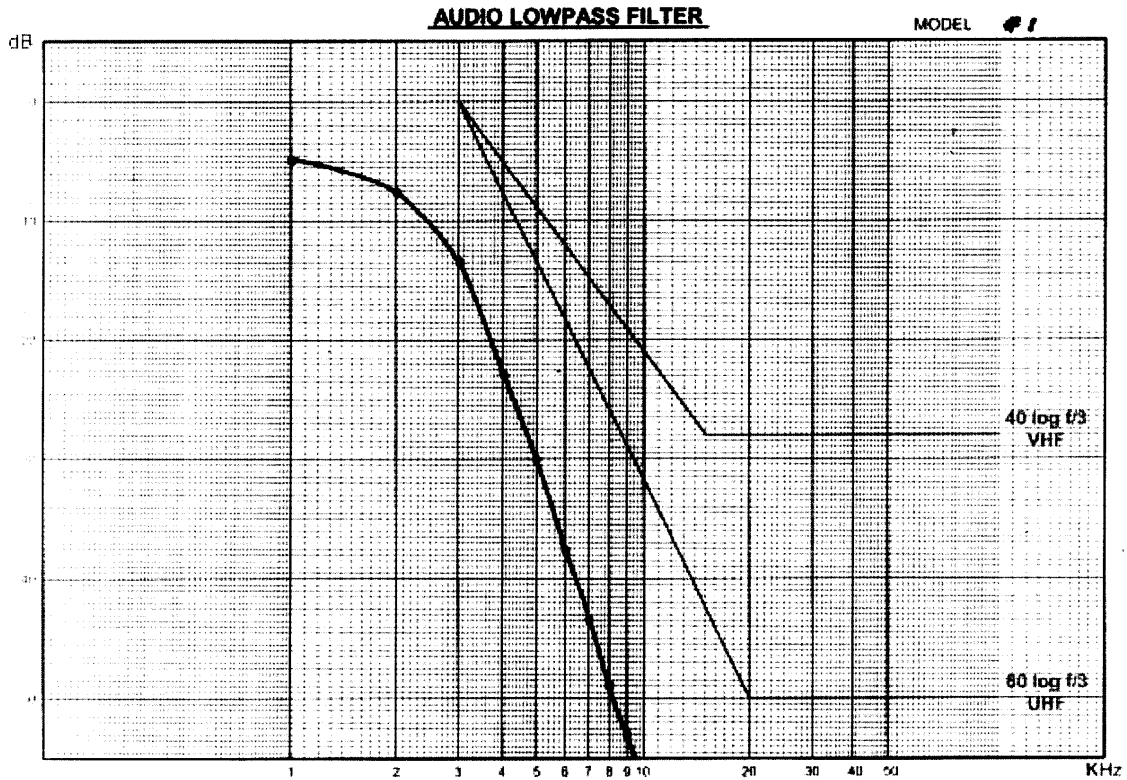
2.1047(b) Audio input versus modulation
The audio input level needed for a particular percentage of modulation was measured in accordance with TIA/EIA Specification 603. The audio input curves versus modulation are on the following pages. Curves are provided for audio input frequencies of 300, 1000, and 2500 Hz. See plot below

MODULATION LIMITING GRAPH -
2.5KHz (Green), 1.0KHz (Blue), and 300 Hz (Yellow)



95.637

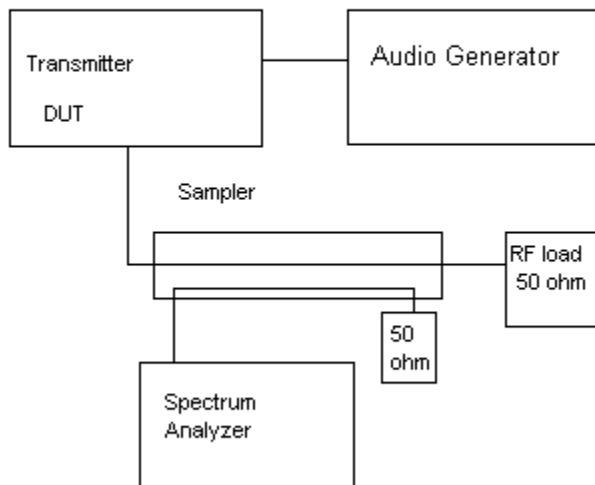
Post Limiter Filter Each GMRS transmitter, except a mobile station transmitter with a power of 2.5Watts or less, must be equipped with an audio low pass filter. At any frequency between 3 & 20 kHz the filter must have an attenuation of $60\log(f/3)$ greater than the attenuation at 1KHz. See below.



2.1049 Occupied bandwidth:
95.635(b)(1)(3)(7)

At least 25dB on any frequency removed from the center of the authorized bandwidth by more than 50% up to and including 100% of the authorized bandwidth. At least 35 dB on any frequency removed from the center of the authorized BW by more than 100% up to and including 250% of the authorized BW. At least $43 + \log_{10}(TP)$ dB on any frequency removed from the center of the authorized bandwidth by more than 250%. See plots on the next 2 pages.

Occupied BW Test Equipment Setup

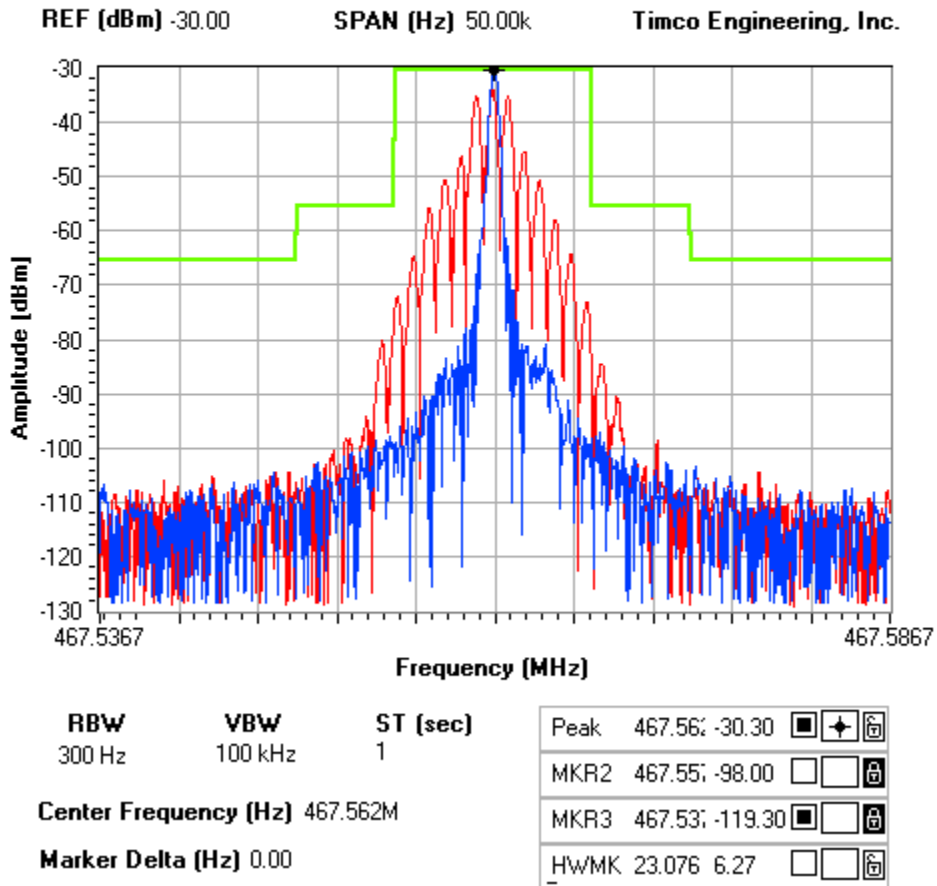


OCCUPIED BANDWIDTH PLOT

NOTES:

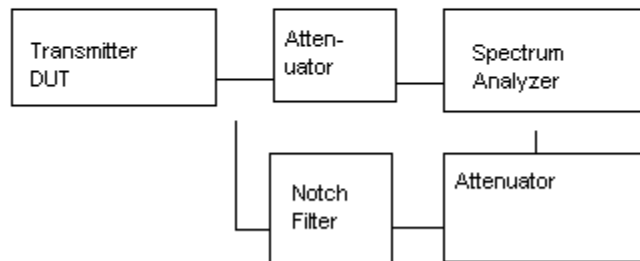
COBRA ELECTRONICS CORPORATION - FCC ID: BBOPR3100
OCCUPIED BANDWIDTH PLOT

FCC 95.635 Mask (1) (3) (7)



2.1051 Spurious emissions at antenna terminals(conducted):
The following data shows the level of conducted spurious responses at the antenna terminal. The test procedure used was TIA/EIA 603 S2.2.13 with the exception that the emissions were recorded in dBc. The spectrum was scanned from 0.4 to at least the 10th harmonic of the fundamental.

Spurious Emissions at
Antenna Terminals



Method of Measuring Conducted Spurious Emissions

2.1051 Spurious emissions at the Antenna Terminals

NAME OF TEST: SPURIOUS EMISSIONS AT ANTENNA TERMINALS

2.1051 Not Applicable, no antenna terminal allowed.

2.1053
95.635(b)(7)

UNWANTED RADIATION:

The tabulated Data shows the results of the radiated field strength emissions test. The spectrum was scanned from 30 MHz to at least the 10th harmonic of the fundamental. This test was conducted per ANSI C63.4-1992.

HIGH POWER: $43 + 10\log(.977) = 42.9$ Db
LOW POWER: $43 + 10\log(.347) = 38.4$ dB

TEST DATA (GMRS: HIGH POWER):

Emission Frequency MHz	Ant. Polarity	Corrected EUT Signal Reading	Coax Loss (dB)	Substitution Antenna (dBd)	dB Below Carrier (dBc)
462.72	V	29.9	0	0.00	0.00
925.44	V	-16.3	0	-1.32	47.52
1388.16	V	-39.9	1.1	-4.99	73.69
1850.88	H	-28.7	1.2	-5.24	62.64
2313.60	V	-32.3	1.25	-6.70	67.65
2776.32	V	-39.8	1.3	-7.20	75.60
3239.04	H	-43.6	1.4	-7.40	79.50
3701.76	V	-45.6	1.4	-7.50	81.60
4164.48	V	-45.8	1.45	-7.60	81.85
4627.20	H	-51.2	1.5	-8.30	87.90

LOW POWER:

Emission Frequency MHz	Ant. Polarity	Corrected EUT Signal Reading	Coax Loss (dB)	Substitution Antenna (dBd)	dB Below Carrier (dBc)
462.72	V	25.4	0	0.00	0.00
925.44	V	-16.3	0	-1.32	43.02
1388.16	V	-39.9	1.1	-4.99	69.19
1850.88	V	-35.5	1.2	-5.24	64.94
2313.60	V	-33.6	1.25	-6.70	64.45
2776.32	V	-39.9	1.3	-7.20	71.20
3239.04	H	-41.6	1.4	-7.40	73.00
3701.76	H	-52.4	1.4	-7.50	83.90
4164.48	V	-42.6	1.45	-7.60	74.15
4627.20	V	-49.2	1.5	-8.30	81.40

2.1053
95.635(b)(7)

UNWANTED RADIATION:

The tabulated Data shows the results of the radiated field strength emissions test. The spectrum was scanned from 30 MHz to at least the 10th harmonic of the fundamental. This test was conducted per ANSI C63.4-1992.

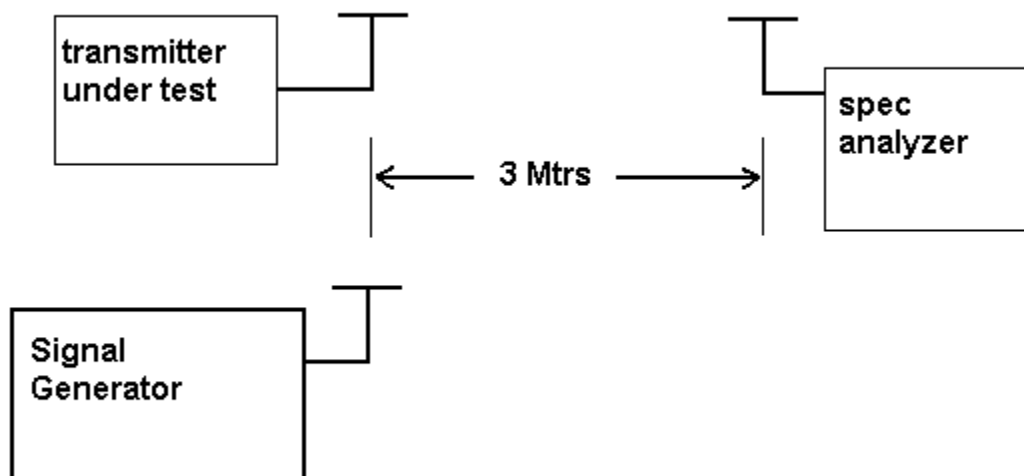
$$43 + 10\log(.457) = 39.6 \text{ dB}$$

TEST DATA (FRS):

Emission Frequency MHz	Ant. Polarity	Corrected EUT Signal Reading	Coax Loss (dB)	Substitution Antenna (dBd)	dB Below Carrier (dBc)
467.56	V	26.60	0	0	0
935.12	V	-17.90	0	-1.32	45.82
1402.68	V	-44.40	1.1	-4.99	74.89
1870.24	V	-33.60	1.2	-5.24	64.24
2337.80	V	-31.70	1.25	-6.7	63.75
2805.36	V	-39.90	1.3	-7.2	72.4
3272.92	V	-41.80	1.4	-7.4	74.4
3740.48	V	-47.80	1.4	-7.5	80.5
4208.04	V	-46.90	1.45	-7.6	79.65
4675.60	H	-54.30	1.5	-8.3	87.7

METHOD OF MEASUREMENT: The tabulated data shows the results of the radiated field strength emissions test. The spectrum was scanned from 30 MHz to at least the tenth harmonic of the fundamental. This test was conducted per TIA/EIA STANDARD 603 using the substitution method. Measurements were made at the open field test site of TIMCO ENGINEERING, INC. located at 849 NW State Road 45, Newberry, FL 32669.

Method of Measuring Radiated Spurious Emissions



Equipment placed 80 cm above ground
on a rotatable platform.

* Appropriate antenna raised from 1 to 4 M.

2.1055
95.621(b)

Frequency stability:

Temperature and voltage tests were performed to verify that the frequency remains within the 0.0005%, 5 ppm specification limit. The test was conducted as follows: The transmitter was placed in the temperature chamber at 25°C and allowed to stabilize for one hour. The transmitter was keyed ON for one minute during which four frequency readings were recorded at 15 second intervals. The worse case number was taken for temperature plotting. The assigned channel frequency was considered to be the reference frequency. The temperature was then reduced to -30°C after which the transmitter was again allowed to stabilize for one hour. The transmitter was keyed ON for one minute, and again frequency readings were noted at 15 second intervals. The worst case number was recorded for temperature plotting. This procedure was repeated in 10 degree increments up to + 50°C.

Readings were also taken at minus 15% of the battery voltage of 6.0 VDC.

MEASUREMENT DATA:

Assigned Frequency (Ref. Frequency): 467.561 973

TEMPERATURE C	FREQUENCY MHZ	PPM
REFERENCE_____	467.561 973	00.00
-30C_____	467.562 810	1.79
-20C_____	467.562 845	1.86
-10C_____	467.562 827	1.83
0C_____	467.562 591	1.32
10C_____	467.562 265	0.62
20C_____	467.561 842	-0.28
30C_____	467.561 382	-1.26
40C_____	467.561 226	-1.60
50C_____	467.561 559	-0.89

BATT. %	BATT. DATA	VOLTS	BATT. PPM
-15%	467.561 572	5.1	-0.86

RESULTS OF MEASUREMENTS: The maximum frequency variation over the temperature range was -1.60 to +1.86 ppm. The maximum frequency variation with voltage was -0.86 to -0.83 ppm.

Note: This EUT meets the frequency stability requirement for a FRS: +/- 2.5ppm over temp range of -20 degrees C to +50 degrees C. It also meets the GMRS frequency stability requirements: +/- 5ppm over the temp range -30 degrees C to +50 degrees C.

EMC Equipment List

Device	Manufacturer	Model	Serial Number	Cal/Char Date	Due Date
3/10-Meter OATS	TEI	N/A	N/A	Listed 3/26/01	3/26/04
3-Meter OATS	TEI	N/A	N/A	Listed 1/13/03	1/13/06
Biconnical Antenna	Eaton	94455-1	1057	CAL 3/18/03	3/18/05
Biconnical Antenna	Eaton	94455-1	1096	CAL 10/1/01	10/1/03
Biconnical Antenna	Electro- Metrics	BIA-25	1171	CAL 4/26/01	4/26/03
Blue Tower Quasi-Peak Adapter	HP	85650A	2811A01279	CAL 4/15/03	4/15/05
Blue Tower RF Preselector	HP	85685A	2926A00983	CAL 4/15/03	4/15/05
Blue Tower Spectrum Analyzer	HP	8568B	2928A04729 2848A18049	CAL 4/15/03	4/15/05
LISN	Electro- Metrics	ANS-25/2	2604	CAL 10/9/01	10/9/03
LISN	Electro- Metrics	EM-7820	2682	CAL 3/12/03	3/12/05
Log-Periodic Antenna	Eaton	96005	1243	CAL 5/8/03	5/8/05