



849 NW STATE ROAD 45
NEWBERRY, FL 32669 USA
PH: 888.472.2424 OR 352.472.5500
FAX: 352.472.2030
EMAIL: INFO@TIMCOENGR.COM
[HTTP://WWW.TIMCOENGR.COM](http://WWW.TIMCOENGR.COM)

FCC PART 80 AND IC RSS-182 TEST REPORT

APPLICANT	COBRA ELECTRONICS CORPORATION
	6500 WEST CORTLAND STREET CHICAGO IL 60707 USA
FCC ID	BBOMRHH330
IC CERTIFICATION	906B-MRHH330
MODEL NUMBERS	MR HH330 (Radio with Bluetooth) MR HH475 (Radio without Bluetooth)
PRODUCT DESCRIPTION	HANDHELD MARINE TRANSCEIVER
DATE SAMPLE RECEIVED	4/1/2009
DATE TESTED	4/22/2009
TESTED BY	Joe Scoglio
APPROVED BY	Mario de Aranzeta
TIMCO REPORT NO.	661AUT9TestReport.doc
TEST RESULTS	<input checked="" type="checkbox"/> PASS <input type="checkbox"/> FAIL

**THE ATTACHED REPORT SHALL NOT BE REPRODUCED EXCEPT IN FULL
WITHOUT THE WRITTEN APPROVAL OF TIMCO ENGINEERING, INC.**



Certificate # 0955-01

TABLE OF CONTENTS

GENERAL REMARKS 3

GENERAL INFORMATION 4

TEST PROCEDURES..... 5

TECHNICAL DATA 6

RF POWER OUTPUT 7

MODULATION CHARACTERISTICS..... 8

AUDIO FREQUENCY RESPONSE..... 9

AUDIO LOW PASS FILTER 10

AUDIO INPUT VERSUS MODULATION..... 11

OCCUPIED BANDWIDTH 12

SPURIOUS EMISSIONS AT ANTENNA TERMINALS (CONDUCTED)..... 14

FIELD STRENGTH OF SPURIOUS EMISSIONS 15

RECEIVER RADIATED SPURIOUS EMISSIONS..... 17

FREQUENCY STABILITY 18

EMC EQUIPMENT LIST..... 19

Applicant: COBRA ELECTRONICS CORPORATION
 FCC ID: BBOMRHH330
 IC CERT #: 906B-MRHH330
 Report: C\COBRA\661AUT9\661AUT9TestReport.doc

GENERAL REMARKS

The attached report shall not be reproduced except in full without the written permission of Timco Engineering Inc.

The test results relate only to the items tested.

Summary

The device under test does:

- fulfill the general approval requirements as identified in this test report
- not fulfill the general approval requirements as identified in this test report

Attestations

This equipment has been tested in accordance with the standards identified in this test report. To the best of my knowledge and belief, these tests were performed using the measurement procedures described in this report.

All instrumentation and accessories used to test products for compliance to the indicated standards are calibrated regularly in accordance with ISO 17025 requirements.



Testing Certificate # 0955-01

I attest that the necessary measurements were made, under my supervision, at:

Timco Engineering Inc.
849 NW State Road 45
Newberry, Fl 32669



Authorized Signatory Name:

Mario de Aranzeta C.E.T.
Compliance Engineer/ Lab. Supervisor

Date: 4/27/2009

Applicant: COBRA ELECTRONICS CORPORATION
FCC ID: BBOMRHH330
IC CERT #: 906B-MRHH330
Report: C\COBRA\661AUT9\661AUT9TestReport.doc

GENERAL INFORMATION

DUT Specification

DUT Description	HANDHELD MARINE TRANSCEIVER
FCC ID	BBOMRHH330
IC Certification	906B-MRHH330
Model Numbers	MR HH330 (Radio with Bluetooth) MR HH475 (Radio without Bluetooth)
Operating Frequency	156.025-157.425 MHz
Test Frequencies	156.4 MHz, 157.4 MHz
No. of Channels	All U.S., Canadian, International and NOAA Weather Channel
Type of Emission	16K0G3E, 16K0F3E
Modulation	FM
DUT Power Source	<input type="checkbox"/> 110-120Vac/50- 60Hz
	<input type="checkbox"/> DC Power 12V
	<input checked="" type="checkbox"/> Battery Operated Exclusively
Test Item	<input type="checkbox"/> Prototype
	<input checked="" type="checkbox"/> Pre-Production
	<input type="checkbox"/> Production
Type of Equipment	<input type="checkbox"/> Fixed
	<input type="checkbox"/> Mobile
	<input checked="" type="checkbox"/> Portable
Antenna Connector	N/A – Fixed Antenna
Test Conditions	The temperature was 26°C with a relative humidity of 50%.
Modification to the DUT	None
Test Exercise	The DUT was placed in continuous transmit mode.
Applicable Standards	ANSI/TIA 603-C:2004, FCC CFR 47 Part 80, IC RSS-182 and RSS-GEN
Test Facility	Timco Engineering Inc. at 849 NW State Road 45 Newberry, FL 32669 USA.

Applicant: COBRA ELECTRONICS CORPORATION
 FCC ID: BBOMRHH330
 IC CERT #: 906B-MRHH330
 Report: C\COBRA\661AUT9\661AUT9TestReport.doc

TEST PROCEDURES

Power Line Conducted Interference: The procedure used was ANSI/TIA 603-C:2004 using a 50uH LISN. Both lines were observed with the DUT transmitting. The bandwidth of the spectrum analyzer was 10 kHz with an appropriate sweep speed.

Bandwidth 20 dB: The measurements were made with the spectrum analyzer's resolution bandwidth (RBW) = 1 MHz and the video bandwidth (VBW) = 3 MHz and the span set as shown on plot.

Power Output: The RF power output was measured at the antenna feed point using a peak power meter.

Antenna Conducted Emissions: The RBW = 100 kHz, VBW = 300 kHz and the span set to 10.0 MHz and the spectrum was scanned from 30 MHz to the 10th harmonic of the fundamental. Above 1 GHz the resolution bandwidth was 1 MHz and the VBW = 3 MHz and the span to 50 MHz.

Radiation Interference: The test procedure used was ANSI C63.4-2004 using an Agilent spectrum receiver with pre-selector. The bandwidth (RBW) of the spectrum receiver was 100 kHz up to 1 GHz and 1 MHz above 1 GHz with an appropriate sweep speed. The VBW above 1 GHz was 3 MHz. The analyzer was calibrated in dB above a micro volt at the output of the antenna.

Applicant: COBRA ELECTRONICS CORPORATION
FCC ID: BBOMRHH330
IC CERT #: 906B-MRHH330
Report: C\COBRA\661AUT9\661AUT9TestReport.doc

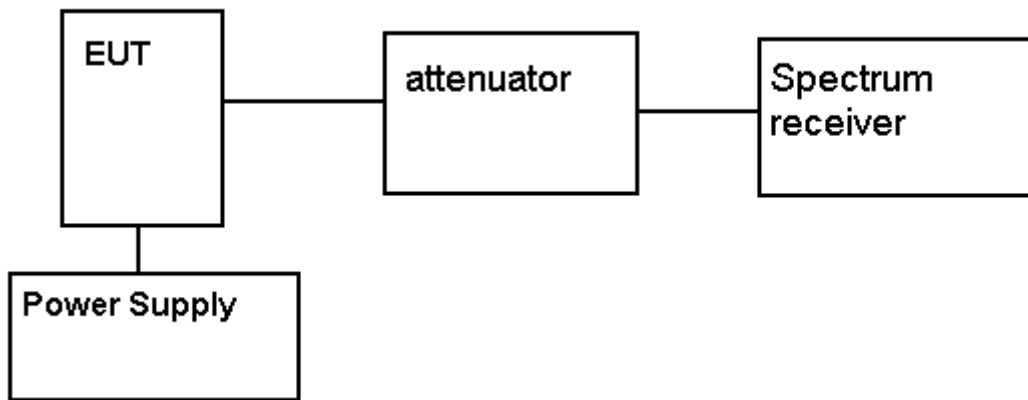
RF POWER OUTPUT

Rule Part No.: FCC Part 2.1046(a), 80.215(e)(1), IC RSS-82

Test Requirements:

Method of Measurement: RF power is measured by connecting a 50-ohm, resistive wattmeter to the RF output connector. With a nominal battery voltage, and the transmitter properly adjusted the RF output measures:

Test Setup Diagram:



Test Data:

OUTPUT POWER: HIGH – 6.0 Watts (Conducted)
 LOW - 1.0 Watts (Conducted)

Part 2.1033 (C)(8) DC Input into the final amplifier

FOR LOW POWER SETTING INPUT POWER: $(7.4V)(.64A) = 4.73$ Watts
 FOR HIGH POWER SETTING INPUT POWER: $(7.4V)(1.3A) = 9.62$ Watts

Applicant: COBRA ELECTRONICS CORPORATION
 FCC ID: BBOMRHH330
 IC CERT #: 906B-MRHH330
 Report: C\COBRA\661AUT9\661AUT9TestReport.doc

MODULATION CHARACTERISTICS

Part 2.1033(c) (4) Type of Emission: 16K0G3E, 16K0F3E
FCC Part 80.205(a)
RSS-182, RSS-GEN

$$B_n = 2M + 2DK$$

$$M = 3000$$

$$D = 4.6\text{kHz (Peak Deviation)}$$

$$K = 1$$

$$B_n = 2(3000) + 2(4.6\text{K})(1) = 16.0\text{K}$$

80.205(a) ALLOWED AUTHORIZED BANDWIDTH – 20.00 kHz

Applicant: COBRA ELECTRONICS CORPORATION
FCC ID: BBOMRHH330
IC CERT #: 906B-MRHH330
Report: C\COBRA\661AUT9\661AUT9TestReport.doc

AUDIO FREQUENCY RESPONSE

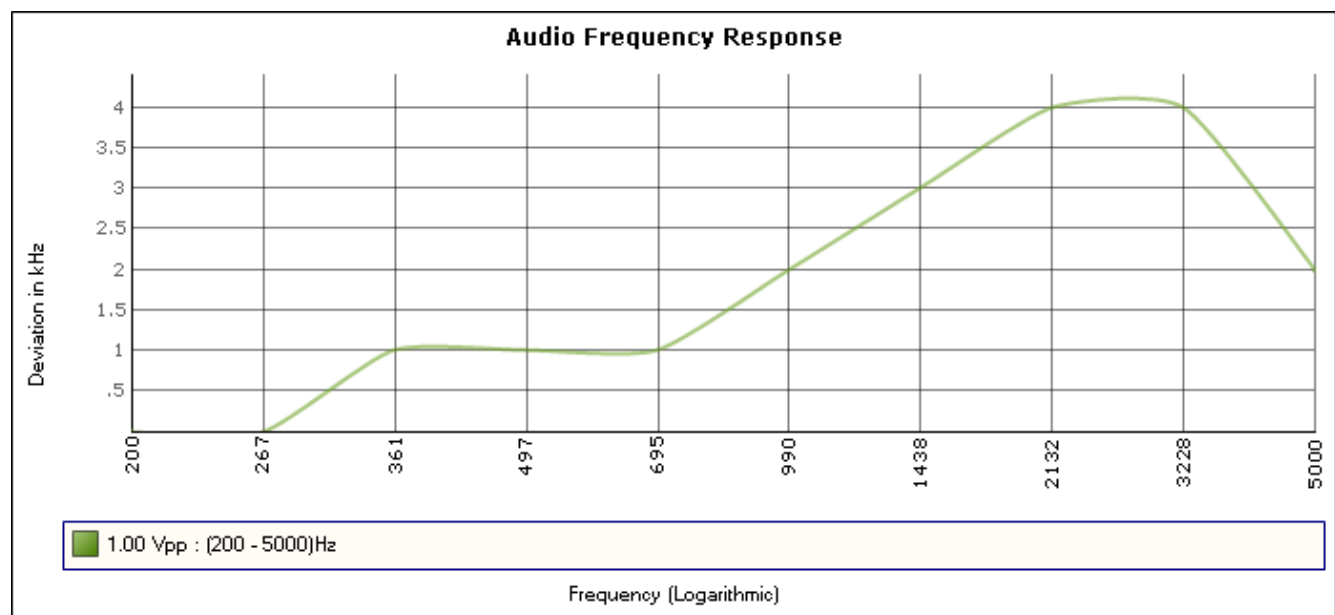
Rule Part No.: FCC Part 2.1047(a)(b), IC RSS-182

Test Requirements:

Method of Measurement:

The audio frequency response was measured in accordance with ANSI/TIA 603-C:2004. A curve or equivalent data showing the frequency response of the audio modulating circuit over a range of 100 – 5000Hz shall be submitted. The audio frequency response curve is shown below.

AUDIO FREQUENCY RESPONSE PLOT



Applicant: COBRA ELECTRONICS CORPORATION
 FCC ID: BBOMRHH330
 IC CERT #: 906B-MRHH330
 Report: C\COBRA\661AUT9\661AUT9TestReport.doc

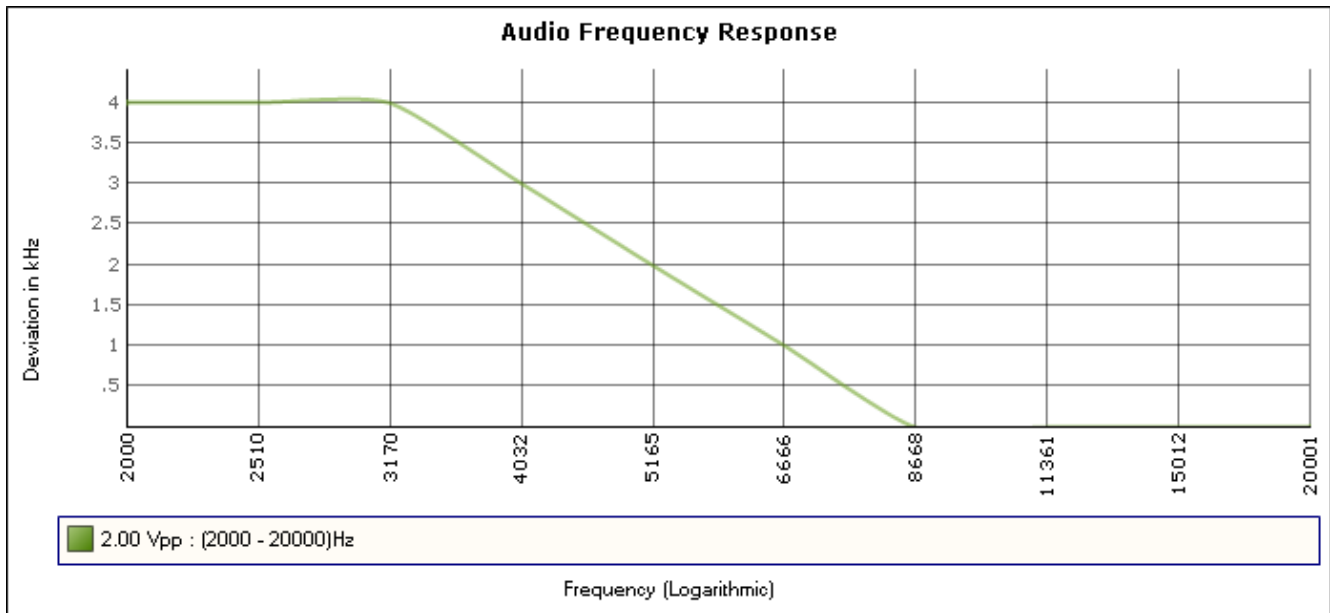
AUDIO LOW PASS FILTER

VOICE MODULATED COMMUNICATION EQUIPMENT

Rule Part No.: 2.1047(a)

For equipment required to have an audio low-pass filter, a curve showing the frequency response of the filter, or of all the circuitry installed between the modulation limiter and the modulated stage shall be submitted.

AUDIO LOW PASS FILTER



Applicant: COBRA ELECTRONICS CORPORATION
 FCC ID: BBOMRHH330
 IC CERT #: 906B-MRHH330
 Report: C\COBRA\661AUT9\661AUT9TestReport.doc

AUDIO INPUT VERSUS MODULATION

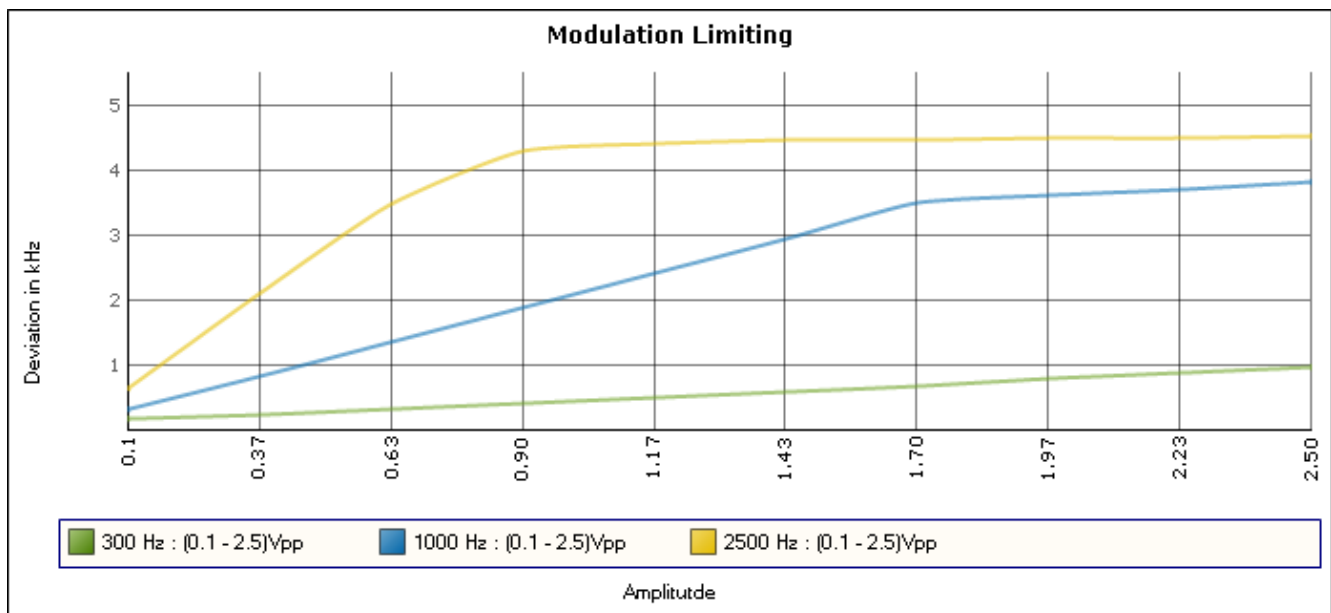
Rule Part No.: FCC Part 2.1047(b) & 80, IC RSS-182

Test Requirements: Modulation cannot exceed 100%.

Method of Measurement: The audio input level needed for a particular percentage of modulation was measured in accordance with ANSI/TIA 603-C:2004. The audio input curves versus modulation are shown below. Curves are provided for audio input frequencies of 300, 1000, and 3000 Hz.

Test data:

Modulation Limiting Plot



Applicant: COBRA ELECTRONICS CORPORATION
 FCC ID: BBOMRHH330
 IC CERT #: 906B-MRHH330
 Report: C\COBRA\661AUT9\661AUT9TestReport.doc

OCCUPIED BANDWIDTH

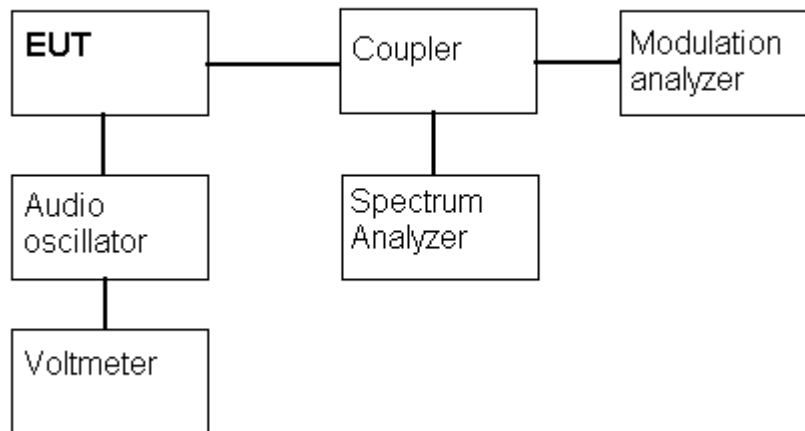
FCC Part 2.1049(c), RSS-GEN 4.6 EMISSION BANDWIDTH
FCC Part 80.213(b) RSS-182

Data in the plots show that on any frequency removed from the assigned frequency by more than 50%, but not more than 100%: At least 25dB. On any frequency removed from the assigned frequency by more than 100%, but not more than 250%: At least 35 dB. On any frequency removed from the assigned frequency by more than 250%, of the authorized bandwidth: At least $43 + 10\log(P)$ dB.

Method of Measurement: ANSI/TIA-603-C:2004

Test Setup Diagram:

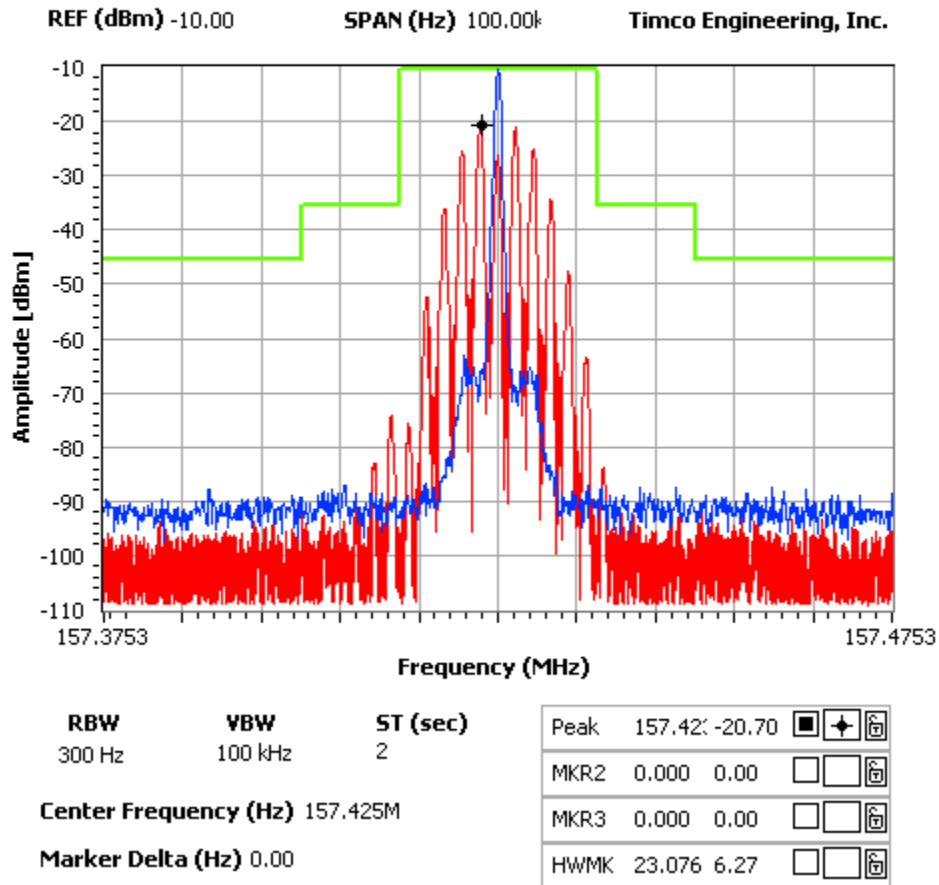
OCCUPIED BANDWIDTH MEASUREMENT



Test Data: See the plot below

NOTES:

OCCUPIED BANDWIDTH



Applicant: COBRA ELECTRONICS CORPORATION
 FCC ID: BBOMRHH330
 IC CERT #: 906B-MRHH330
 Report: C:\COBRA\661AUT9\661AUT9TestReport.doc

SPURIOUS EMISSIONS AT ANTENNA TERMINALS (CONDUCTED)

Rule Part No.: FCC Part 2.1051(a), 80.211, RSS-182

Requirements: Emissions must be $43+10\log(PO)$ dB below the mean power output of the transmitter.

Method of Measurement: The carrier was modulated 100% using a 2500 Hz tone. The spectrum was scanned from 0.4 to at least the 10th harmonic of the fundamental. The measurements were made in accordance with standard ANSI/TIA 603-C: 2004.

NOT APPLICABLE: DUT HAS FIXED ANTENNA

FIELD STRENGTH OF SPURIOUS EMISSIONS

Rule Parts. No.: FCC Part 2.1053, RSS-182

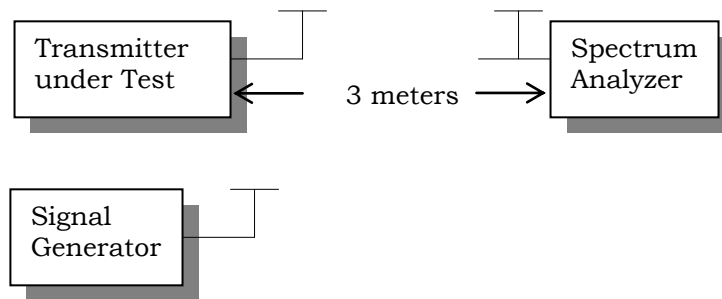
Requirements: Emissions must be $43+10\log(PO)$ dB below the mean power output of the transmitter.

$$43+10\log(6) = 50.8$$

$$43+10\log(1) = 43.0$$

METHOD OF MEASUREMENT: The tabulated data shows the results of the radiated field strength emissions test. The spectrum was scanned from 30 MHz to at least the tenth harmonic of the fundamental. This test was conducted per ANSI/TIA 603-C:2004 using the substitution method.

Test Setup Diagram:



Test Data:

SUBSTITUTION

HIGH POWER

Emission Frequency MHz	Ant. Polarity	dB Below Carrier (dBc)
157.40	V	0
314.80	H	84.92
472.20	V	91.94
629.70	V	98.04
787.10	V	98.13
944.50	V	90.29
1102.00	H	88.75

LOW POWER

Emission Frequency MHz	Ant. Polarity	dB Below Carrier (dBc)
156.40	V	0
312.80	H	82.92
469.20	V	91.74
625.60	V	92.14
782.00	V	93.73
938.40	V	90.19
1094.80	H	84.35

Applicant: COBRA ELECTRONICS CORPORATION
 FCC ID: BBOMRHH330
 IC CERT #: 906B-MRHH330
 Report: C\COBRA\661AUT9\661AUT9TestReport.doc

RECEIVER RADIATED SPURIOUS EMISSIONS

Rule Parts. No.: FCC Part 15.109, RSS-GEN 4.10, 6

Requirements:

Frequency MHz	Limits
30 – 88	40.0 dB μ V/m measured @ 3 meters
80 – 216	43.5 dB μ V/m measured @ 3 meters
216 – 960	46.0 dB μ V/m measured @ 3 meters
Above 960	54.0 dB μ V/m measured @ 3 meters

TEST DATA:

Tuned Frequency MHz	Emission Frequency MHz	Meter Reading dB μ V	Ant. Pol	Coax Loss dB	Correction Factor dB	Field Strength dB μ V/m	Margin dB
156.3	134.90	3.0	V	0.68	12.70	16.38	27.12
156.3	134.90	3.2	H	0.68	12.90	16.78	26.72
157.4	140.60	2.5	V	0.69	13.07	16.26	27.24
157.4	140.60	3.2	H	0.69	13.06	16.95	26.55
162.5	141.10	4.1	V	0.69	13.13	17.92	25.58
162.5	141.10	4.2	H	0.69	13.11	18.00	25.50

Applicant: COBRA ELECTRONICS CORPORATION
 FCC ID: BBOMRHH330
 IC CERT #: 906B-MRHH330
 Report: C\COBRA\661AUT9\661AUT9TestReport.doc

FREQUENCY STABILITY

Rule Parts. No.: FCC Part 2.1055, Part 80.209(a), RSS-182, RSS-GEN

Requirements: Temperature and voltage tests were performed to verify that the frequency remains within the .0010%, 10.0 ppm, specification limit, for 20 kHz spacing. The test was conducted as follows: The transmitter was placed in the temperature chamber at 25°C and allowed to stabilize for one hour. The transmitter was keyed ON for one minute during which four frequency readings were recorded at 15 second intervals. The worst-case number was taken for temperature plotting. The assigned channel frequency was considered to be the reference frequency. The temperature was then reduced to -20°C after which the transmitter was again allowed to stabilize for one hour. The transmitter was keyed ON for one minute and was again allowed to stabilize for one hour. The transmitter was keyed ON for one minute and again frequency readings were noted at 15 sec intervals. The worst-case number was recorded for temperature plotting. This procedure was repeated in 10-degree increments up to +50°C.

Method of Measurements: ANSI/TIA 603-C:2004

Test Data:

Assigned Frequency (Ref. Frequency) (MHz)		
Temperature (°C)	Frequency (MHz)	Frequency Stability (PPM)
-30	157.425441	2.49
-20	157.425322	1.73
-10	157.425006	-0.27
0	157.424919	-0.83
+10	157.425027	-0.14
+20	157.425083	0.22
+30	157.425135	0.55
+40	157.425212	1.04
+50	157.425398	2.22

Assigned Frequency (Ref. Frequency) (MHz)		
% Battery (%)	Frequency (MHz)	Frequency Stability (PPM)
-15%	157.425049	0
0	157.425049	0
+15%	157.425049	0

Applicant: COBRA ELECTRONICS CORPORATION
 FCC ID: BBOMRHH330
 IC CERT #: 906B-MRHH330
 Report: C\COBRA\661AUT9\661AUT9TestReport.doc

EMC EQUIPMENT LIST

Device	Manufacturer	Model	Serial Number	Cal/Char Date	Due Date
3/10-Meter OATS	TEI	N/A	N/A	Listed 3/20/07	3/19/10
3-Meter OATS	TEI	N/A	N/A	Listed 2/5/09	2/5/12
3-Meter Semi-Anechoic Chamber	Panashield	N/A	N/A	Listed 5/11/07	5/11/10
Analyzer Tan Tower Quasi-Peak Adapter	HP	85650A	3303A01690	CAL 11/30/07	11/30/09
Analyzer Tan Tower RF Preselector	HP	85685A	3221A01400	CAL 11/30/07	11/30/09
Analyzer Tan Tower Spectrum Analyzer	HP	8566B Opt 462	3138A07786 3144A20661	CAL 11/30/07	11/30/09
Analyzer Tan Tower Preamplifier	HP	8449B-H02	3008A00372	CAL 11/30/07	11/30/09
Frequency Counter	HP	5385A	2730A03025	CAL 7/6/07	7/6/09
Hygro-Thermometer	Extech	445703	0602	CAL 11/15/07	11/15/09
Measuring Tape-7.5M	Kraftixx	7.5M PROFI		CHAR 11/13/07	11/13/09
Digital Multimeter	Fluke	FLUKE-77-3	79510405	CAL 5/14/07	5/14/09
System One	Audio Precision	System One	SYS1-45868	CHAR 2/27/08	2/27/10
Temperature Chamber	Tenney Engineering	TTRC	11717-7	CHAR 4/25/08	4/25/10

Applicant: COBRA ELECTRONICS CORPORATION
 FCC ID: BBOMRHH330
 IC CERT #: 906B-MRHH330
 Report: C\COBRA\661AUT9\661AUT9TestReport.doc