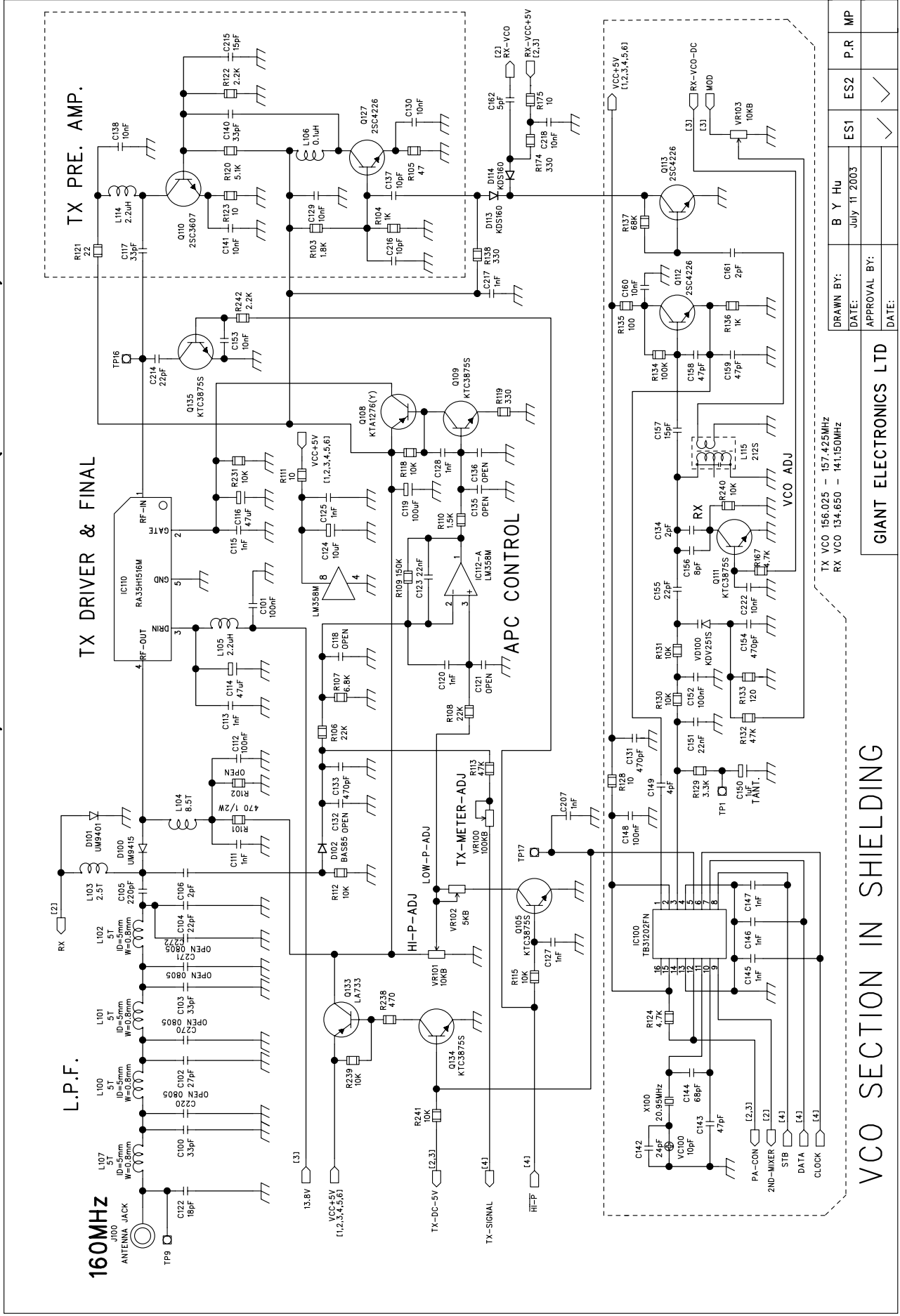


CIRCUIT DAIGRAM OF MRF75/55 TX RF SECTION (PAGE 1 OF 6)



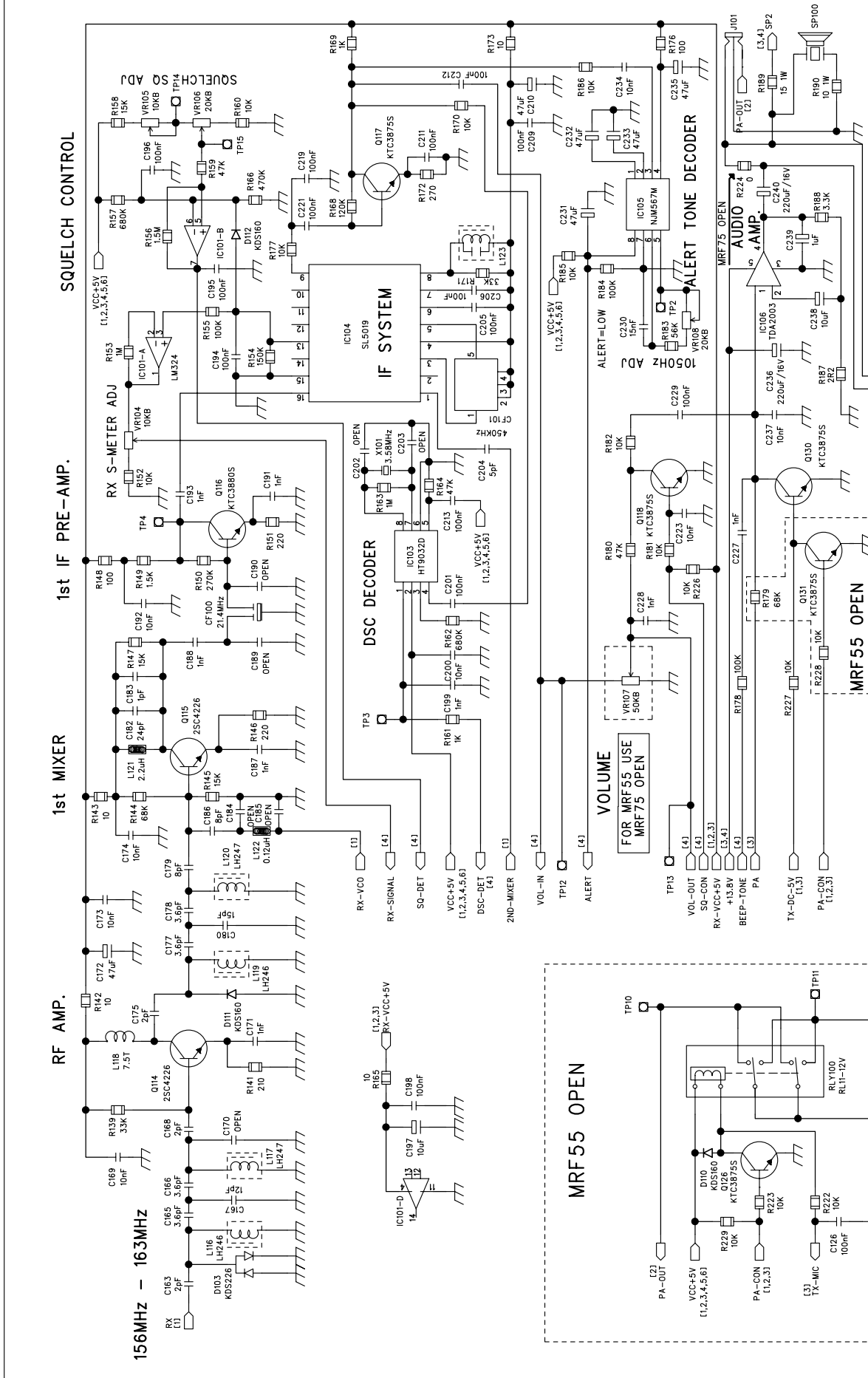
TX VCO 156.025 - 157.425MHz
 RX VCO 134.650 - 141.150MHz

VCO SECTION IN SHIELDING

GIANT ELECTRONICS LTD

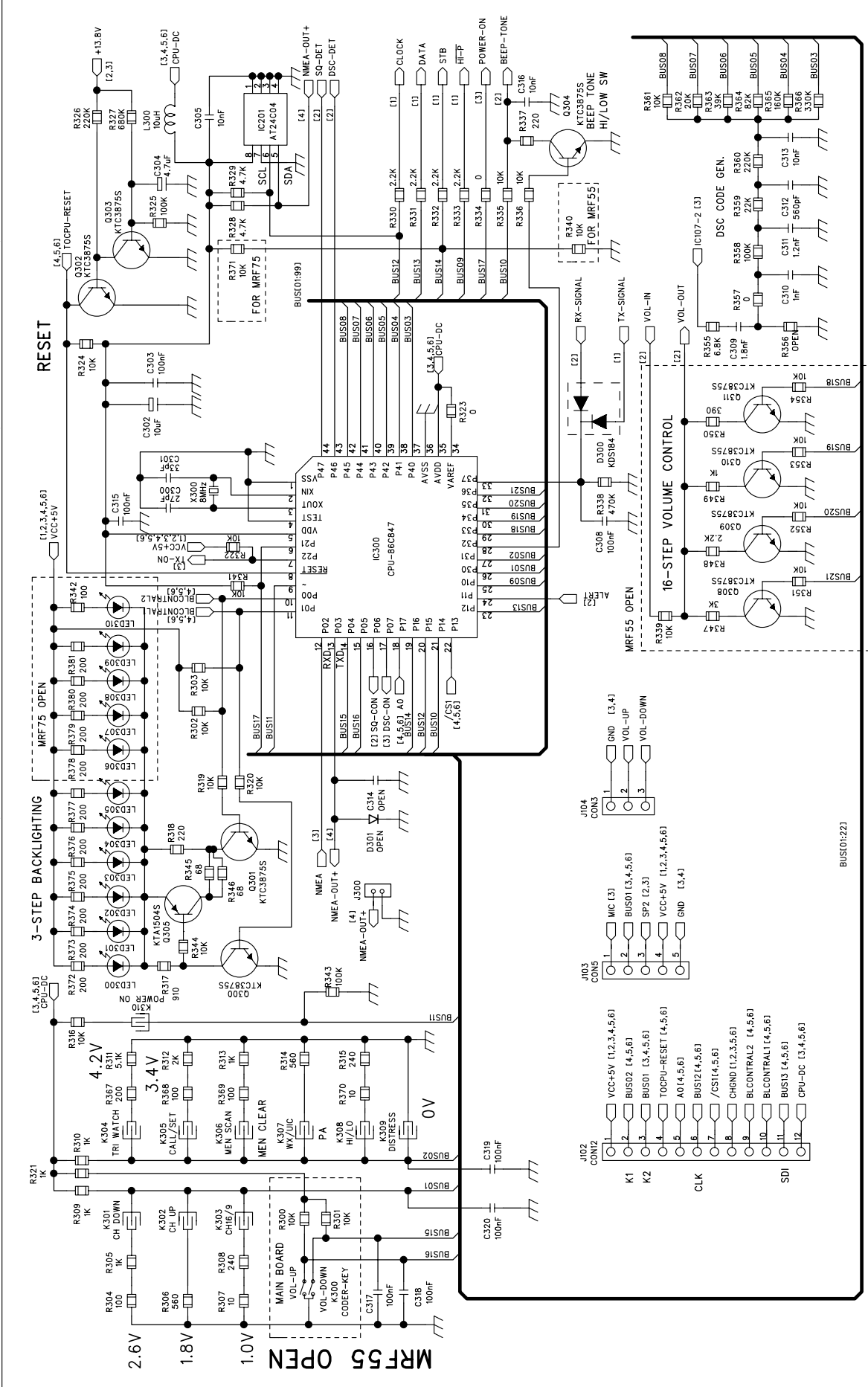
DRAWN BY:	B Y Hu	ES1	ES2	P.R	MP
DATE:	July 11 2003				
APPROVAL BY:					
DATE:					

CIRCUIT DIAGRAM OF MRF75/55 RX SECTION (PAGE 2 OF 6)



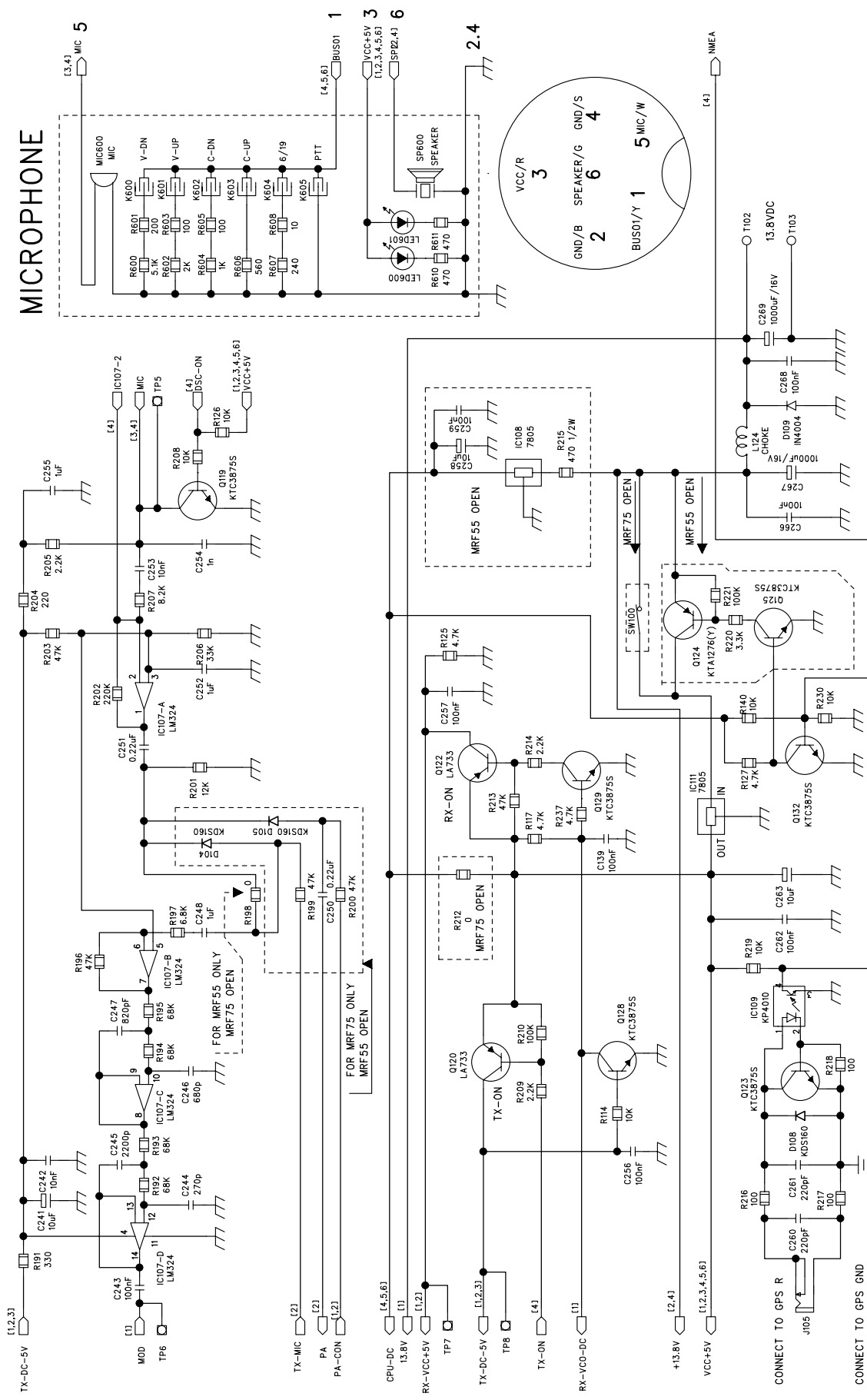
Giant Electronics Ltd	DRAWN BY: B Y HU	DATE: JULY 11 2003	ES1	ES2	P.R	MP
			✓	✓		
APPROVAL BY: _____						
DATE: _____						

CIRCUIT DIAGRAM OF MRF75/55 FRONT PANEL SECTION (PAGE 4 OF 6)

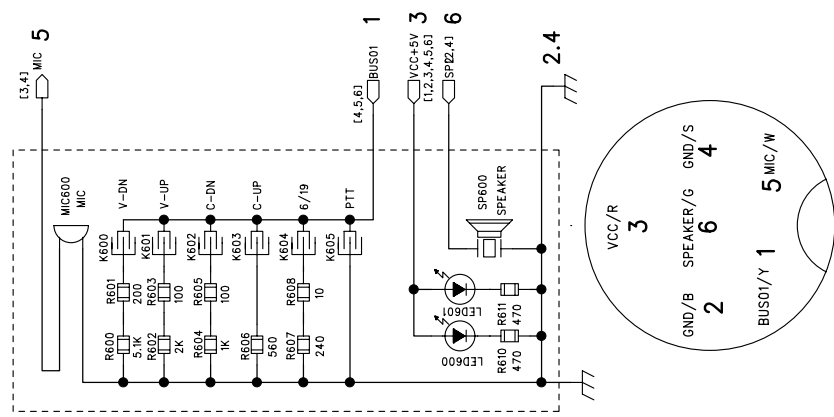


GIANT ELECTRONICS LTD		DRAWN BY: B Y Hu	ES1	ES2	P.R	MP
		DATE: July 11 2003	✓	✓		
		APPROVAL BY:				
		DATE:				

CIRCUIT DIAGRAM OF MRF75/55 POWER & MIC SECTION (PAGE 3 OF 6)



MICROPHONE

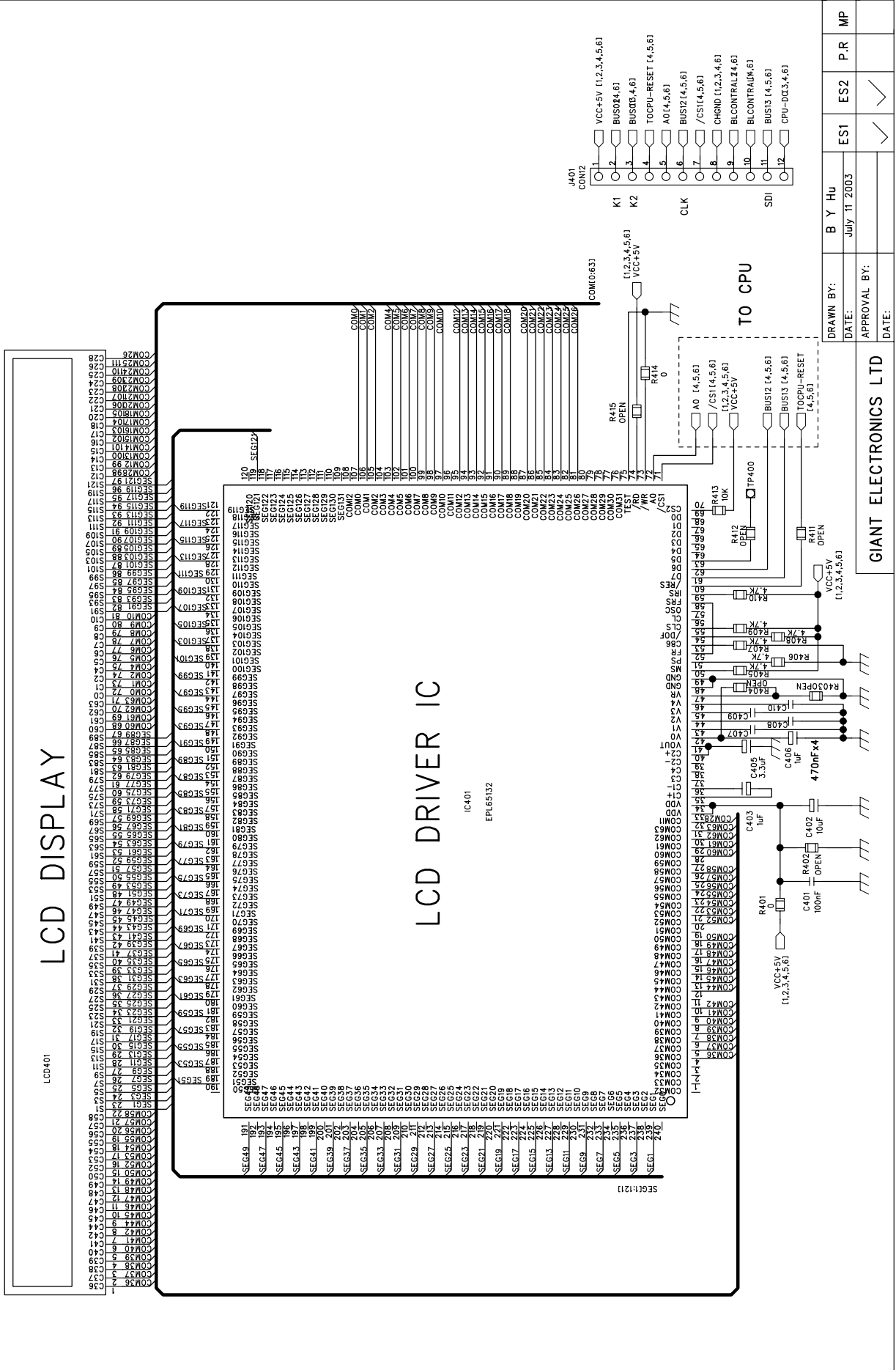


DRAWN BY:	B Y HU	ES1	ES2	P.R	MP
DATE:	July_11_2003	✓	✓		
APPROVAL BY:					
DATE:					

GIANT ELECTRONICS LTD

CIRCUIT DIAGRAM OF MRF75 RX SECTION (PAGE 5 OF 6)

MRF75 LCD DISPLAY CIRCUIT

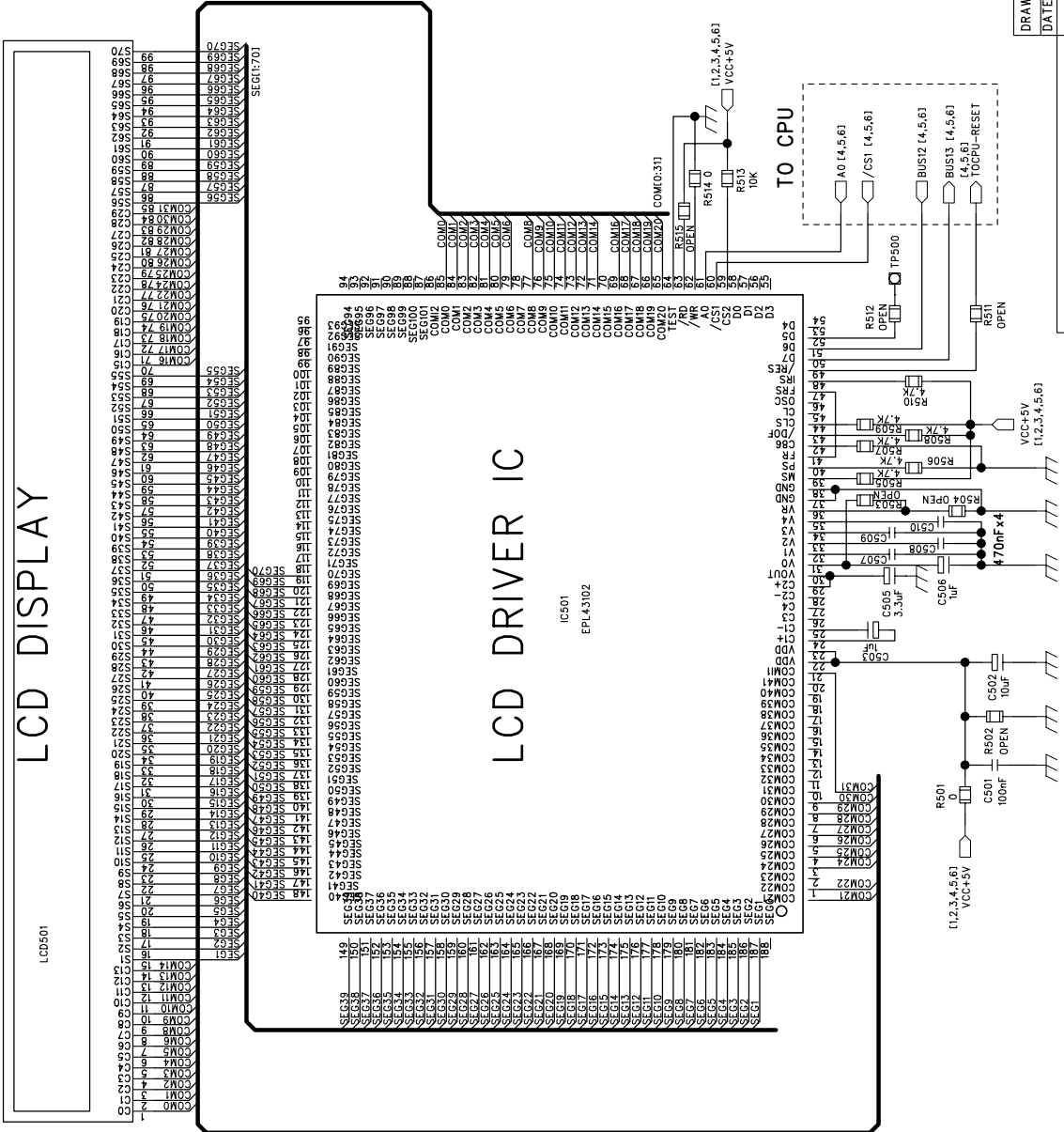


DRAWN BY:	B Y Hu	ES1	ES2	P.R	MP
DATE:	July 11 2003	✓	✓		
APPROVAL BY:					
DATE:					

Giant Electronics Ltd

CIRCUIT DIAGRAM OF MRF55 RX SECTION (PAGE 6 OF 6)

MRF55 LCD DISPLAY CIRCUIT



DRAWN BY:	B Y Hu	ES1	ES2	P.R	MP
DATE:	JULY 11 2003				
APPROVAL BY:					
DATE:					

GIANT ELECTRONICS LTD