

TIMCO ENGINEERING INC.

849 NW State Road 45
Newberry, Florida 32669
<http://www.timcoengr.com>
888.472.2424 F 352.472.2030 email: tei@timcoengr.com

Test Report

Product Name: FRS/GMRS TRANSCEIVER

FCC ID: BBOLI4900

Applicant:

COBRA ELECTRONICS CORPORATION
6500 WEST CORTLAND STREET
CHICAGO IL 60707
USA

Date Receipt: 12/6/2006

Date Tested: 12/13/2006

APPLICANT: COBRA ELECTRONICS CORPORATION
FCC ID: BBOLI4900
REPORT #: C\COBRA\3328AUT6\3328AUT6TestReport.doc

COVER SHEET

TIMCO ENGINEERING INC.

849 NW State Road 45
Newberry, Florida 32669
<http://www.timcoengr.com>
888.472.2424 F 352.472.2030 email: sid@timcoengr.com

TABLE OF CONTENTS LIST

TEST REPORT:

PAGE 1.....	GENERAL INFORMATION & TECHNICAL DESCRIPTION
PAGE 2.....	TECHNICAL DESCRIPTION CONTINUED RF POWER OUTPUT
PAGE 3.....	MODULATION CHARACTERISTICS AUDIO FREQUENCY RESPONSE GRAPH
PAGE 4.....	MODULATION LIMITING GRAPH
PAGE 5.....	AUDIO LOW PASS FILTER GRAPH
PAGE 6.....	OCCUPIED BANDWIDTH
PAGE 7.....	OCCUPIED BANDWIDTH PLOT
PAGE 8.....	SPURIOUS EMISSIONS AT ANTENNA TERMINALS
PAGE 9.....	UNWANTED RADIATION - GMRS
PAGE 10.....	UNWANTED RADIATION - FRS
PAGE 11.....	METHOD OF MEASURING RADIATED SPURIOUS EMISSIONS
PAGE 12.....	FREQUENCY STABILITY
PAGE 13.....	LIST OF TEST EQUIPMENT

EXHIBITS INCLUDED:

CONFIDENTIALITY LETTER
BLOCK DIAGRAM
SCHEMATIC
PARTS LIST
USERS MANUAL
LABEL SAMPLE
LABEL LOCATION
EXTERNAL PHOTOGRAPHS
INTERNAL PHOTOGRAPHS
ALIGNMENT PROCEDURE
OPERATIONAL DESCRIPTION
TEST SET UP PHOTOGRAPH

APPLICANT: COBRA ELECTRONICS CORPORATION
FCC ID: BBOLI4900
REPORT #: C\COBRA\3328AUT6\3328AUT6TestReport.doc

TABLE OF CONTENTS

TIMCO ENGINEERING INC.

849 NW State Road 45
Newberry, Florida 32669
<http://www.timcoengr.com>
888.472.2424 F 352.472.2030 email: sid@timcoengr.com

GENERAL INFORMATION REQUIRED FOR CERTIFICATION

2.1033(c)(1)(2) COBRA ELECTRONICS CORPORATION will manufacture the
FCCID: BBOLI4900 GMRS/FRS COMBINATION TRANSCEIVER in
quantity, for use under FCC RULES PART 95.

COBRA ELECTRONICS CORPORATION
6500 WEST CORTLAND STREET
CHICAGO IL 60707 USA

2.1033 (c) TECHNICAL DESCRIPTION

2.1033(c)(3) Instruction book. A draft copy of the instruction
manual is included in the exhibits.

2.1033(c) (4) Type of Emission: 10K5F3E
95.631

$B_n = 2M + 2DK$
 $M = 3000$
 $D = 2.25K$
 $B_n = 2(3000) + 2(2250) = 10.5K$

GMRS Authorized Bandwidth 20.0 kHz

2.1033(c)(5) GMRS Frequency Range:	1. 462.5500	13. 462.7000
95.621	2. 462.5625	14. 462.7125
	3. 462.5750	15. 462.7250
	4. 462.5875	16. 467.5500
	5. 462.6000	17. 467.5750
	6. 462.6125	18. 467.6000
	7. 462.6250	19. 467.6250
	8. 462.6375	20. 467.6500
	9. 462.6500	21. 467.6750
	10. 462.6625	22. 467.7000
	11. 462.6750	23. 467.7250
	12. 462.6875	

FRS Authorized Bandwidth 12.5kHz

2.1033(c)(5) FRS Frequency Range:	1. 462.5625	8. 467.5625
95.627	2. 462.5875	9. 467.5875
	3. 462.6125	10. 467.6125
	4. 462.6375	11. 467.6375
	5. 462.6625	12. 467.6625
	6. 462.6875	13. 467.6875
	7. 462.7125	14. 467.7125 MHz

APPLICANT: COBRA ELECTRONICS CORPORATION
FCC ID: BBOLI4900
REPORT #: C\COBRA\3328AUT6\3328AUT6TestReport.doc

TABLE OF CONTENTS

TIMCO ENGINEERING INC.

849 NW State Road 45

Newberry, Florida 32669

<http://www.timcoengr.com>

888.472.2424 F 352.472.2030 email: sid@timcoengr.com

2.1033(c)(6)(7) Power Output shall not exceed 0.50 Watts effective
95.639 radiated power. There can be no provisions for
95.649 increasing the power or varying the power.

2.1033(c)(8) DC Voltages and Current into Final Amplifier:

FOR LOW POWER SETTING INPUT POWER: (7.4V)(.400A) = 2.96 Watts

FOR HIGH POWER SETTING INPUT POWER: (7.4V)(.700A) = 5.18 Watts

2.1033(c)(9) Tune-up procedure. The tune-up procedure is included
in the exhibits.

2.1033(c)(10) Complete Circuit Diagrams: The circuit diagram and
block diagram are included in the exhibits.

2.1033(c)(11) A photograph or a drawing of the equipment
identification label is included in the exhibits.

2.1033(c)(12) Photographs(8"X10") of the equipment of sufficient
clarity to reveal equipment construction and layout,
including meters, labels for controls, including any
view under shields.

2.1033(c)(13) Digital modulation is not allowed.

2.1033(c)(14) The data required by 2.1046 through 2.1057 is
submitted below.

2.10311c)(6)(7) RF power is measured by the substitution method as
2.1046(a) outlined in TIA/EIA - 603. With a nominal battery
voltage of 7.4 V, and the transmitter properly
adjusted the RF output measures:

GMRS - 0.50 Watts ERP

FRS - 0.31 Watts ERP

APPLICANT: COBRA ELECTRONICS CORPORATION

FCC ID: BBOLI4900

REPORT #: C:\COBRA\3328AUT6\3328AUT6TestReport.doc

Page 2 of 13

TIMCO ENGINEERING INC.

849 NW State Road 45
Newberry, Florida 32669
<http://www.timcoengr.com>
888.472.2424 F 352.472.2030 email: sid@timcoengr.com

2.1047(a)(b) Modulation characteristics:

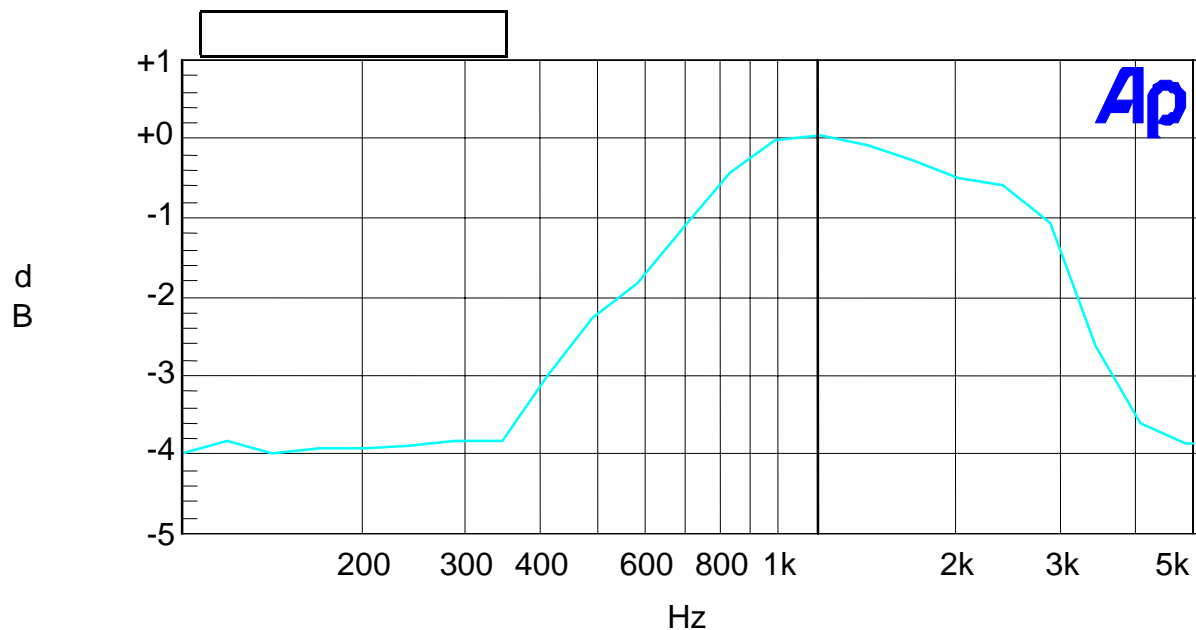
AUDIO FREQUENCY RESPONSE

The audio frequency response was measured in accordance with TIA/EIA Specification 603. The audio frequency response curve is shown on the next page. The audio signal was fed into a dummy microphone circuit and into the microphone connector. The input required to produce 30 percent modulation level was measured. See plot below.

AUDIO FREQUENCY RESPONSE PLOT

3328aut6 audio frequency response

12/11/06 09:34:13



Color	Line Style	Thick	Data	Axis	Cursor1
Cyan	Solid	1	Anlr.Level A!Normalize	Left	..

MaxFreq.at1

TIMCO ENGINEERING INC.

849 NW State Road 45

Newberry, Florida 32669

<http://www.timcoengr.com>

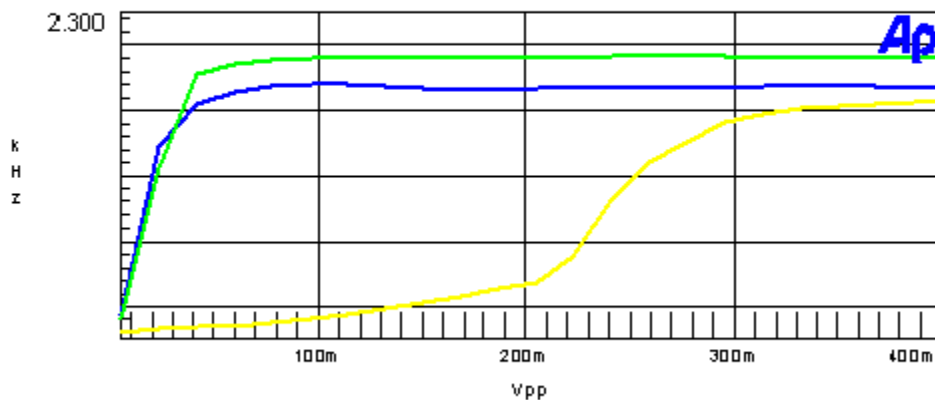
888.472.2424 F 352.472.2030 email: sid@timcoengr.com

2.1047(b) Audio input versus modulation

The audio input level needed for a particular percentage of modulation was measured in accordance with TIA/EIA Specification 603. The audio input curves versus modulation are on the following pages. Curves are provided for audio input frequencies of 300, 1000, and 2500 Hz. See the plot below.

MODULATION LIMITING GRAPH

Modulation Limiting Plots: max dev 3k
2.5 KHz (Green), 1.0 KHz (Blue), and 300 Hz (Yellow)



APPLICANT: COBRA ELECTRONICS CORPORATION

FCC ID: BBOLI4900

REPORT #: C:\COBRA\3328AUT6\3328AUT6TestReport.doc

Page 4 of 13

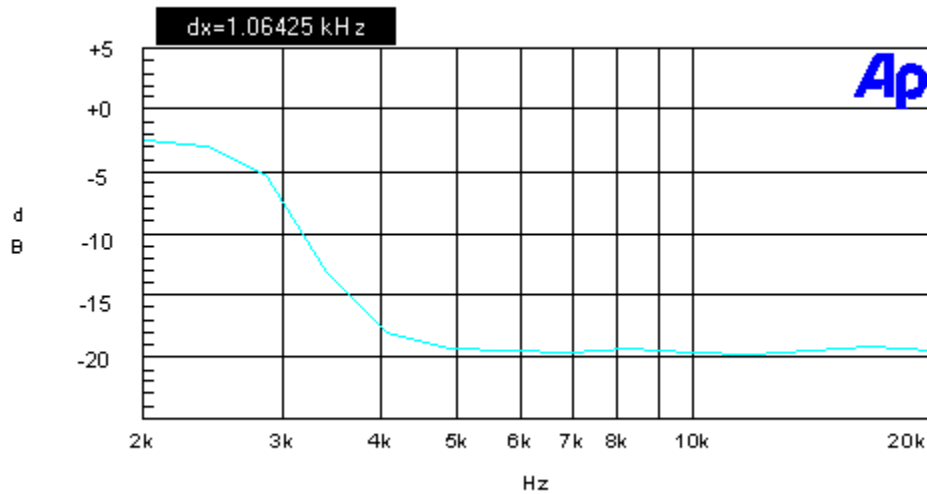
TIMCO ENGINEERING INC.

849 NW State Road 45
Newberry, Florida 32669
<http://www.timcoengr.com>
888.472.2424 F 352.472.2030 email: sid@timcoengr.com

95.637 Post Limiter Filter Each GMR5 transmitter, except a mobile station transmitter with a power of 2.5Watts or less, must be equipped with an audio low pass filter. At any frequency between 3 & 20 kHz the filter must have an attenuation of $60\log(f/3)$ greater than the attenuation at 1kHz. See below.

3328aut6 audio low pass

12/11/06 09:34:13



APPLICANT: COBRA ELECTRONICS CORPORATION

FCC ID: BBOLI4900

REPORT #: C:\COBRA\3328AUT6\3328AUT6TestReport.doc

Page 5 of 13

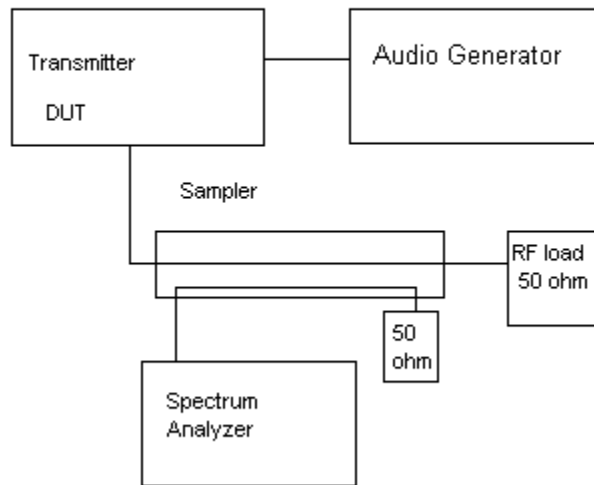
TIMCO ENGINEERING INC.

849 NW State Road 45
Newberry, Florida 32669
<http://www.timcoengr.com>
888.472.2424 F 352.472.2030 email: sid@timcoengr.com

2.1049 Occupied bandwidth:
95.635(b)(1)(3)(7)

At least 25dB on any frequency removed from the center of the authorized bandwidth by more than 50% up to and including 100% of the authorized bandwidth. At least 35 dB on any frequency removed from the center of the authorized BW by more than 100% up to and including 250% of the authorized BW. At least $43 + \log_{10}(TP)$ dB on any frequency removed from the center of the authorized bandwidth by more than 250%. See the following plot.

Occupied BW Test Equipment Setup



TIMCO ENGINEERING INC.

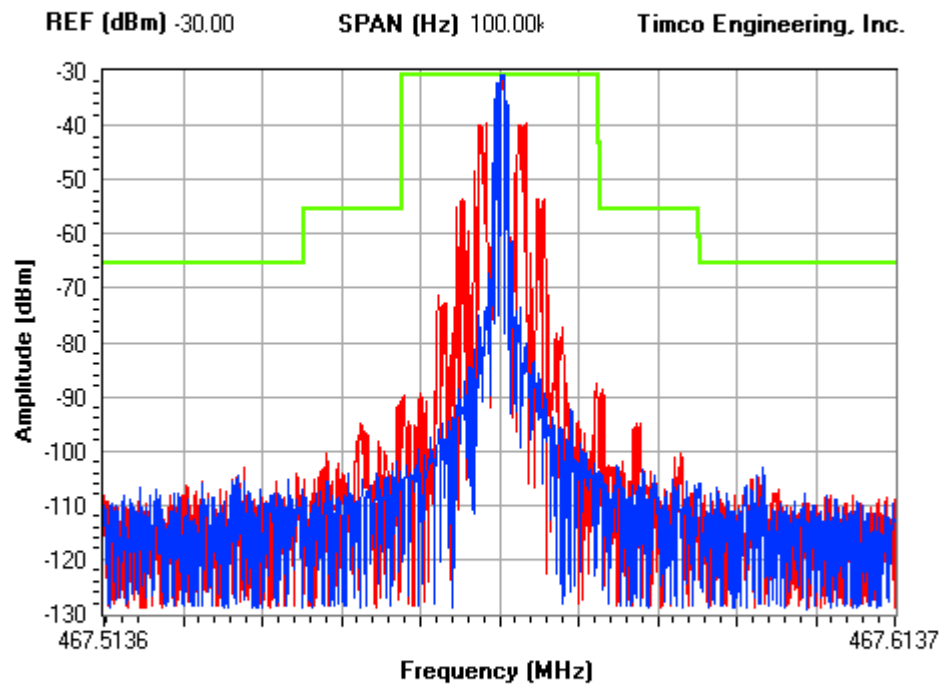
849 NW State Road 45
Newberry, Florida 32669
<http://www.timcoengr.com>
888.472.2424 F 352.472.2030 email: sid@timcoengr.com

OCCUPIED BANDWIDTH PLOT

NOTES:

3328aut6 occupied bandwidth

FCC 95.635 Mask (1) (3) (7)



RBW **VBW** **ST (sec)**
300 Hz 100 kHz 2

Center Frequency (Hz) 467.564M

Marker Delta (Hz) 0.00

Peak	467.564	-30.60	<input type="checkbox"/>	<input type="checkbox"/>	<input type="checkbox"/>
MKR2	0.000	0.00	<input type="checkbox"/>	<input type="checkbox"/>	<input type="checkbox"/>
MKR3	0.000	0.00	<input type="checkbox"/>	<input type="checkbox"/>	<input type="checkbox"/>
HwMK	23.076	6.27	<input type="checkbox"/>	<input type="checkbox"/>	<input type="checkbox"/>

TIMCO ENGINEERING INC.

849 NW State Road 45
Newberry, Florida 32669
<http://www.timcoengr.com>
888.472.2424 F 352.472.2030 email: sid@timcoengr.com

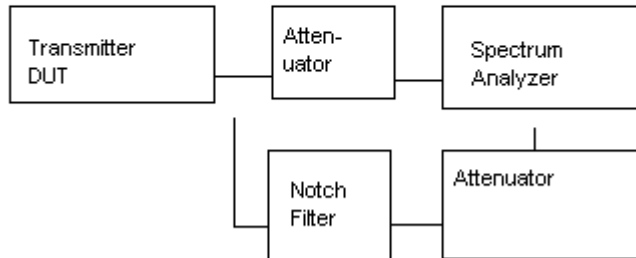
2.1051 Spurious emissions at antenna terminals(conducted):
The following data shows the level of conducted spurious responses at the antenna terminal. The test procedure used was TIA/EIA 603 S2.2.13 with the exception that the emissions were recorded in dBc. The spectrum was scanned from 0.4 to at least the 10th harmonic of the fundamental.

NAME OF TEST: SPURIOUS EMISSIONS AT ANTENNA TERMINALS

2.1051 Not Applicable, no antenna terminal allowed.

Method of Measuring Conducted Spurious Emissions

Spurious Emissions at
Antenna Terminals



TIMCO ENGINEERING INC.

849 NW State Road 45
Newberry, Florida 32669
<http://www.timcoengr.com>
888.472.2424 F 352.472.2030 email: sid@timcoengr.com

2.1053
95.635(b)(7)

UNWANTED RADIATION:

The tabulated Data shows the results of the radiated field strength emissions test. The spectrum was scanned from 30 MHz to at least the 10th harmonic of the fundamental. This test was conducted per TIA-603.

REQUIREMENTS: GMRS: $43 + 10\log(0.5) = 40$ dB

TEST DATA (GMRS):

Emission Frequency MHz	Ant. Polarity	dB Below Carrier (dBc)
462.70	V	0.00
925.50	H	58.70
1388.20	V	71.06
1851.00	V	57.60
2313.70	V	71.71
2776.50	H	82.26
3239.20	V	78.87
3702.00	H	87.27
4164.70	V	82.91

METHOD OF MEASUREMENT: The tabulated data shows the results of the radiated field strength emissions test. The spectrum was scanned from 30 MHz to at least the tenth harmonic of the fundamental. This test was conducted per TIA/EIA STANDARD 603 using the substitution method. Measurements were made at the open field test site of TIMCO ENGINEERING, INC. located at 849 NW State Road 45, Newberry, FL 32669.

APPLICANT: COBRA ELECTRONICS CORPORATION

FCC ID: BBOLI4900

REPORT #: C:\COBRA\3328AUT6\3328AUT6TestReport.doc

TIMCO ENGINEERING INC.

849 NW State Road 45
Newberry, Florida 32669
<http://www.timcoengr.com>
888.472.2424 F 352.472.2030 email: sid@timcoengr.com

2.1053
95.635(b)(7)

UNWANTED RADIATION:

The tabulated Data shows the results of the radiated field strength emissions test. The spectrum was scanned from 30 MHz to at least the 10th harmonic of the fundamental. This test was conducted per TIA-603

REQUIREMENTS: FRS: $43 + 10\log(.31) = 38$ dB

Emission Frequency MHz	Ant. Polarity	dB Below Carrier (dBc)
467.56	V	0
935.13	H	58.00
1402.69	V	56.96
1870.25	V	50.30
2337.81	H	70.71
2805.38	H	76.86
3272.94	V	72.97
3740.50	V	79.67
4208.06	V	81.61
4675.63	H	80.56

METHOD OF MEASUREMENT: The tabulated data shows the results of the radiated field strength emissions test. The spectrum was scanned from 30 MHz to at least the tenth harmonic of the fundamental. This test was conducted per TIA/EIA STANDARD 603 using the substitution method. Measurements were made at the open field test site of TIMCO ENGINEERING, INC. located at 849 NW State Road 45, Newberry, FL 32669.

TIMCO ENGINEERING INC.

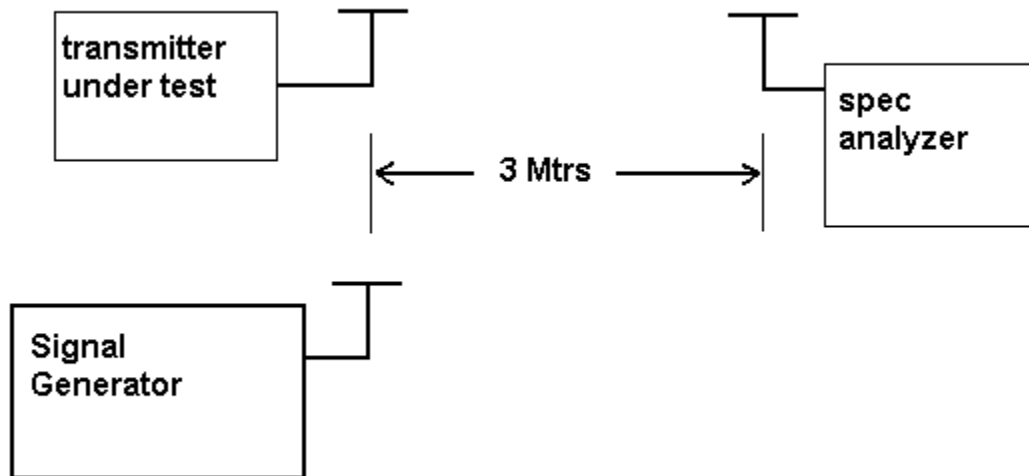
849 NW State Road 45

Newberry, Florida 32669

<http://www.timcoengr.com>

888.472.2424 F 352.472.2030 email: sid@timcoengr.com

Method of Measuring Radiated Spurious Emissions



Equipment placed 80 cm above ground
on a rotatable platform.

* Appropriate antenna raised from 1 to 4 M.

APPLICANT: COBRA ELECTRONICS CORPORATION

FCC ID: BBOLI4900

REPORT #: C:\COBRA\3328AUT6\3328AUT6TestReport.doc

Page 11 of 13

TIMCO ENGINEERING INC.

849 NW State Road 45
Newberry, Florida 32669
<http://www.timcoengr.com>
888.472.2424 F 352.472.2030 email: sid@timcoengr.com

2.1055 Frequency stability:
95.621(b)

Temperature and voltage tests were performed to verify that the frequency remains within the 0.0005%, 5 ppm specification limit. The test was conducted as follows: The transmitter was placed in the temperature chamber at 25° C and allowed to stabilize for one hour. The transmitter was keyed ON for one minute during which four frequency readings were recorded at 15 second intervals. The worse case number was taken for temperature plotting. The assigned channel frequency was considered to be the reference frequency. The temperature was then reduced to -30° C after which the transmitter was again allowed to stabilize for one hour. The transmitter was keyed ON for one minute, and again frequency readings were noted at 15 second intervals. The worst case number was recorded for temperature plotting. This procedure was repeated in 10 degree increments up to + 50° C.

Readings were also taken at plus and minus 15% of the battery voltage of 7.4VDC.

MEASUREMENT DATA:

	Ref. Freq.	462.725494	
	Data		PPM
-30C	462.724821		-1.45
-20C	462.724831		-1.43
-10C	462.724861		-1.37
0C	462.725038		-0.99
10C	462.725552		0.13
20C	462.725526		0.07
30C	462.725459		-0.08
40C	462.725457		-0.08
50C	462.725697		0.44
Batt. Volts	Batt. Data		Batt. PPM
-15%	462.725496		0.00
+15%	462.725476		-0.04

Note: This EUT meets the frequency stability requirement for a FRS: +/- 2.5ppm over temp range of -20 degrees C to +50 degrees C. It also meets the GMRS frequency stability requirements: +/- 5ppm over the temp range -30 degrees C to +50 degrees C.

TIMCO ENGINEERING INC.

849 NW State Road 45
Newberry, Florida 32669
<http://www.timcoengr.com>
888.472.2424 F 352.472.2030 email: sid@timcoengr.com

EMC Equipment List

Device	Manufacturer	Model	Serial Number	Cal/Char Date	Due Date
3/10-Meter OATS	TEI	N/A	N/A	Listed 3/27/04	3/26/07
3-Meter OATS	TEI	N/A	N/A	Listed 1/11/06	1/10/09
Antenna: Biconnical	Eaton	94455-1	1057	CAL 12/12/05	12/12/07
Antenna: Biconnical	Eaton	94455-1	1096	CAL 10/11/06	10/11/08
Antenna: Biconnical	Electro-Metrics	BIA-25	1171	CAL 4/29/05	4/29/07
Analyzer Blue Tower Quasi-Peak Adapter	HP	85650A	2811A01279	CAL 4/13/05	4/13/07
Analyzer Blue Tower RF Preselector	HP	85685A	2926A00983	CAL 9/5/05	9/5/07
Analyzer Blue Tower Spectrum Analyzer	HP	8568B	2928A04729 2848A18049	CAL 4/13/05	4/13/07
LISN	Electro-Metrics	ANS-25/2	2604	CAL 10/5/06	10/5/08
LISN	Electro-Metrics	EM-7820	2682	CAL 4/28/05	4/28/07
Antenna: Log-Periodic	Eaton	96005	1243	CAL 12/14/05	12/14/07

APPLICANT: COBRA ELECTRONICS CORPORATION

FCC ID: BBOLI4900

REPORT #: C:\COBRA\3328AUT6\3328AUT6TestReport.doc