

# TIMCO ENGINEERING INC.

849 NW State Road 45

Newberry, Florida 32669

<http://www.timcoengr.com>

888.472.2424 F 352.472.2030 email: [sid@timcoengr.com](mailto:sid@timcoengr.com)



## Test Report

Product Name: GMRS/ FRS TRANSCEIVER

FCC ID: BBOLI3900

Applicant:

**COBRA ELECTRONICS CORPORATION  
6500 WEST CORTLAND STREET  
CHICAGO IL 60707**

APPLICANT: COBRA ELECTRONICS CORPORATION  
FCC ID: BBOLI3900  
REPORT #: C\COBRA\2356AUT5\2356AUT5TestReport.doc

COVER SHEET

# TIMCO ENGINEERING INC.

849 NW State Road 45  
Newberry, Florida 32669  
<http://www.timcoengr.com>  
888.472.2424 F 352.472.2030 email: [sid@timcoengr.com](mailto:sid@timcoengr.com)

## TABLE OF CONTENTS LIST

### TEST REPORT:

PAGE 1.....	GENERAL INFORMATION & TECHNICAL DESCRIPTION
PAGE 2.....	TECHNICAL DESCRIPTION CONTINUED RF POWER OUTPUT
PAGE 3.....	MODULATION CHARACTERISTICS AUDIO FREQUENCY RESPONSE GRAPH
PAGE 4.....	MODULATION LIMITING GRAPH
PAGE 5.....	AUDIO LOW PASS FILTER GRAPH
PAGE 6.....	OCCUPIED BANDWIDTH
PAGE 7.....	OCCUPIED BANDWIDTH PLOT
PAGE 8.....	SPURIOUS EMISSIONS AT ANTENNA TERMINALS
PAGE 9.....	UNWANTED RADIATION - GMRS
PAGE 10.....	UNWANTED RADIATION - FRS
PAGE 11.....	METHOD OF MEASURING RADIATED SPURIOUS EMISSIONS
PAGE 12.....	FREQUENCY STABILITY
PAGE 13.....	LIST OF TEST EQUIPMENT

### EXHIBITS INCLUDED:

SAR TEST REPORT  
BLOCK DIAGRAM  
SCHEMATICS  
PARTS LIST  
USERS MANUAL  
LABEL SAMPLE  
LABEL LOCATION  
EXTERNAL PHOTOGRAPHS  
INTERNAL PHOTOGRAPHS  
ALIGNMENT PROCEDURE  
OPERATIONAL DESCRIPTION  
TEST SET UP PHOTOGRAPHS

APPLICANT: COBRA ELECTRONICS CORPORATION  
FCC ID: BBOLI3900  
REPORT #: C\COBRA\2356AUT5\2356AUT5TestReport.doc

TABLE OF CONTENTS

# TIMCO ENGINEERING INC.

849 NW State Road 45  
Newberry, Florida 32669  
<http://www.timcoengr.com>  
888.472.2424 F 352.472.2030 email: [sid@timcoengr.com](mailto:sid@timcoengr.com)

## GENERAL INFORMATION REQUIRED FOR CERTIFICATION

2.1033(c)(1)(2) COBRA ELECTRONICS CORPORATION will manufacture the  
FCCID: BBOLI3900  
GMRS/FRS COMBINATION TRANSCEIVER in quantity,  
for use under FCC RULES PART 95.

COBRA ELECTRONICS CORPORATION  
6500 WEST CORTLAND STREET  
CHICAGO IL 60707

2.1033 (c) TECHNICAL DESCRIPTION

2.1033(c)(3) Instruction book. A draft copy of the instruction  
manual is included is included in the exhibits.

2.1033(c) (4) Type of Emission: 10K5F3E  
95.631

Bn = 2M + 2DK  
M = 3000  
D = 1.75K  
Bn = 2(3000)+2(2250) = 10.5K

GMRS Authorized Bandwidth 20.0 kHz

2.1033(c)(5) GMRS Frequency Range: 1. 462.5500 13. 462.7000  
95.621 2. 462.5625 14. 462.7125  
3. 462.5750 15. 462.7250  
4. 462.5875 16. 467.5500  
5. 462.6000 17. 467.5750  
6. 462.6125 18. 467.6000  
7. 462.6250 19. 467.6250  
8. 462.6375 20. 467.6500  
9. 462.6500 21. 467.6750  
10. 462.6625 22. 467.7000  
11. 462.6750 23. 467.7250  
12. 462.6875

FRS Authorized Bandwidth 12.5KHz

2.1033(c)(5) FRS Frequency Range: 1. 462.5625 8. 467.5625  
95.627 2. 462.5875 9. 467.5875  
3. 462.6125 10. 467.6125  
4. 462.6375 11. 467.6375  
5. 462.6625 12. 467.6625  
6. 462.6875 13. 467.6875  
7. 462.7125 14. 467.7125 MHz

2.1033(c)(6)(7) Power Output shall not exceed 0.50 Watts effective  
95.639 radiated power. There can be no provisions for  
95.649 increasing the power or varying the power.

APPLICANT: COBRA ELECTRONICS CORPORATION  
FCC ID: BBOLI3900  
REPORT #: C\COBRA\2356AUT5\2356AUT5TestReport.doc

# TIMCO ENGINEERING INC.

849 NW State Road 45

Newberry, Florida 32669

<http://www.timcoengr.com>

888.472.2424 F 352.472.2030 email: [sid@timcoengr.com](mailto:sid@timcoengr.com)

2.1033(c)(8) DC Voltages and Current into Final Amplifier:  
FINAL AMPLIFIER ONLY

FOR LOW POWER SETTING INPUT POWER:  $(7.4V)(.25A) = 1.85$  Watts  
FOR HIGH POWER SETTING INPUT POWER:  $(7.4V)(.32A) = 2.36$  Watts

2.1033(c)(9) Tune-up procedure. The tune-up procedure is included in the exhibits.

2.1033(c)(10) Complete Circuit Diagrams: The circuit diagram and block diagram are included in the exhibits.

2.1033(c)(11) A photograph or a drawing of the equipment identification label is included in the exhibits.

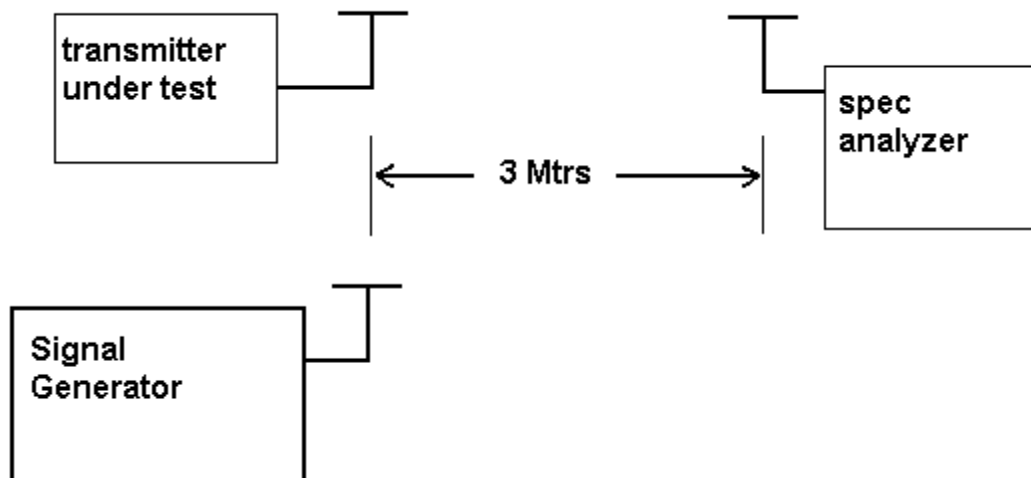
2.1033(c)(12) Photographs(8"X10") of the equipment of sufficient clarity to reveal equipment construction and layout, including meters, labels for controls, including any view under shields.

2.1033(c)(13) Digital modulation is not allowed.

2.1033(c)(14) The data required by 2.1046 through 2.1057 is submitted below.

2.10311c)(6)(7) RF power is measured by the substitution method as outlined in TIA/EIA - 603. With a nominal battery voltage of 7.4 V, and the transmitter properly adjusted the RF output measures:

GMRS - 0.492 Watts  
FRS - 0.120 Watts



APPLICANT: COBRA ELECTRONICS CORPORATION

FCC ID: BBOLI3900

REPORT #: C\COBRA\2356AUT5\2356AUT5TestReport.doc

# TIMCO ENGINEERING INC.

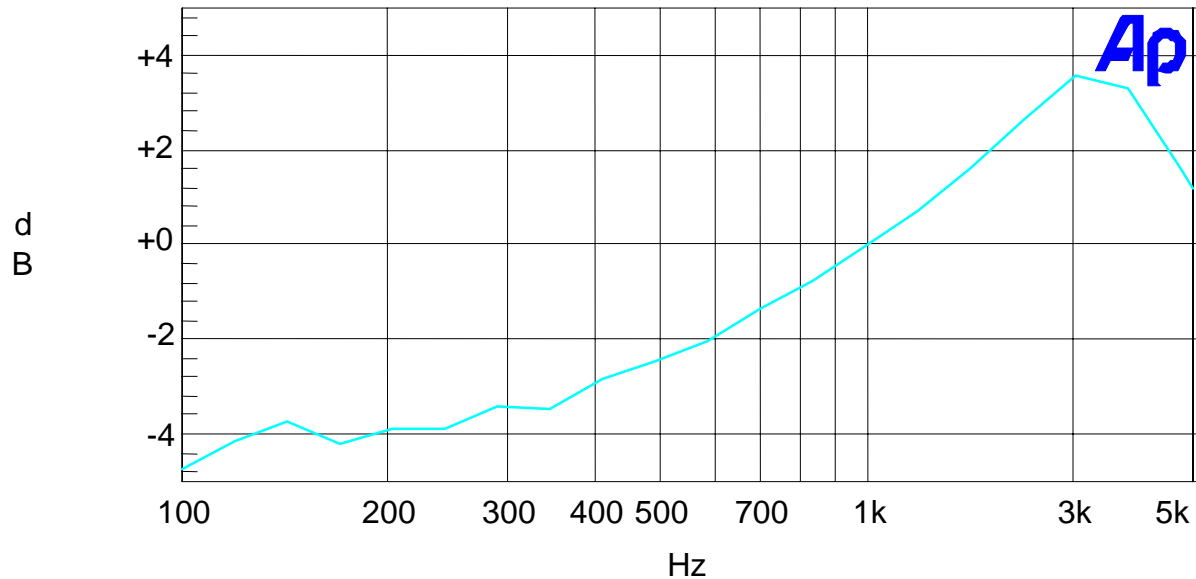
849 NW State Road 45  
Newberry, Florida 32669  
<http://www.timcoengr.com>  
888.472.2424 F 352.472.2030 email: [sid@timcoengr.com](mailto:sid@timcoengr.com)

2.1047(a)(b) Modulation characteristics:

## AUDIO FREQUENCY RESPONSE

The audio frequency response was measured in accordance with TIA/EIA Specification 603. The audio frequency response curve is shown on the next page. The audio signal was fed into a dummy microphone circuit and into the microphone connector. The input required to produce 30 percent modulation level was measured. See plot below.

## Audio Frequency Response Plot



Color	Line Style	Thick	Data	Axis
Cyan	Solid	1	Anlr.Level A!Normalize	Left

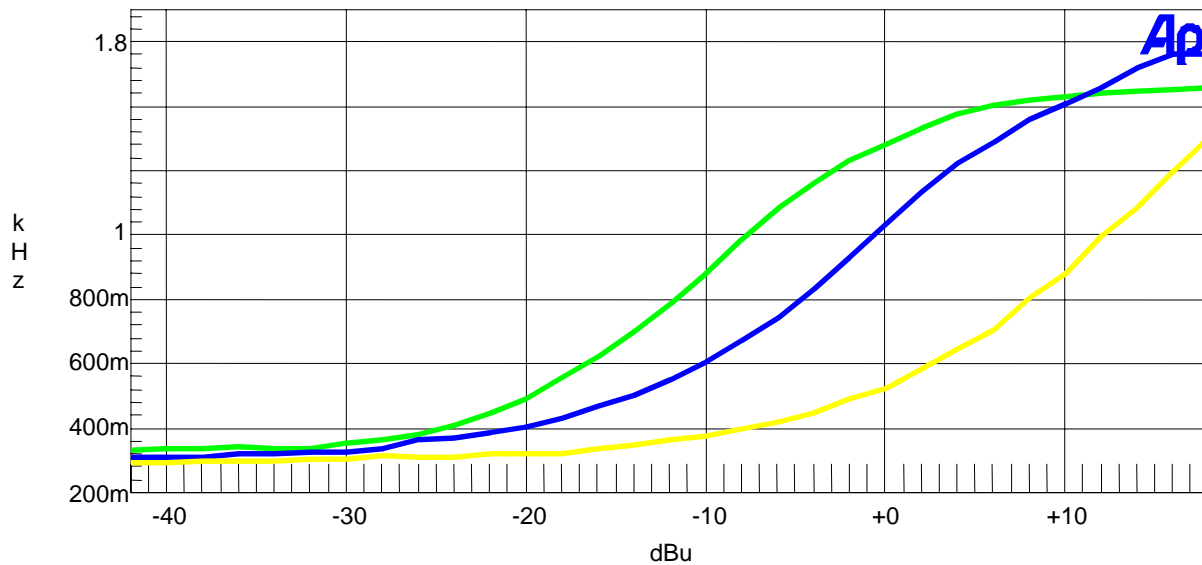
MaxFreq.at1

# TIMCO ENGINEERING INC.

849 NW State Road 45  
 Newberry, Florida 32669  
 http://www.timcoengr.com  
 888.472.2424 F 352.472.2030 email: [sid@timcoengr.com](mailto:sid@timcoengr.com)

2.1047(b) Audio input versus modulation  
 The audio input level needed for a particular percentage of modulation was measured in accordance with TIA/EIA Specification 603. The audio input curves versus modulation are on the following pages. Curves are provided for audio input frequencies of 300, 1000, and 2500 Hz. See the plot below.

Modulation Limiting Plots:  
 2.5KHz (Green), 1.0KHz (Blue), and 300Hz (Yellow)



Color	Line Style	Thick	Data	Axis
Green	Solid	3	Anlr.Level A	Left
Blue	Solid	3	Anlr.Level A	Left
Yellow	Solid	3	Anlr.Level A	Left

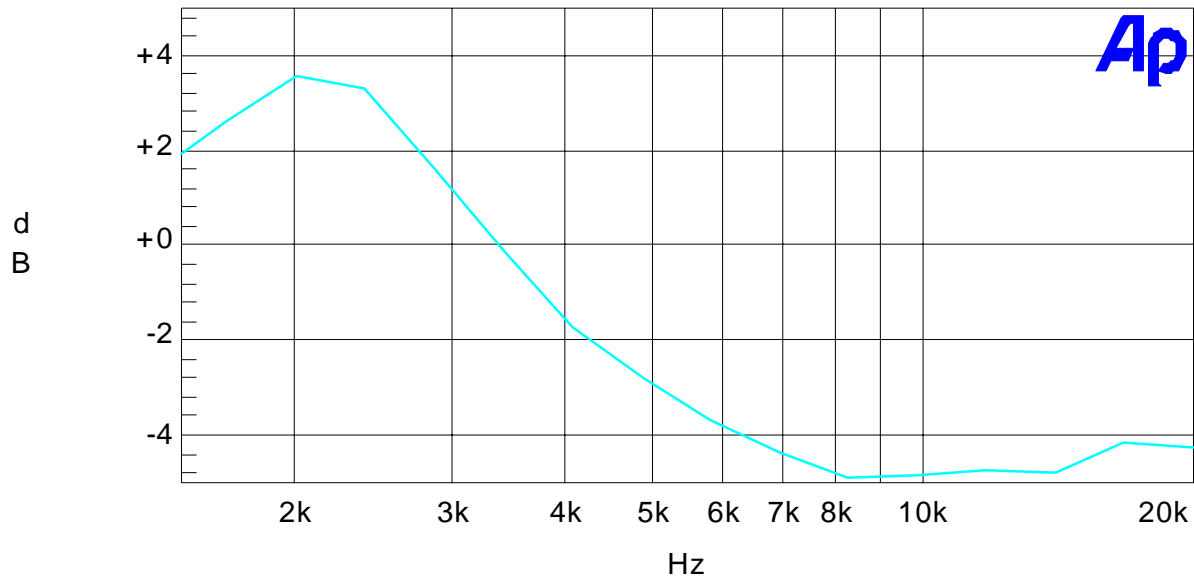
modulation limiting.at1

# TIMCO ENGINEERING INC.

849 NW State Road 45  
 Newberry, Florida 32669  
<http://www.timcoengr.com>  
 888.472.2424 F 352.472.2030 email: [sid@timcoengr.com](mailto:sid@timcoengr.com)

95.637 Post Limiter Filter Each GMRs transmitter, except a mobile station transmitter with a power of 2.5Watts or less, must be equipped with an audio low pass filter. At any frequency between 3 & 20 kHz the filter must have an attenuation of  $60\log(f/3)$  greater than the attenuation at 1KHz. See below.

## Audio Low Pass Filter



Color	Line Style	Thick	Data	Axis
Cyan	Solid	1	Anlr.Level A!Normalize	Left

MaxFreq.at1

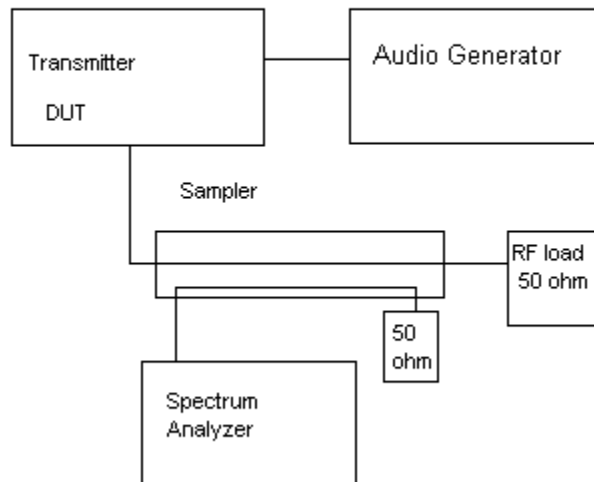
# TIMCO ENGINEERING INC.

849 NW State Road 45  
Newberry, Florida 32669  
<http://www.timcoengr.com>  
888.472.2424 F 352.472.2030 email: [sid@timcoengr.com](mailto:sid@timcoengr.com)

2.1049 Occupied bandwidth:  
95.635(b)(1)(3)(7)

At least 25dB on any frequency removed from the center of the authorized bandwidth by more than 50% up to and including 100% of the authorized bandwidth. At least 35 dB on any frequency removed from the center of the authorized BW by more than 100% up to and including 250% of the authorized BW. At least  $43 + \log_{10}(TP)$  dB on any frequency removed from the center of the authorized bandwidth by more than 250%. See the following plot.

Occupied BW Test Equipment Setup





# TIMCO ENGINEERING INC.

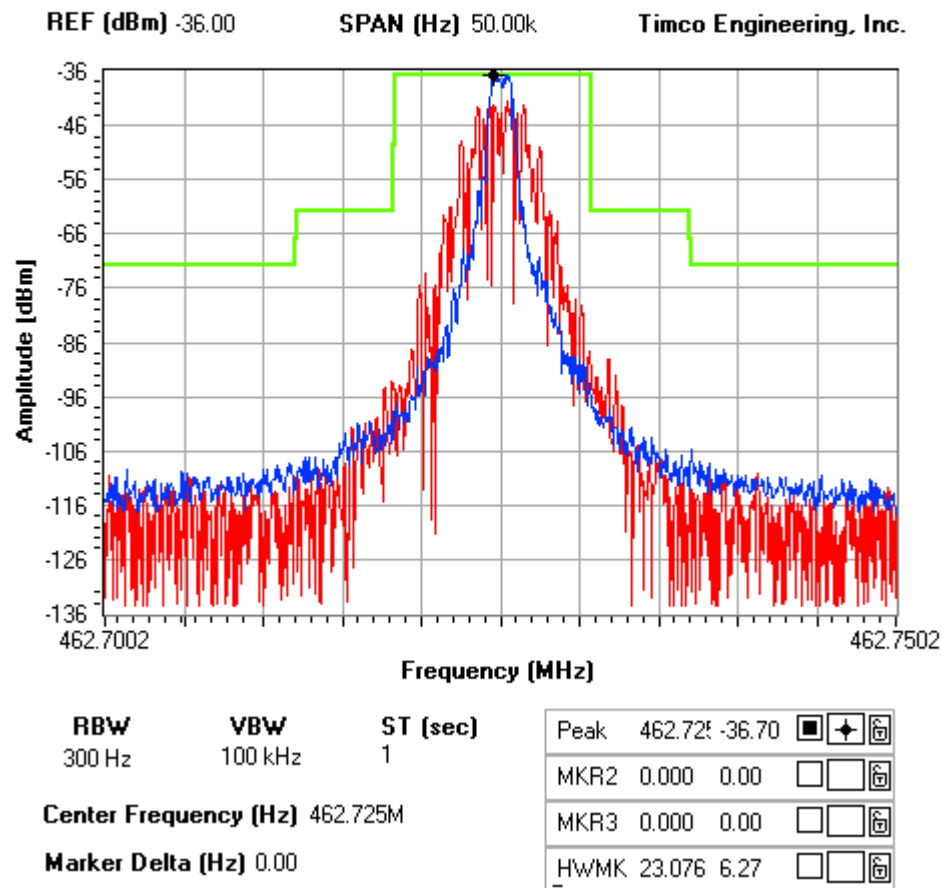
849 NW State Road 45  
 Newberry, Florida 32669  
 http://www.timcoengr.com  
 888.472.2424 F 352.472.2030 email: [sid@timcoengr.com](mailto:sid@timcoengr.com)

## OCCUPIED BANDWIDTH PLOT

### NOTES:

COBRA ELECTRONICS CORPORATION - FCC ID: BBOLI3900  
 OCCUPIED BANDWIDTH PLOT

### FCC 95.635 Mask (1) (3) (7)



APPLICANT: COBRA ELECTRONICS CORPORATION  
 FCC ID: BBOLI3900  
 REPORT #: C\COBRA\2356AUT5\2356AUT5TestReport.doc

# TIMCO ENGINEERING INC.

849 NW State Road 45  
Newberry, Florida 32669  
<http://www.timcoengr.com>  
888.472.2424 F 352.472.2030 email: [sid@timcoengr.com](mailto:sid@timcoengr.com)

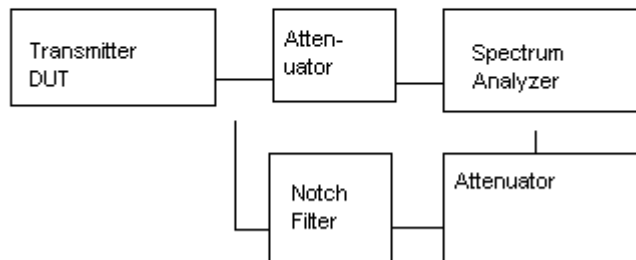
2.1051 Spurious emissions at antenna terminals(conducted):  
The following data shows the level of conducted spurious responses at the antenna terminal. The test procedure used was TIA/EIA 603 S2.2.13 with the exception that the emissions were recorded in dBc. The spectrum was scanned from 0.4 to at least the 10th harmonic of the fundamental.

NAME OF TEST: SPURIOUS EMISSIONS AT ANTENNA TERMINALS

2.1051 Not Applicable, no antenna terminal allowed.

## Method of Measuring Conducted Spurious Emissions

Spurious Emissions at  
Antenna Terminals



# TIMCO ENGINEERING INC.

849 NW State Road 45  
Newberry, Florida 32669  
<http://www.timcoengr.com>  
888.472.2424 F 352.472.2030 email: [sid@timcoengr.com](mailto:sid@timcoengr.com)

2.1053  
95.635(b)(7)

## UNWANTED RADIATION:

The tabulated Data shows the results of the radiated field strength emissions test. The spectrum was scanned from 30 MHz to at least the 10th harmonic of the fundamental. This test was conducted per ANSI C63.4-2003.

REQUIREMENTS: GMRS:  $43 + 10\log(.492) = 39.92$  dB

## TEST DATA (GMRS):

<b>Emission Frequency MHz</b>	<b>Ant. Polarity</b>	<b>dB Below Carrier (dBc)</b>
<b>462.73</b>	<b>V</b>	<b>0.00</b>
<b>925.45</b>	<b>V</b>	<b>65.07</b>
<b>1388.18</b>	<b>V</b>	<b>60.62</b>
<b>1850.90</b>	<b>V</b>	<b>53.96</b>
<b>2313.63</b>	<b>V</b>	<b>73.12</b>
<b>2776.35</b>	<b>H</b>	<b>76.25</b>
<b>3239.08</b>	<b>V</b>	<b>68.73</b>
<b>3701.80</b>	<b>V</b>	<b>66.97</b>
<b>4164.53</b>	<b>V</b>	<b>71.06</b>
<b>4627.25</b>	<b>V</b>	<b>73.92</b>

# TIMCO ENGINEERING INC.

849 NW State Road 45  
Newberry, Florida 32669  
<http://www.timcoengr.com>  
888.472.2424 F 352.472.2030 email: [sid@timcoengr.com](mailto:sid@timcoengr.com)

2.1053  
95.635(b)(7)

## UNWANTED RADIATION:

The tabulated Data shows the results of the radiated field strength emissions test. The spectrum was scanned from 30 MHz to at least the 10th harmonic of the fundamental. This test was conducted per ANSI C63.4-2003.

REQUIREMENTS: FRS:  $43 + 10\log(.120) = 33.79$  dB

<b>Emission Frequency MHz</b>	<b>Ant. Polarity</b>	<b>dB Below Carrier (dBc)</b>
<b>467.56</b>	<b>V</b>	<b>0</b>
<b>935.13</b>	<b>V</b>	<b>67.15</b>
<b>1402.69</b>	<b>V</b>	<b>64.02</b>
<b>1870.25</b>	<b>V</b>	<b>50.71</b>
<b>2337.81</b>	<b>H</b>	<b>63</b>
<b>2805.38</b>	<b>V</b>	<b>57.69</b>
<b>3272.94</b>	<b>H</b>	<b>71.77</b>
<b>3740.50</b>	<b>V</b>	<b>70.33</b>
<b>4208.06</b>	<b>H</b>	<b>74.45</b>
<b>4675.63</b>	<b>V</b>	<b>75.94</b>

METHOD OF MEASUREMENT: The tabulated data shows the results of the radiated field strength emissions test. The spectrum was scanned from 30 MHz to at least the tenth harmonic of the fundamental. This test was conducted per TIA/EIA STANDARD 603 using the substitution method. Measurements were made at the open field test site of TIMCO ENGINEERING, INC. located at 849 NW State Road 45, Newberry, FL 32669.

APPLICANT: COBRA ELECTRONICS CORPORATION  
FCC ID: BBOLI3900  
REPORT #: C\COBRA\2356AUT5\2356AUT5TestReport.doc

# TIMCO ENGINEERING INC.

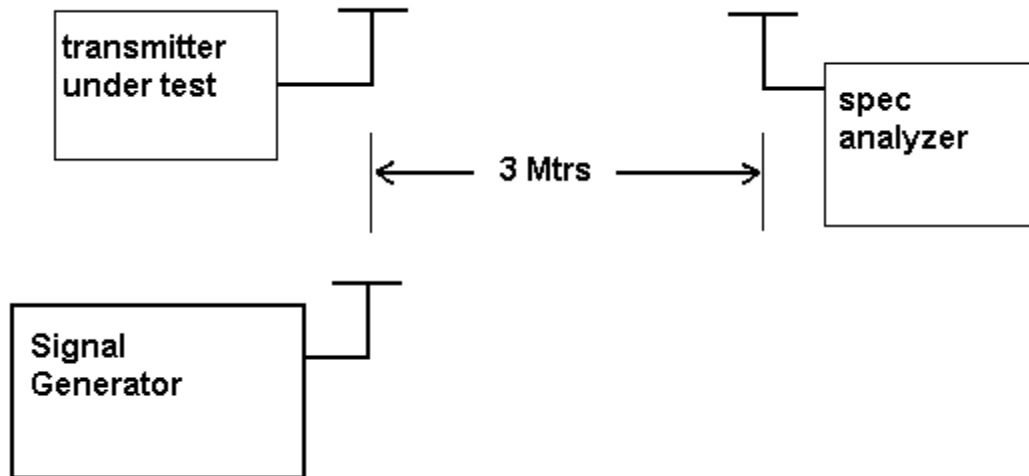
849 NW State Road 45

Newberry, Florida 32669

<http://www.timcoengr.com>

888.472.2424 F 352.472.2030 email: [sid@timcoengr.com](mailto:sid@timcoengr.com)

## Method of Measuring Radiated Spurious Emissions



Equipment placed 80 cm above ground  
on a rotatable platform.

\* Appropriate antenna raised from 1 to 4 M.

APPLICANT: COBRA ELECTRONICS CORPORATION

FCC ID: BBOLI3900

REPORT #: C\COBRA\2356AUT5\2356AUT5TestReport.doc

# TIMCO ENGINEERING INC.

849 NW State Road 45  
Newberry, Florida 32669  
<http://www.timcoengr.com>  
888.472.2424 F 352.472.2030 email: [sid@timcoengr.com](mailto:sid@timcoengr.com)

2.1055 Frequency stability:  
95.621(b)

Temperature and voltage tests were performed to verify that the frequency remains within the 0.0005%, 5 ppm specification limit. The test was conducted as follows: The transmitter was placed in the temperature chamber at 25° C and allowed to stabilize for one hour. The transmitter was keyed ON for one minute during which four frequency readings were recorded at 15 second intervals. The worse case number was taken for temperature plotting. The assigned channel frequency was considered to be the reference frequency. The temperature was then reduced to -30° C after which the transmitter was again allowed to stabilize for one hour. The transmitter was keyed ON for one minute, and again frequency readings were noted at 15 second intervals. The worst case number was recorded for temperature plotting. This procedure was repeated in 10 degree increments up to + 50° C.

Readings were also taken at plus and minus 15% of the battery voltage of 7.4 VDC.

## MEASUREMENT DATA:

	Ref. Freq.	462.725003
TEMPERATURE °C	FREQUENCY MHz	PPM
-30C	462.724252	-1.62
-20C	462.724691	-0.67
-10C	462.724841	-0.35
0C	462.725076	0.16
10C	462.725229	0.49
20C	462.725003	0.00
30C	462.724759	-0.53
40C	462.724844	-0.34
50C	462.725368	0.79
Batt. Volts	FREQUENCY	PPM
-15%	462.724992	-0.02
+15%	462.725020	0.04

Note: This EUT meets the frequency stability requirement for a FRS: +/- 2.5ppm over temp range of -20 degrees C to +50 degrees C. It also meets the GMRs frequency stability requirements: +/- 5ppm over the temp range -30 degrees C to +50 degrees C.

APPLICANT: COBRA ELECTRONICS CORPORATION  
FCC ID: BBOLI3900  
REPORT #: C\COBRA\2356AUT5\2356AUT5TestReport.doc

# TIMCO ENGINEERING INC.

849 NW State Road 45

Newberry, Florida 32669

<http://www.timcoengr.com>

888.472.2424 F 352.472.2030 email: [sid@timcoengr.com](mailto:sid@timcoengr.com)

## EMC Equipment List

Device	Manufacturer	Model	Serial Number	Cal/Char Date	Due Date
3/10-Meter OATS	TEI	N/A	N/A	Listed 3/27/04	3/26/07
3-Meter OATS	TEI	N/A	N/A	Listed 1/13/03	1/12/06
Biconnical Antenna	Eaton	94455-1	1057	CAL 12/12/05	12/12/07
Biconnical Antenna	Eaton	94455-1	1096	CAL 8/17/04	8/17/06
Biconnical Antenna	Electro- Metrics	BIA-25	1171	CAL 4/29/05	4/29/07
Blue Tower Quasi-Peak Adapter	HP	85650A	2811A01279	CAL 4/13/05	4/13/07
Blue Tower RF Preselector	HP	85685A	2926A00983	CAL 8/3/05	8/3/07
Blue Tower Spectrum Analyzer	HP	8568B	2928A04729 2848A18049	CAL 4/13/05	4/13/07
LISN	Electro- Metrics	ANS-25/2	2604	CAL 8/27/04	8/27/06
LISN	Electro- Metrics	EM-7820	2682	CAL 4/28/05	4/28/07
Log- Periodic Antenna	Eaton	96005	1243	CAL 12/14/05	12/14/07

APPLICANT: COBRA ELECTRONICS CORPORATION

FCC ID: BBOLI3900

REPORT #: C\COBRA\2356AUT5\2356AUT5TestReport.doc