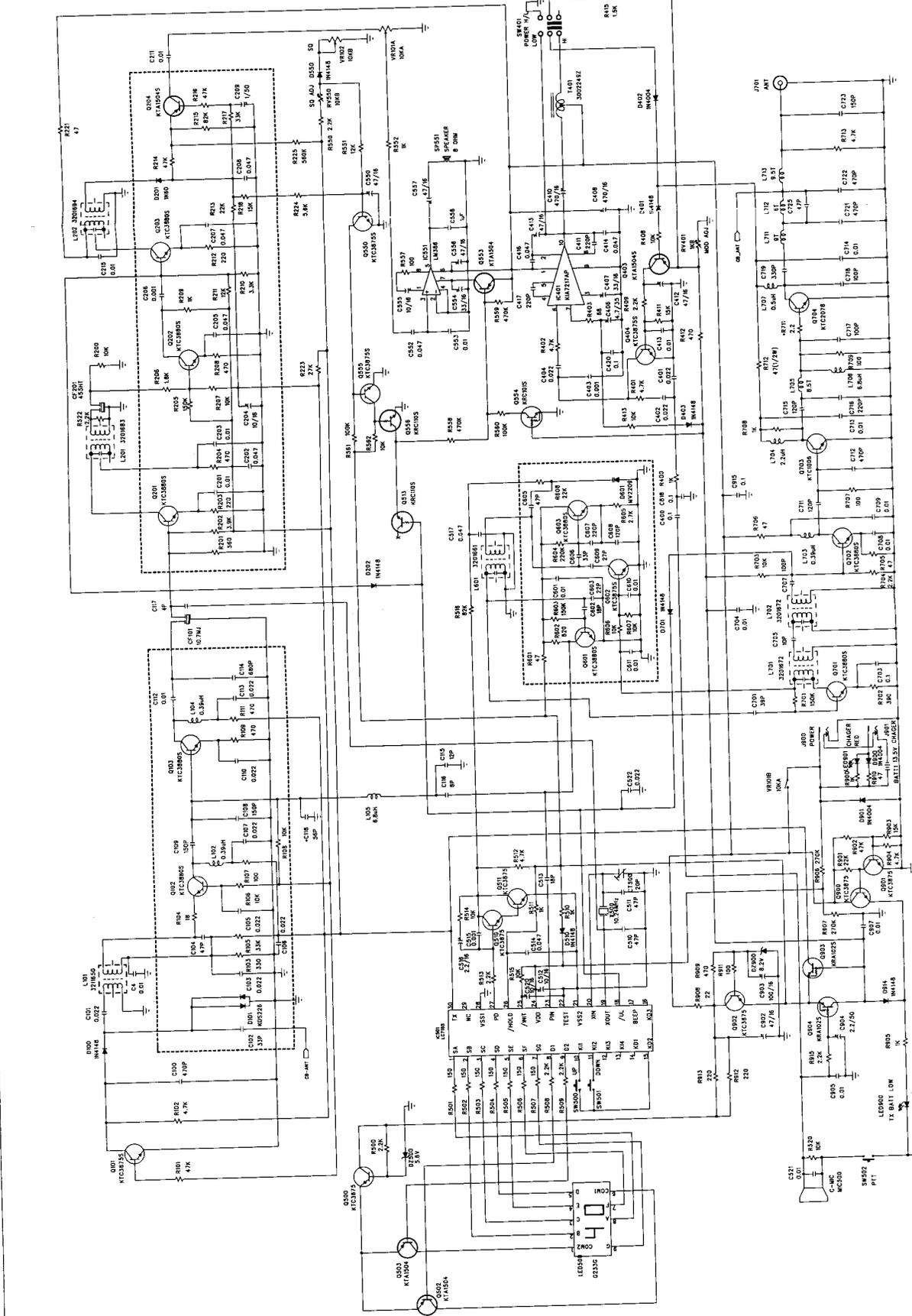


REV 30
 COO NO
 DATE
 SHEET
 SWMT
 CHECK
 CHECK
 APPROVAL



REV 30	COO NO	DATE	SHEET	SWMT	CHECK	CHECK	APPROVAL
M O X O N							
PARTS LISTING (MANUFACTURER, PART NUMBER, QUANTITY, UNIT, PRICE)							
MODEL	N. A.	REVISION	N	DATE	N	PRICE	N. A.
SIGNAL	N. A.	ISSUE	N	DATE	N	PRICE	N. A.
CONTRACT OR ORDER NO.	HH-28		PART NAME FOR IDENTIFICATION		SCALE		DATE
DESIGNER	N/A		CUSTOMER NO.		DRAWN		N/A