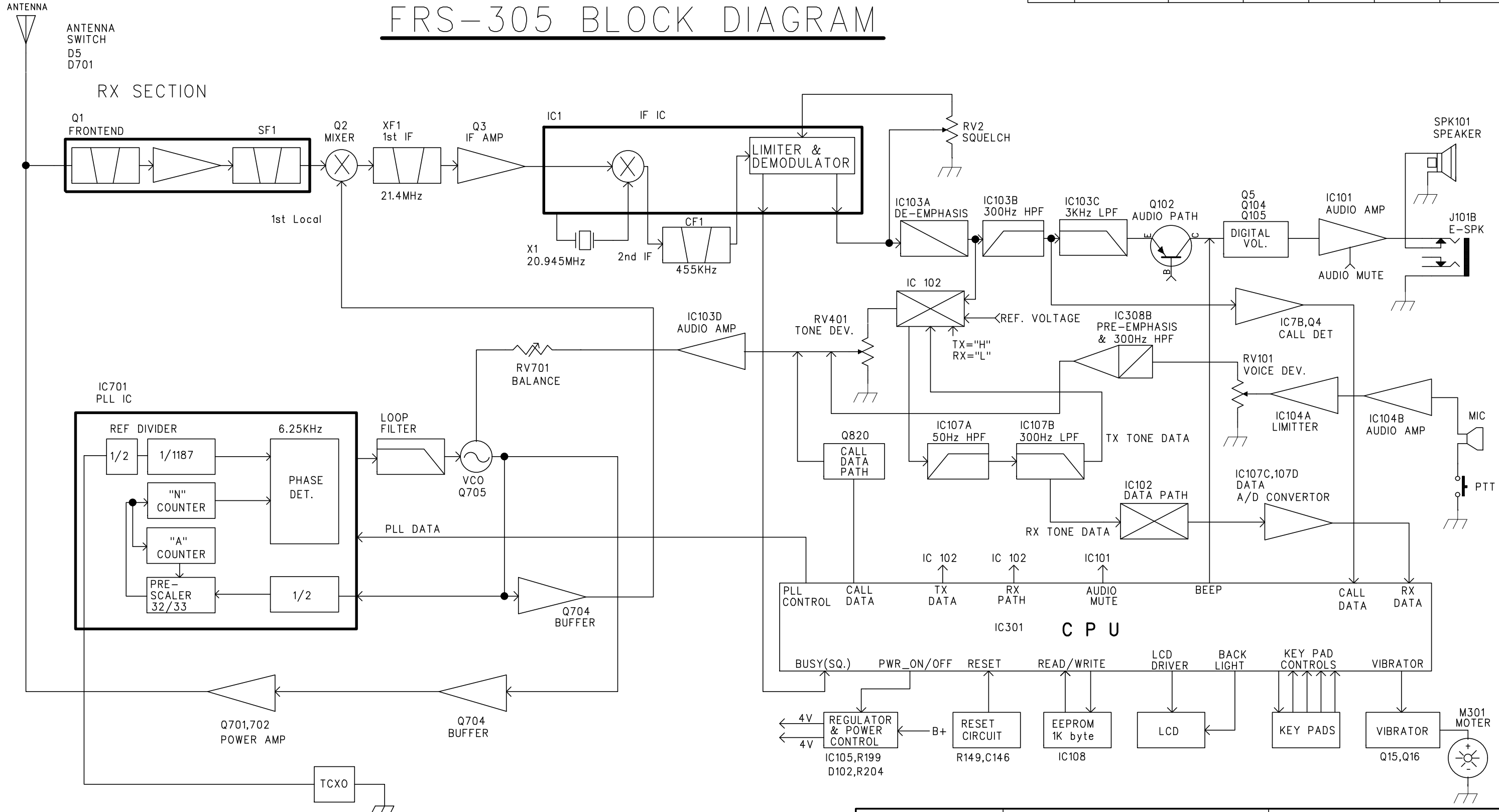


# FRS-305 BLOCK DIAGRAM



TOLERANCES UNLESS OTHERWISE SPECIFIED		NAME OR TITLE		<b>maxon</b> MAXON ELECTRONICS CO.,LTD. #459-23, KASAN-DONG KUMCHON-KU, SEOUL, KOREA	
ANGULAR	N. A	BLOCK DIAGRAM			
DECIMAL	N. A	FIRST USED IN ASSEMBLY		MATERIAL	
	N. A	CB/FRS		N. A	
	N/A	FIRST MADE FOR		END FINISH	
	N/A	CONTRACT OR CUSTOMER NO.		N. A	
		FRS-305		DO NOT SCALE DRAWING	
				DIMENSIONS ARE IN MM. INCH	
DRAWN	CHECKED	CHECKED	APPROVED	SCALE	DRAWING. PART NO.
j w kim				N/A	
					REV
					00