

GIANT ELECTRONICS LTD.

ALIGNMENT PROCEDURE

MODEL: 75ws2

REVISION: 00

DATE : DEC 19, 2000

PREPARED BY: _____

CHECKED BY: _____

APPROVED BY: _____

TOTAL PAGES:

75WS2 ALIGNMENT INSTRUCTION

1.0 TEST CONDITION:

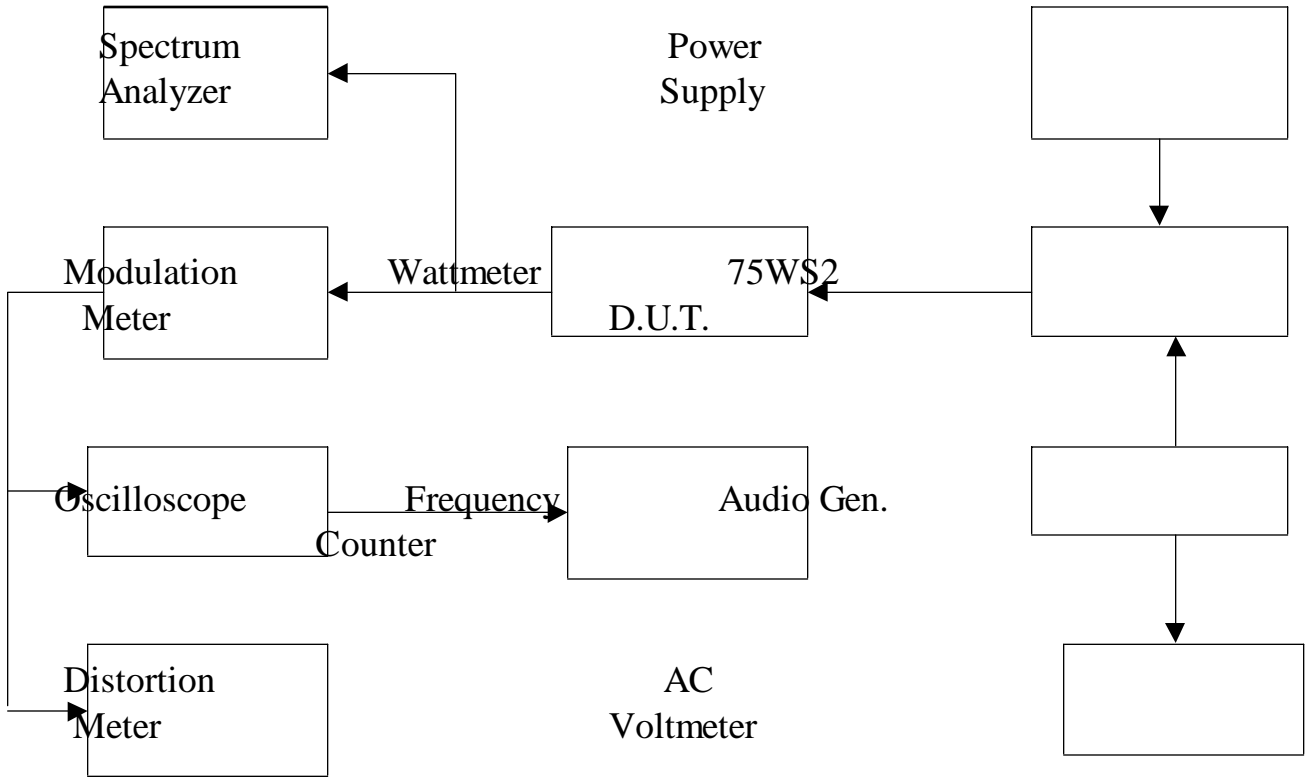
1.1. STANDARD DC POWER:	EXT.DC	13.8VDC
1.2. MEASUREMENT CHANNEL:	CB	CH19 (27.185MHz)
	WX	CH3 (162.475MHz)
1.3. STANDARD AUDIO LOADING:	CB/WX	8 Ω
1.4. ANTENNA IMPEDANCE:	CB/WX	50 Ω
1.5. STANDARD REF. MODULATION:	CB	30% (AM)
	WX	\pm 3KHz (FM)
1.6. STANDARD REF. AUDIO OUTPUT:	CB/WX	0.05W

1.7. FREQUENCY TABLE

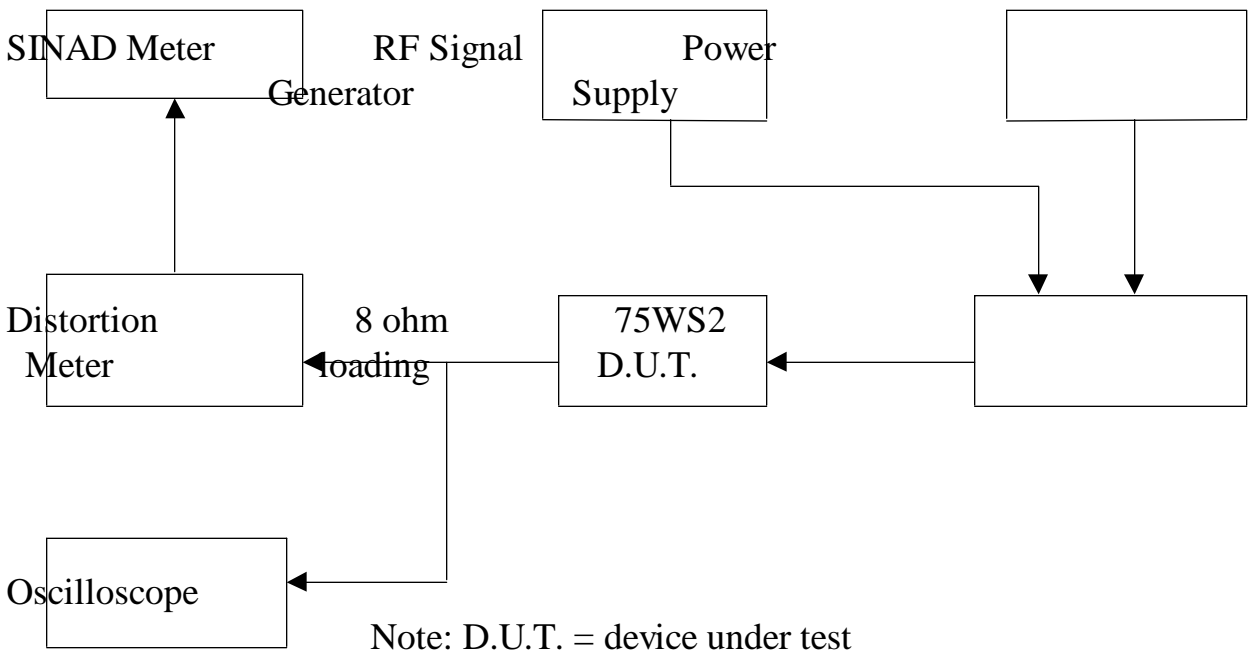
CB BAND		WX BAND	
CH NO.	FREQ. (MHz)	CH NO.	FREQ. (MHz)
01	26.965	1	162.550
02	26.975	2	162.400
03	26.985	3	162.475
04	27.005	4	162.425
05	27.015	5	162.450
06	27.025	6	162.500
07	27.035	7	162.525
08	27.055	8	161.650
09	27.065	9	161.775
10	27.075	10	163.275
11	27.085		
12	27.105		
13	27.115		
14	27.125		
15	27.135		
16	27.155		
17	27.165		
18	27.175		
19	27.185		
20	27.205		
21	27.215		
22	27.225		
23	27.255		
24	27.235		
25	27.245		
26	27.265		
27	27.275		
28	27.285		
29	27.295		
30	27.305		
31	27.315		
32	27.325		
33	27.335		
34	27.345		
35	27.355		
36	27.365		
37	27.375		
38	27.385		
39	27.395		
40	27.405		

1.8. TEST EQUIPMENT SETUP AS BELOW:

A. TX test equipment setup:



B. RX test equipment setup:



2.0 ALIGNMENT

2.1 VCO ALIGNMENT

TEST ITEM	TEST CONDITION & PROCEDURE	PURPOSE
1. CB VCO Voltage	1. Connect a digital multi-meter to TP1	Adjust L11 for 1.0 ± 0.1 V.
	2. Set CB RX mode: CH1.	
	3. Set CB TX mode	Check $CH40 \leq 4.5V$.
2. WX VCO Voltage	1. Connect a digital multi-meter to TP1	Adjust L1 FOR $1.5 \pm 0.1V$.
	2. Set WX mode CH08.	
		Check $CH10 \leq 3.0V$.

2.2 WX RECEIVER

TEST ITEM	TEST CONDITION & PROCEDURE	PURPOSE
1. Audio output level	1. Set WX mode, CH3. 2. Output of signal generator thru a $0.01\mu F$ to TP3. 3. RF Gen. set 10.7MHz, Fmod= 1KHz, Dev.= ± 3 KHz, RF level: 1mV. 4. Set volume control to middle position.	1. Adjust L9 for maximum audio output & minimum distortion at the distortion meter. (Distortion less than 8%) 2. Set volume control to maximum position, audio power output shall be more than 0.3 Watts.
2. WX sensitivity	1. Output of signal generator to antenna input terminal. 2. RF Gen. set 162.475MHz, Fmod= 1KHz, Dev.= ± 3 KHz, RF level: $1\mu V$. 3. WX set CH3.	1. Adjust L4 and L3 for more than 12dB at the SINAD meter. 2. Repeat as needed. Check all channels sens. must met D.T.S.

2.3 CB Receiver Alignment

TEST ITEM	TEST CONDITION & PROCEDURE	PURPOSE
1. Audio output level	1. CB RX mode. 2. ST to OFF 3. Output of signal generator thru $0.01\mu F$ to TP3. 4. RF Gen. set 10.7MHz, Fmod= 1KHz, AM= 30%, level: 1mV.	1. Adjust L8 and L23 for maximum audio output & minimum distortion at the distortion meter. (Distortion less than 5%) 2. Set volume control to

	<ol style="list-style-type: none"> 5. Set Volume control to middle position. 6. Set Squelch to minimum. 	<p>maximum position, audio power output shall be more than 0.35 Watts.</p>
2. RX sensitivity	<ol style="list-style-type: none"> 1. Set normal band CH19. 2. Output of signal generator to antenna input terminal. 3. RF Gen. set 27.185MHz, fm: 1kHz, AM= 30%, RF level: 1μV. 	<ol style="list-style-type: none"> 1. Adjust L5, L6 and L10 for more than 10dB S/N ratio. 2. Repeat as needed. Check CH1 and CH40.
3. SQUELCH control (Tight Squelch)	<ol style="list-style-type: none"> 1. Set normal band CH19. 2. Output of signal generator to the antenna input terminal. 3. RF Gen. set 27.185 MHz , Fmod= 1KHz, AM= 30%, RF level: 2000 μV. 4. Rotate the Squelch control to fully clockwise position 	<ol style="list-style-type: none"> 1. Slowly turn VR5 to a position that the audio output waveform at the oscilloscope just appears from no output. 2. Must open at 4000uV. 3. Must not open at 800uV.
4. Signal meter display	<ol style="list-style-type: none"> 1. Set normal band CH19. 2. Output of signal generator to antenna input terminal. RF Gen. set 27.185MHz, no modulation, RF level: 100 μV. 	<ol style="list-style-type: none"> 1. Adjust VR1 for "9" displayed on the signal meter of LCD . 2. Increase RF level by 30dB. The signal meter should be displayed at "+30" position.
5. Sound Tracker (ST must be on) a) S/N b) Audio Gain	<ol style="list-style-type: none"> 1. Set normal band CH19. 2. RF Gen. set 27.185MHz,30% modulation 3. S/N @ RF level 1.0uV @ RF level 1000uV 4. Audio Gain @ 100uV 50% Mod. 	<ol style="list-style-type: none"> 1. S/N: 1.0uV \geq 15dB. 1000uV \geq 50dB. 2. ST audio output change 2-8dB from OFF to ON.

2.4 CB Transmitter Alignment

TEST ITEM	TEST CONDITION & PROCEDURE	PURPOSE
1. TP4 Alignment	<ol style="list-style-type: none"> 1. Channel set normal band CH 19. 2. Set TX mode. Connect the TP4 thru a 10pF capacitor to the oscilloscope. 	<ol style="list-style-type: none"> 1. Adjust L24,L21 for maximum RF output waveform on the scope. (Freq. = 27.185MHz) 2. Repeat as needed.

2. TX Carrier output power	<ol style="list-style-type: none"> 1. Channel set normal band CH 19. 2. Set TX mode. 3. Connect an RF wattmeter to the antenna socket. 	<ol style="list-style-type: none"> 1. Adjust L14 for 4.0 watts RF output power. 2. Check TX CH1 and CH40 should meet D.T.S.
3. TX Carrier frequency detector.	<ol style="list-style-type: none"> 1. Channel set CH 19. 2. Set TX mode. 	Turn vc1 for 27.185MHz \pm 300Hz at the frequency counter.
4. TX Signal meter	<ol style="list-style-type: none"> 1. Connect an RF wattmeter to the antenna socket. 2. No modulation. 3. Set TX output power for 3watts. 	Adjust VR6 for “3” displayed at the TX signal strength of the LCD.
5. MAXIMUM Modulation (AMC control)	<ol style="list-style-type: none"> 1. Set TX mode. Output of AF generator to MIC jack, @ 1000Hz, 25 mV . ST set off. 	<ol style="list-style-type: none"> 1. Adjust VR2 for 88% modulation. 2. Distortion less than 8.0% at 80% modulation. 3. Check CH1, CH40.
6. TX 2 nd harmonics	<ol style="list-style-type: none"> 1. Connect an RF wattmeter to the antenna socket. 	Reading 2 nd harmonics must less than -60dB at spectrum analyzer.
7. Occupied band width, (OBW)	<ol style="list-style-type: none"> 1. Set TX High power mode 2. Set modulation frequency 2500 Hz. 3.6mv. 	The frequency spectrum of the harmonics should be at least 2 dB better than the limits of the FCC specification.