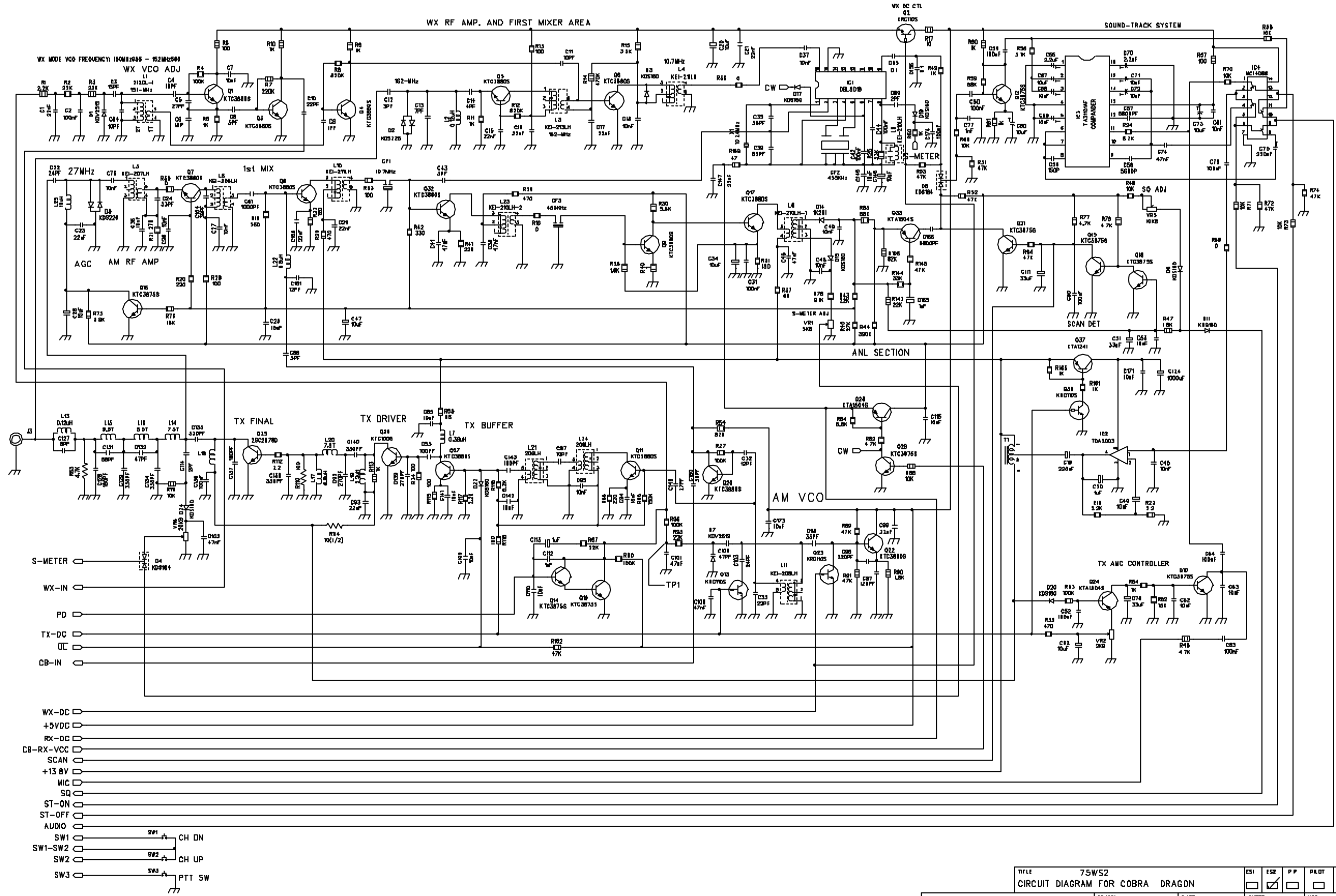


CIRCUIT DIAGRAM FOR COBRA DRAGON



KEPC-503

TITLE 75WS2 CIRCUIT DIAGRAM FOR COBRA DRAGON		CS1	CS2	PP	PLOT	FINAL
COMPANY: GIANT ELECTRONICS LTD		DRAWN XV PENIG	DATE JAN-88-2000	SHEET 1 OF 2	VER 00	FILE NAME 75WS22.SCH
APPROVED BY		DATE	UPDATE JAN-88-1001			