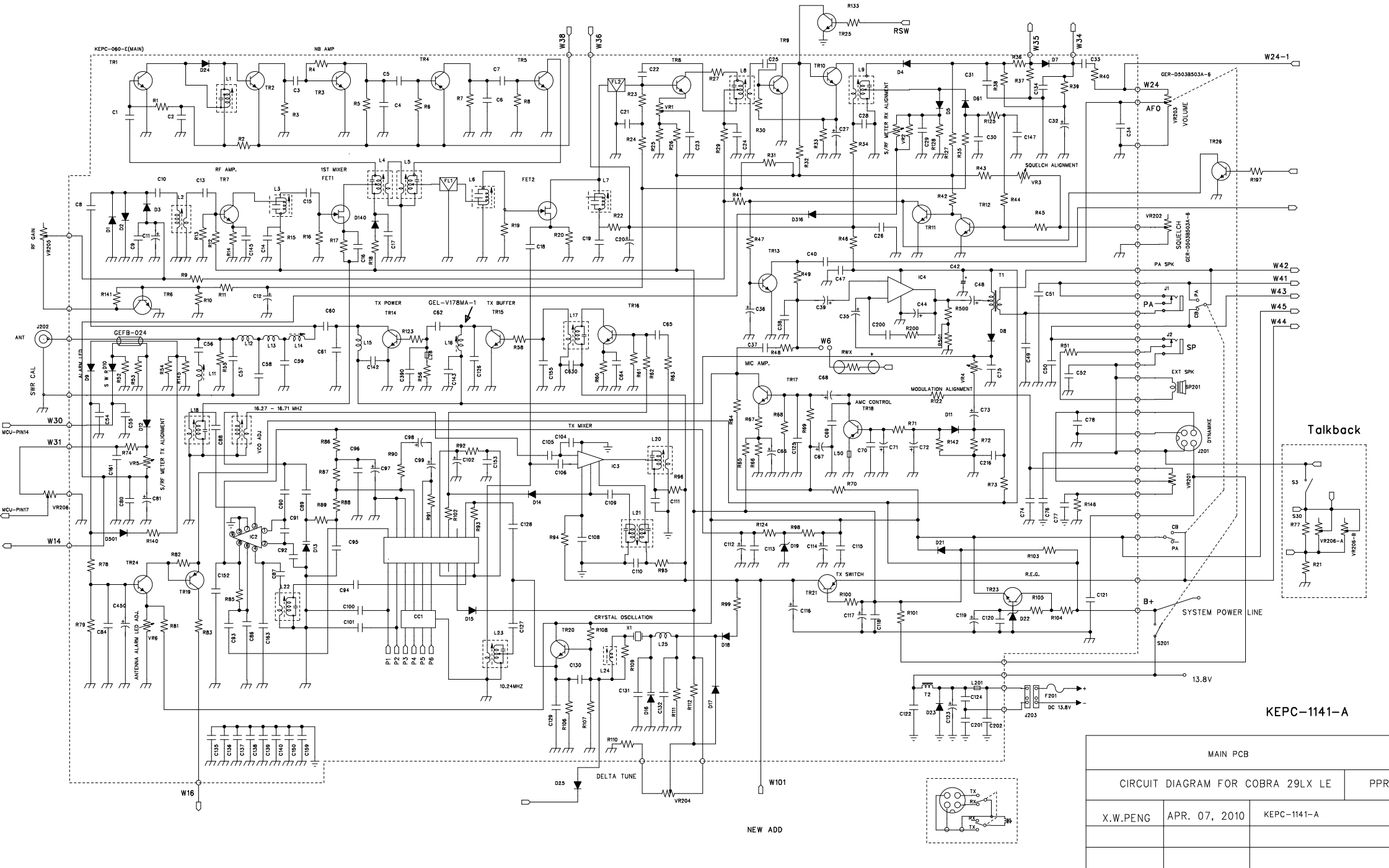


# CIRCUIT DIAGRAM OF 29LX MAIN PCB (PAGE 1 OF 4)

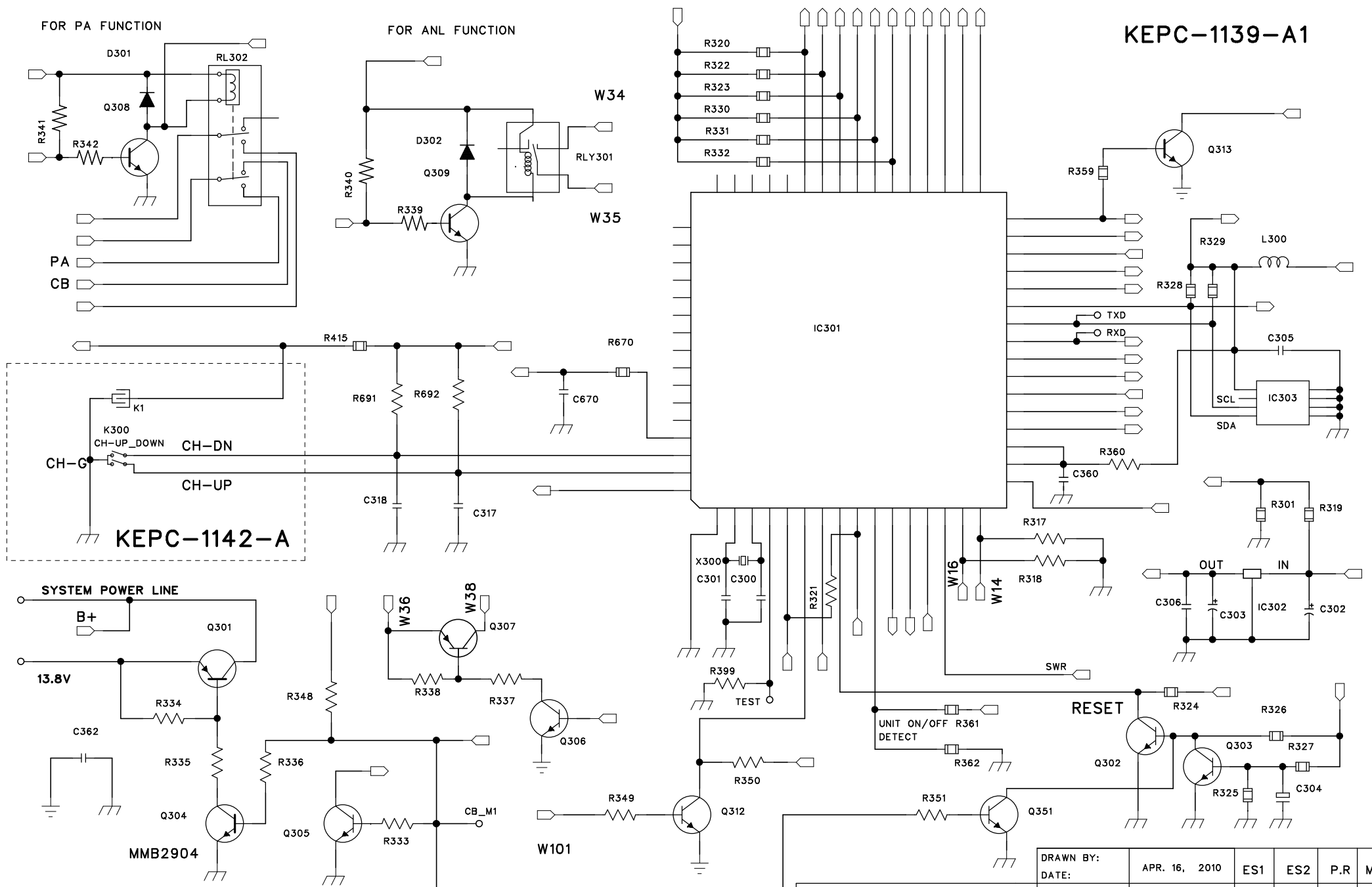


KEPC-1141-A

MAIN PCB		
CIRCUIT DIAGRAM FOR COBRA 29LX LE		PPR
X.W.PENG	APR. 07, 2010	KEPC-1141-A

NEW ADD

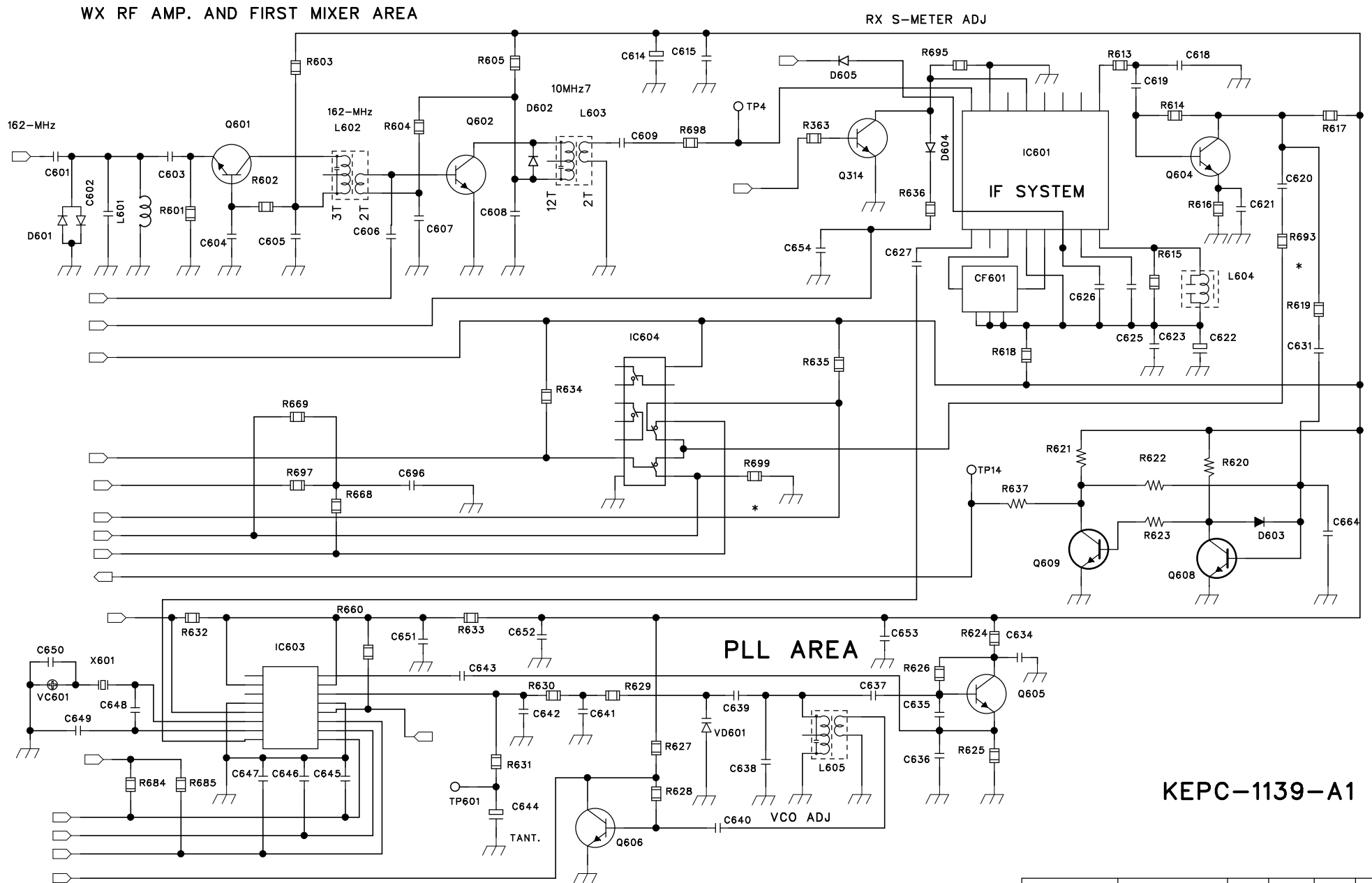
# CIRCUIT DIAGRAM OF 29LX MCU PCB (PAGE 2 OF 4)



GIANT ELECTRONICS LTD

DRAWN BY:	APR. 16, 2010	ES1	ES2	P.R	MP
DATE:					
APPROVAL BY:			✓		
DATE:					

# CIRCUIT DIAGRAM OF 29LX WX PCB (PAGE 3 OF 4)

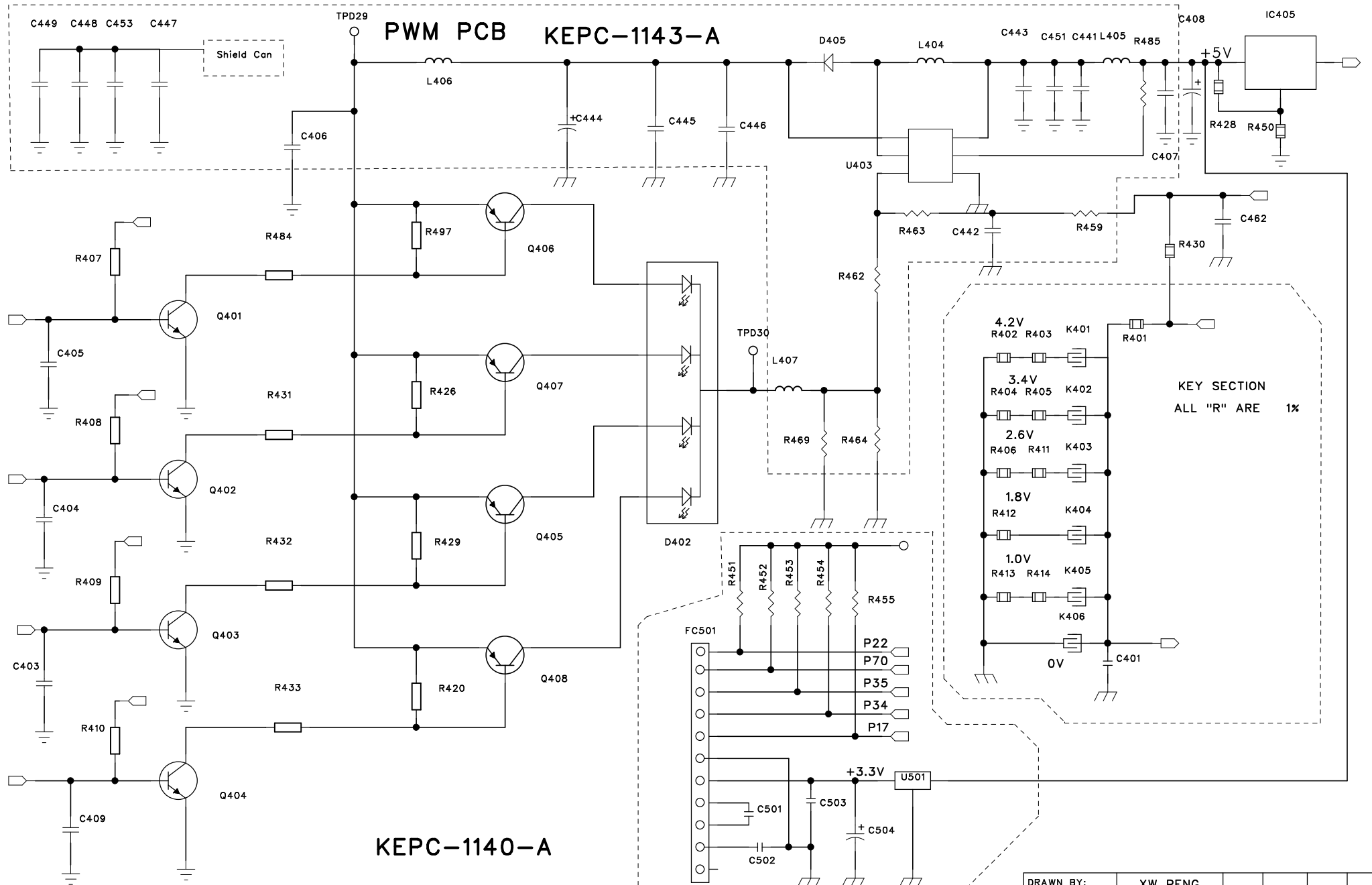


KEPC-1139-A1

DRAWN BY:	XW PENG	ES1	ES2	P.R	MP
DATE:	Feb. 3, 2010				
APPROVAL BY:				✓	
DATE:					

GIANT ELECTRONICS LTD

# CIRCUIT DIAGRAM OF 29LX BACKLGHIT PCB (PAGE 4 OF 4)



DRAWN BY:	XW PENG	ES1	ES2	P.R	MP
DATE:	Feb. 3, 2010				
APPROVAL BY:			✓		
DATE:					

GIANT ELECTRONICS LTD