



849 NW STATE ROAD 45
NEWBERRY, FL 32669 USA
PH: 888.472.2424 OR 352.472.5500
FAX: 352.472.2030
EMAIL: INFO@TIMCOENGR.COM
[HTTP://WWW.TIMCOENGR.COM](http://WWW.TIMCOENGR.COM)

**FCC PART 95 AND IC RSS-210
FRS/GMRS TRANSCEIVER
TEST REPORT**

APPLICANT	COBRA ELECTRONICS CORPORATION
	6500 WEST CORTLAND STREET CHICAGO, IL 60707 USA
FCC ID	BBO2104B
IC CERT #	906B-2104B
MODEL NUMBERS	CXT425C, CXT428C, CXT430C, CXT475C, CXT478C
PRODUCT DESCRIPTION	FRS/GMRS TRANSCEIVER
DATE SAMPLE RECEIVED	2/9/2010
DATE TESTED	2/22/2010
TESTED BY	Nam Nguyen
APPROVED BY	Mario R. de Aranzeta
TIMCO REPORT NO.	350AUT10TestReport.doc
TEST RESULTS	<input checked="" type="checkbox"/> PASS <input type="checkbox"/> FAIL

**THE ATTACHED REPORT SHALL NOT BE REPRODUCED EXCEPT IN FULL
WITHOUT THE WRITTEN APPROVAL OF TIMCO ENGINEERING, INC.**



Certificate # 0955-01



TABLE OF CONTENTS

GENERAL REMARKS.....	3
GENERAL INFORMATION.....	4
TEST PROCEDURES	5
RF POWER OUTPUT.....	6
MODULATION CHARACTERISTICS	7
EMISSION DESIGNATOR AND FREQUENCIES.....	10
OCCUPIED BANDWIDTH.....	11
SPURIOUS EMISSIONS AT ANTENNA TERMINALS (CONDUCTED).....	13
FIELD STRENGTH OF SPURIOUS EMISSIONS - TX.....	14
FIELD STRENGTH OF SPURIOUS EMISSIONS - RX.....	16
FREQUENCY STABILITY.....	18
TEST EQUIPMENT LIST.....	19

Applicant: COBRA ELECTRONICS CORPORATION
FCC ID: BBO2104B
IC Cert #: 906B-2104B
Report: C\COBRA\350AUT10\350AUT10TestReport.doc

GENERAL REMARKS

The attached report shall not be reproduced except in full without the written permission of Timco Engineering Inc.

Summary

The device under test does:

- fulfill the general approval requirements as identified in this test report
- not fulfill the general approval requirements as identified in this test report

Attestations

This equipment has been tested in accordance with the standards identified in this test report. To the best of my knowledge and belief, these tests were performed using the measurement procedures described in this report.

All instrumentation and accessories used to test products for compliance to the indicated standards are calibrated regularly in accordance with ISO 17025 requirements.



Testing Certificate # 0955-01

I attest that the necessary measurements were made, under my supervision, at:

Timco Engineering Inc.
849 NW State Road 45
Newberry, Fl 32669



Authorized Signatory Name:

Mario de Aranzeta C.E.T.
Compliance Engineer/ Lab. Supervisor

Date: 2/25/2010

GENERAL INFORMATION

The test results relate only to the items tested.	
DUT Description	FRS/GMRS TRANSCEI VER
FCC ID	BBO2104B
IC Cert #	906B-2104B
Model Number	CXT425C, CXT428C, CXT430C, CXT475C, CXT478C
Operating Frequency	462.5500-462.7250, 462.5625-467.7125
No. of Channels	22
Type of Emission	10K5F3E
Modulation	FM
DUT Power Source	<input type="checkbox"/> 110-120Vac/50- 60Hz
	<input type="checkbox"/> DC Power
	<input checked="" type="checkbox"/> Battery Operated Exclusively
Test Item	<input type="checkbox"/> Prototype
	<input checked="" type="checkbox"/> Pre-Production
	<input type="checkbox"/> Production
Type of Equipment	<input type="checkbox"/> Fixed
	<input type="checkbox"/> Mobile
	<input checked="" type="checkbox"/> Portable
Antenna	Fixed
Test Facility	Timco Engineering Inc. located at 849 NW State Road 45 Newberry, FL 32669 USA.
Modifications	None
Test Exercise	The DUT was placed in continuous transmit mode of operation
Applicable Standards	TIA 603 , FCC CFR 47 Part 2 & Part 95, Industry Canada RSS-210

TEST PROCEDURES

Bandwidth: The measurements were made with the spectrum analyzer's resolution bandwidth (RBW) = 1 MHz and the video bandwidth (VBW) = 3 MHz and the span set as shown on plot.

Power Output: RF power was conducted per TIA/EIA STANDARD 603 using the substitution method

Antenna Conducted Emissions: The RBW = 100 kHz, VBW = 300 kHz and the span set to 10.0 MHz and the spectrum was scanned from 30 MHz to the 10th Harmonic of the fundamental. Above 1 GHz the resolution bandwidth was 1 MHz and the VBW = 3 MHz and the span to 50 MHz.

Radiation Interference: The test procedure used was TIA 603 using an Agilent spectrum receiver with pre-selector. The bandwidth (RBW) of the spectrum TIA 603 receiver was 100 kHz up to 1 GHz and 1 MHz above 1 GHz with an appropriate sweep speed. The VBW above 1 GHz was 3 MHz. The analyzer was calibrated in dB above a microvolt at the output of the antenna. The ambient temperature of the DUT was 76°F with a humidity of 55%.

RF POWER OUTPUT

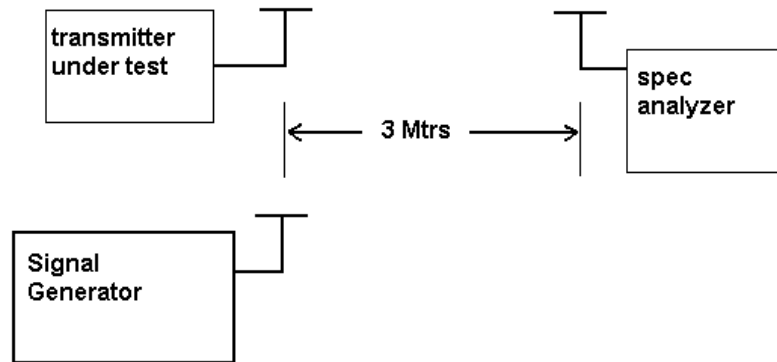
Rule Part No.: 2.1033(c)(6)(7), 2.1046(a), Part 95, RSS-210

Requirements: Power output shall not exceed 0.50 Watts effective radiated power for the FRS channels. There can be no provisions for increasing the power or varying the power. No GMRS channel, under any condition of modulation, shall exceed:

1. 50W Carrier power (average TP during one modulated RF cycle) when transmitting emissions type A1D, F1D, G1D, A3E, F3E, or G3E.
2. 50W peak envelope TP when transmitting emission type H1D, J1D, R1D, H3E, J3E, or R3E.

Method of Measurement: RF power is measured as ERP as the antenna is permanently attached. The substitution method was used. With a nominal battery voltage, and the transmitter properly adjusted the RF output measures:

Test Setup Diagram:



Test Data:

OUTPUT POWER: GMRS: 1.2 W ERP
FRS: 0.40W ERP

Rule Part No.: 2.1033 (C)(8) DC Input into the final amplifier

$$(6.0V)(.70A) = 4.20 \text{ Watts}$$

$$(6.0V)(.35A) = 2.10 \text{ Watts}$$

MODULATION CHARACTERISTICS

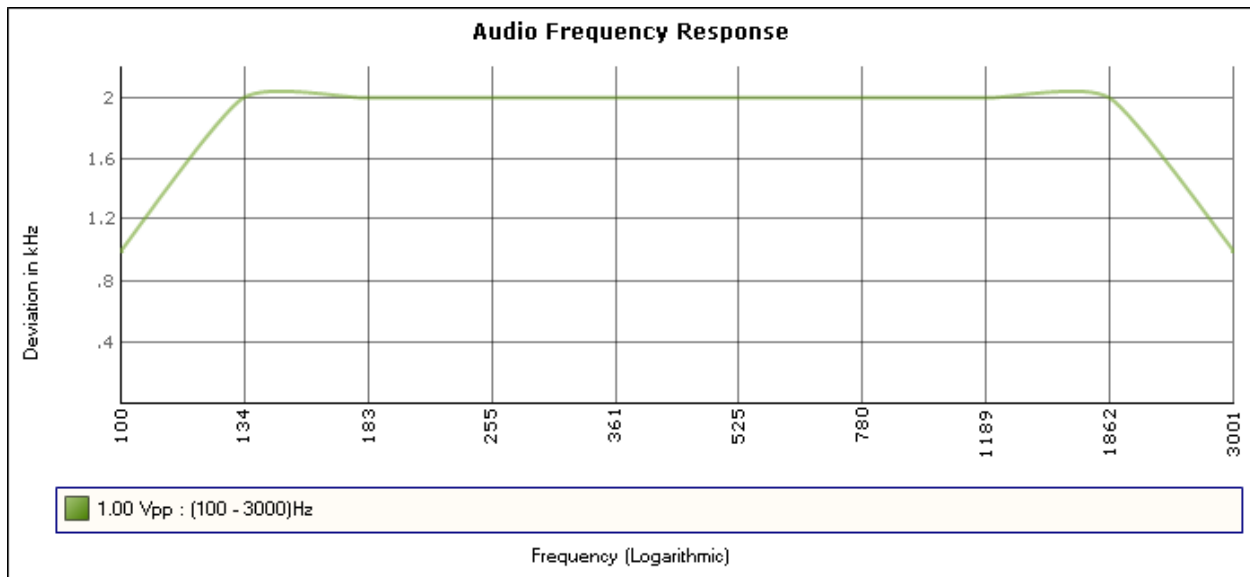
Rule Part No.: Part 2.1047(a)(b)

Test Requirements:

Method of Measurement:

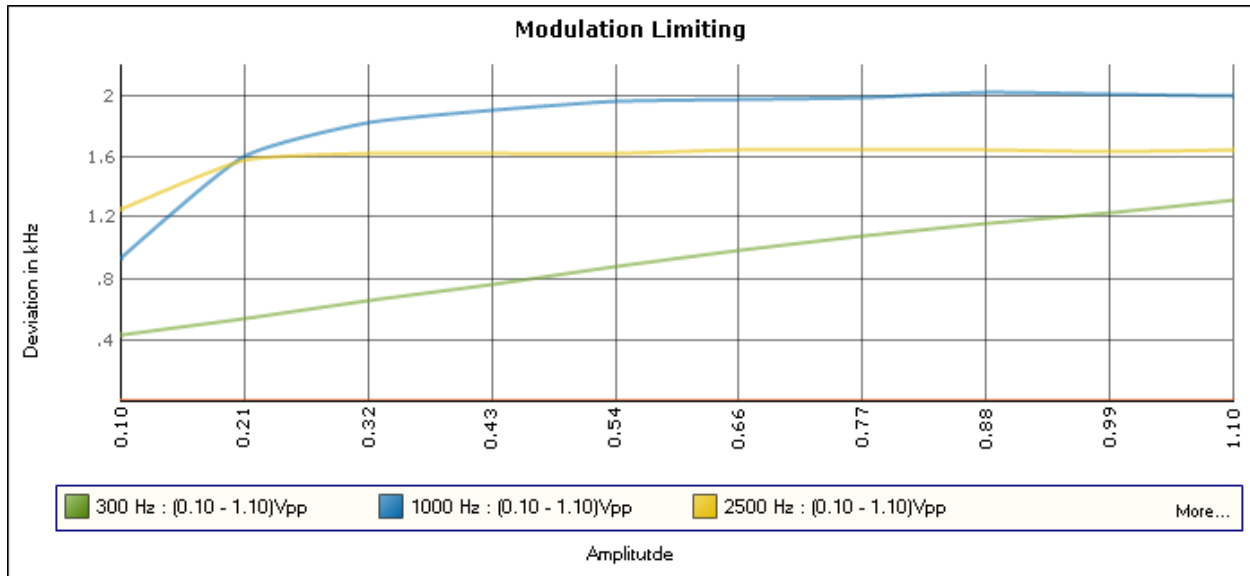
The audio frequency response was measured in accordance with TIA/EIA – 603. The audio frequency response curve is shown below. The audio signal was fed into a dummy microphone circuit and into the microphone connector. The input required to produce 30 percent modulation level was measured.

AUDIO FREQUENCY RESPONSE PLOT



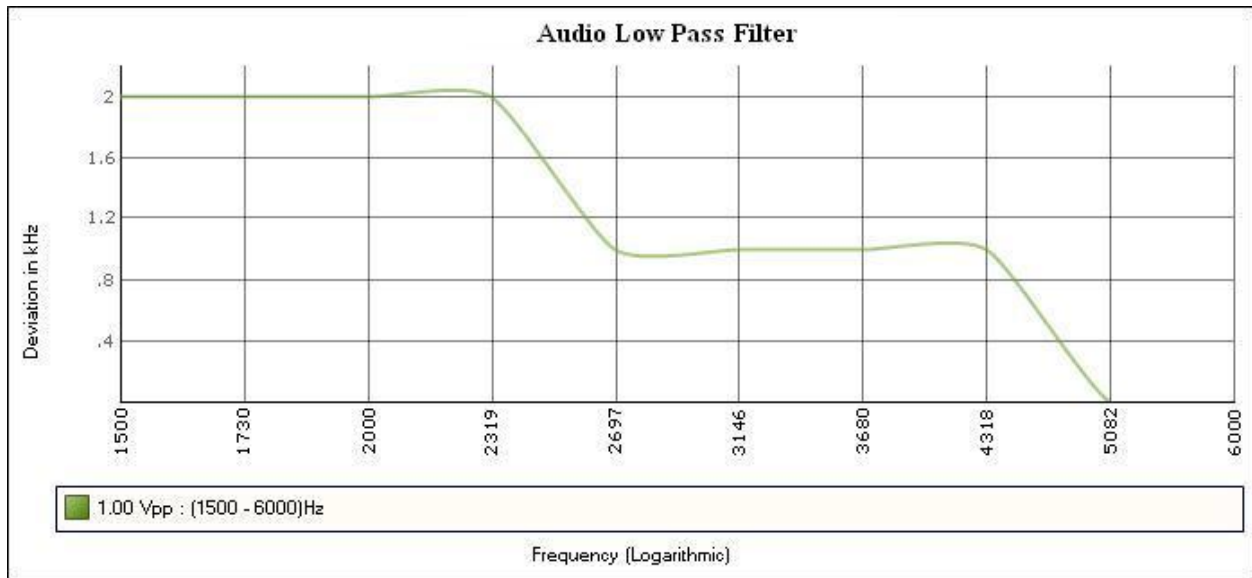
Audio input versus modulation

The audio input level needed for a particular percentage of modulation was measured in accordance with ANSI/TIA-603-C:2004. Curves are provided for audio input frequencies of 300, 1000, and 2500 Hz. See the plot below..



Post Limiter Filter

Each GMRS transmitter, except a mobile station transmitter with a power of 2.5Watts or less, must be equipped with an audio low pass filter. At any frequency between 3 & 20 kHz the filter must have an attenuation of $60\log(f/3)$ greater than the attenuation at 1KHz. See below.



EMISSION DESIGNATOR AND FREQUENCIES

2.1033(c) (4) Type of Emission: 10K5F3E
95.631

$$\begin{aligned} B_n &= 2M + 2DK \\ M &= 3000 \\ D &= 2.25K \\ B_n &= 2(3000) + 2(2250) = 10.5K \end{aligned}$$

GMRS Authorized Bandwidth 20.0 kHz

2.1033(c)(5) GMRS Frequency Range:
95.621

- | | |
|--------------|--------------|
| 1. 462.5500 | 13. 462.7000 |
| 2. 462.5625 | 14. 462.7125 |
| 3. 462.5750 | 15. 462.7250 |
| 4. 462.5875 | |
| 5. 462.6000 | |
| 6. 462.6125 | |
| 7. 462.6250 | |
| 8. 462.6375 | |
| 9. 462.6500 | |
| 10. 462.6625 | |
| 11. 462.6750 | |
| 12. 462.6875 | |

FRS Authorized Bandwidth 12.5 kHz

2.1033(c)(5) FRS Frequency Range:
95.627

- | | |
|-------------|------------------|
| 1. 462.5625 | 8. 467.5625 |
| 2. 462.5875 | 9. 467.5875 |
| 3. 462.6125 | 10. 467.6125 |
| 4. 462.6375 | 11. 467.6375 |
| 5. 462.6625 | 12. 467.6625 |
| 6. 462.6875 | 13. 467.6875 |
| 7. 462.7125 | 14. 467.7125 MHz |

OCCUPIED BANDWIDTH

Part 2.1049(c) EMISSION BANDWIDTH:
 95.635(b)(1)(3)(7)

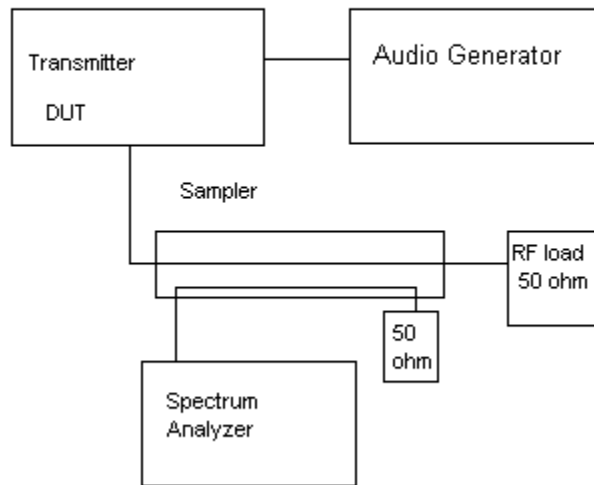
At least 25 dB on any frequency removed from the center of the authorized bandwidth by more than 50 % up to and including 100 % of the authorized bandwidth. At least 35 dB on any frequency removed from the center of the authorized BW by more than 100 % up to and including 250 % of the authorized BW. At least $43 + \log_{10}(TP)$ dB on any frequency removed from the center of the authorized bandwidth by more than 250%. See the following plot.

Test procedure: ANSI/TIA 603-C: 2004 para 2.2.11.

Test procedure diagram

OCCUPIED BANDWIDTH MEASUREMENT

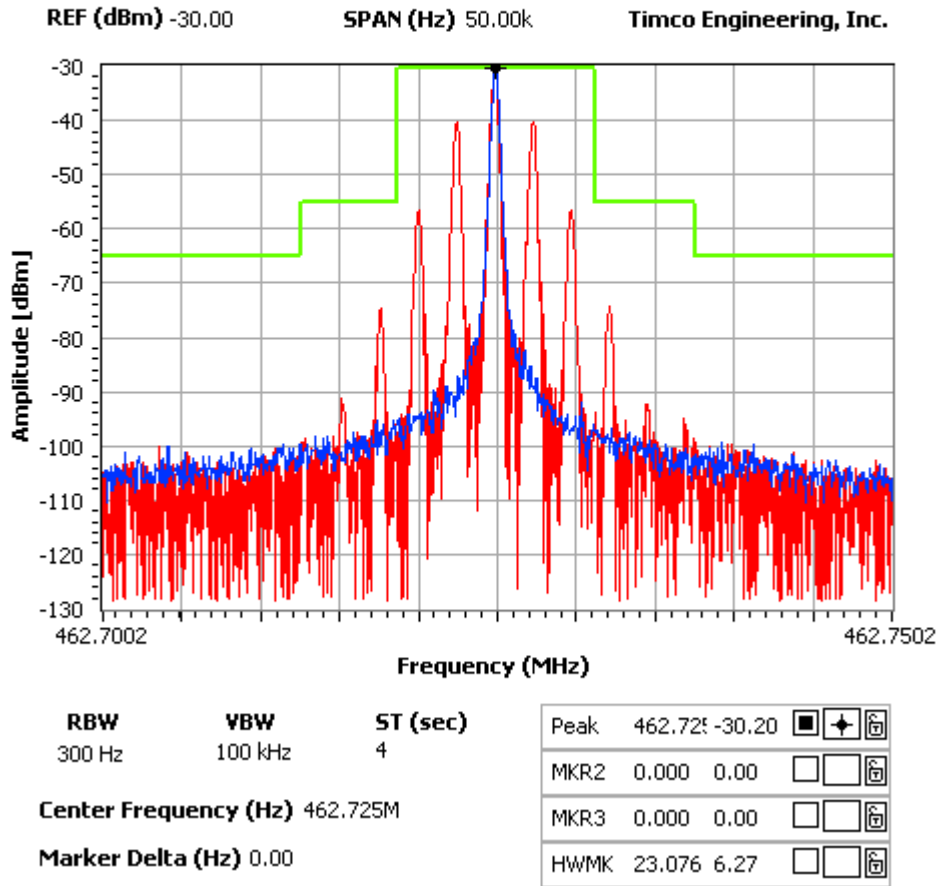
Occupied BW Test Equipment Setup



NOTES:

COBRA ELECTRONICS CORPORATION - FCC ID: BBO2104B
OCCUPIED BANDWIDTH PLOT

FCC 95.635 Mask (1) (3) (7)





SPURIOUS EMISSIONS AT ANTENNA TERMINALS (CONDUCTED)

2.1051 Not applicable, no antenna terminal allowed.

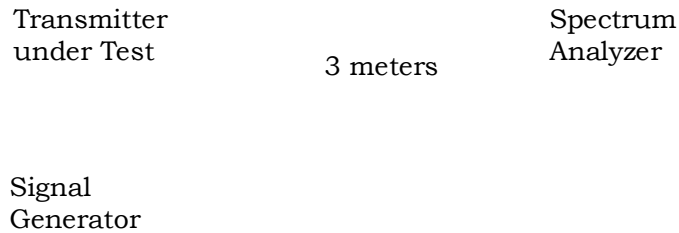
FIELD STRENGTH OF SPURIOUS EMISSIONS - TX

Rule Parts. No.: Part 2.1053
95.635(b)(7)

Requirements: GMRS: $43 + 10\log(1.2) = 43.8$ dB

METHOD OF MEASUREMENT: The tabulated data shows the results of the radiated field strength emissions test. The spectrum was scanned from 30 MHz to at least the tenth harmonic of the fundamental. This test was conducted per ANSI/TIA 603-C: 2004 using the substitution method. Measurements were made at the test site of TIMCO ENGINEERING, INC. located at 849 NW State Road 45, Newberry, FL 32669.

Test Setup Diagram:



Test Data (GMRS):

Emission Frequency MHz	Ant. Polarity	dB Below Carrier (dBc)
462.73	V	0.00
925.45	V	58.26
1388.18	V	79.85
1850.90	V	56.94
2313.63	V	61.07
2776.35	V	76.75
3239.08	V	81.46
3701.80	V	78.41
4164.53	V	78.78
4627.25	V	75.83

Rule Parts. No.: Part 2.1053
95.635(b)(7)

Requirements: FRS : $43 + 10\log(.40) = 39.0$ dB

Test Data (FRS):

Emission Frequency MHz	Ant. Polarity	dB Below Carrier (dBc)
467.56	V	0
935.13	V	60.85
1402.69	V	66.63
1870.25	V	55.88
2337.81	V	47.96
2805.38	V	80.29
3272.94	V	75.90
3740.50	V	76.03
4208.06	V	78.75
4675.63	V	78.18

FIELD STRENGTH OF SPURIOUS EMISSIONS - RX

Rules Part No.: 15.109, - RSS-210, RSS-310

Requirements:

Frequency	Limits
30 – 88	40.0 dBμV/m measured @ 3 meters
80 – 216	43.5 dBμV/m measured @ 3 meters
216 – 960	46.0 dBμV/m measured @ 3 meters
Above 960	54.0 dBμV/m measured @ 3 meters

Test Procedure: The procedure used was ANSI C63.4-2003. The frequency was scanned from 30 MHz to 1.0 GHz. When an emission was found, the table was rotated to produce the maximum signal strength. The DUT was measured in three (3) orthogonal planes.

Test Data:

Tuned Frequency MHz	Emission Frequency MHz	Meter Reading dBμV	Ant. Polarity	Coax Loss dB	Correction Factor dB/m	Field Strength dBμV/m	Margin dB
163.3	141.6	5.9	H	0.69	15.36	21.95	21.55
163.3	141.6	11.3	V	0.69	16.39	28.38	15.12
163.3	283.2	4.1	H	1.07	13.86	19.03	26.97
163.3	283.2	4.3	V	1.07	13.7	19.07	26.93
163.3	424.8	4.3	H	1.22	16.34	21.86	24.14
163.3	424.8	6.8	V	1.22	16.05	24.07	21.93
163.3	566.4	4.2	V	1.5	18.16	23.86	22.14
163.3	566.4	4.5	H	1.5	18.74	24.74	21.26
163.3	708	4.6	H	1.72	21	27.32	18.68
163.3	708	5.1	V	1.72	20.52	27.34	18.66
163.3	849.6	4	V	1.92	22.08	28	18
163.3	849.6	4.5	H	1.92	22.6	29.02	16.98
462.7	441.03	11.1	H	1.24	16.81	29.15	16.85
462.7	441.03	15.6	V	1.24	16.33	33.17	12.83
462.7	882.06	3.7	V	1.94	22.44	28.08	17.92
462.7	882.06	4.3	H	1.94	23.3	29.54	16.46
462.7	1,223.09	14.7	V	2.28	27.78	44.76	9.24
462.7	1,223.09	15.5	H	2.28	27.78	45.56	8.44

Applicant: COBRA ELECTRONICS CORPORATION
 FCC ID: BBO2104B
 IC Cert #: 906B-2104B
 Report: C\COBRA\350AUT10\350AUT10TestReport.doc

TEST DATA CONTD.

Tuned Frequency MHz	Emission Frequency MHz	Meter Reading dB μ V	Ant. Polarity	Coax Loss dB	Correction Factor dB/m	Field Strength dB μ V/m	Margin dB
462.7	1,764.12	15.8	V	2.71	29.69	48.2	5.8
462.7	1,764.12	16.1	H	2.71	29.69	48.5	5.5
462.7	2,205.15	7.7	H	3.04	31.73	42.47	11.53
462.7	2,205.15	8.3	V	3.04	31.73	43.07	10.93
462.7	2,646.18	7.4	H	3.35	32.53	43.28	10.72
462.7	2,646.18	7.6	V	3.35	32.53	43.48	10.52
467.6	445.86	10.6	H	1.25	16.86	28.71	17.29
467.6	445.86	15.3	V	1.25	16.48	33.03	12.97
467.6	891.72	4.4	V	1.95	22.62	28.97	17.03
467.6	891.72	5	H	1.95	23.3	30.25	15.75
467.6	1,337.58	14.1	H	2.37	27.87	44.34	9.66
467.6	1,337.58	14.3	V	2.37	27.87	44.54	9.46
467.6	1,783.44	15.5	H	2.73	29.81	48.04	5.96
467.6	1,783.44	15.6	V	2.73	29.81	48.14	5.86
467.6	2,229.30	8	H	3.06	31.8	42.86	11.14
467.6	2,229.30	8.2	V	3.06	31.8	43.06	10.94
467.6	2,675.16	7.1	V	3.37	32.54	43.01	10.99
467.6	2,675.16	7.4	H	3.37	32.54	43.31	10.69

FREQUENCY STABILITY

Rule Parts. No.: Part 2.1055, Part 95.621(b), RSS-210

Requirements: Temperature and voltage tests were performed to verify that the frequency remains within the 0.0005%, 5 ppm specification limit. The test was conducted as follows: The transmitter was placed in the temperature chamber at 25° C and allowed to stabilize for one hour. The transmitter was keyed ON for one minute during which four frequency readings were recorded at 15 second intervals. The worse case number was taken for temperature plotting. The assigned channel frequency was considered to be the reference frequency. The temperature was then reduced to -30° C after which the transmitter was again allowed to stabilize for one hour. The transmitter was keyed ON for one minute, and again frequency readings were noted at 15 second intervals. The worst case number was recorded for temperature plotting. This procedure was repeated in 10 degree increments up to + 50° C.

Method of Measurements: ANSI/TIA 603-C:2004

Test Data:

Assigned Frequency (Ref. Frequency) (MHz)		462.725027
Temperature (°C)	Frequency (MHz)	Frequency Stability (PPM)
REFERENCE		
-30	462.724254	-1.67
-20	462.724593	-0.94
-10	462.725239	0.46
0	462.725551	1.13
+10	462.725518	1.06
+20	462.725217	0.41
+30	462.724974	-0.11
+40	462.724744	-0.61
+50	462.724923	-0.22

Assigned Frequency (Ref. Frequency) (MHz)		
% Battery	Frequency (MHz)	Frequency Stability (PPM)
-15%	462.724981	-0.10
0	462.725027	0.00
+15%	462.725016	-0.02

Note: This EUT meets the frequency stability requirement for a FRS: +/- 2.5ppm over temp range of -20 degrees C to +50 degrees C. It also meets the GMRS frequency stability requirements: +/- 5ppm over the temp range -30 degrees C to +50 degrees C.

TEST EQUIPMENT LIST

Device	Manufacturer	Model	Serial Number	Cal/Char Date	Due Date
3-Meter Semi-Anechoic Chamber	Panashield	N/A	N/A	Listed 5/11/07	5/10/10
AC Voltmeter	HP	400FL	2213A14499	CAL 3/23/09	3/23/11
Antenna: Dipole Kit	Electro-Metrics	TDA-30/1-4	153	CHAR 6/10/09	6/10/11
Frequency Counter	HP	5385A	3242A07460	CAL 5/26/09	5/26/11
Hygro-Thermometer	Extech	445703	0602	CAL 1/30/09	1/30/11
Modulation Analyzer	HP	8901A	3435A06868	CAL 5/26/09	5/26/11
Digital Multimeter	Fluke	FLUKE-77-3	79510405	CAL 5/18/09	5/18/11
Analyzer Tan Tower Preamplifier	HP	8449B-H02	3008A00372	CAL 11/21/09	11/21/11
Analyzer Tan Tower Quasi-Peak Adapter	HP	85650A	3303A01690	CAL 11/22/09	11/22/11
Analyzer Tan Tower RF Preselector	HP	85685A	3221A01400	CAL 11/21/09	11/21/11
Analyzer Tan Tower Spectrum Analyzer	HP	8566B Opt 462	3138A07786 3144A20661	CAL 11/24/09	11/24/11
Temperature Chamber	Tenney Engineering	TTRC	11717-7	CHAR 4/25/08	4/25/10