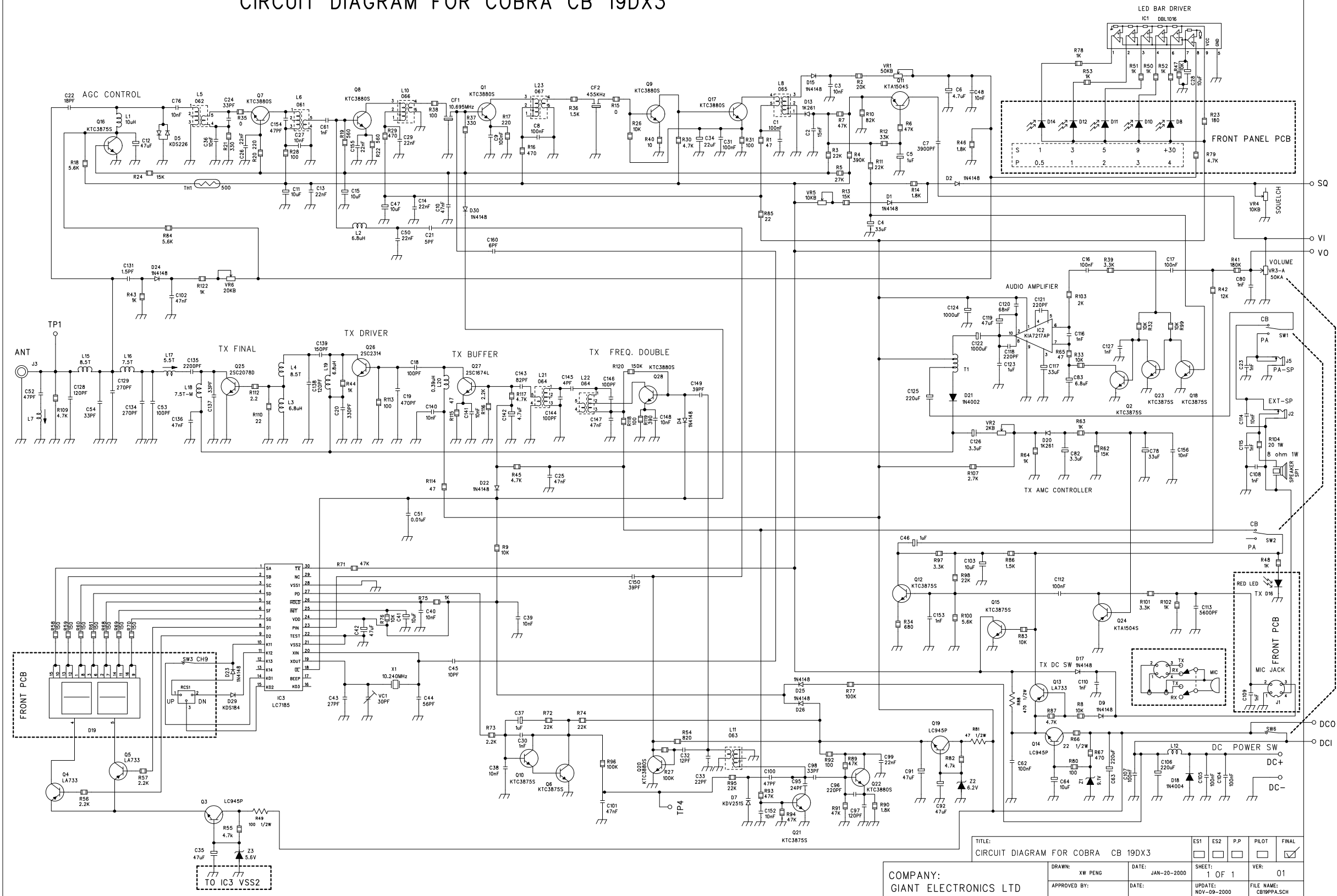


# CIRCUIT DIAGRAM FOR COBRA CB 19DX3



TITLE:	CIRCUIT DIAGRAM FOR COBRA CB 19DX3				
COMPANY:	GIANT ELECTRONICS LTD				
DRAWN:	XW PENG	DATE:	JAN-20-2000	SHEET:	1 OF 1
APPROVED BY:		DATE:		UPDATE:	NOV-09-2000
				FILE NAME:	CB19PPA.SCH