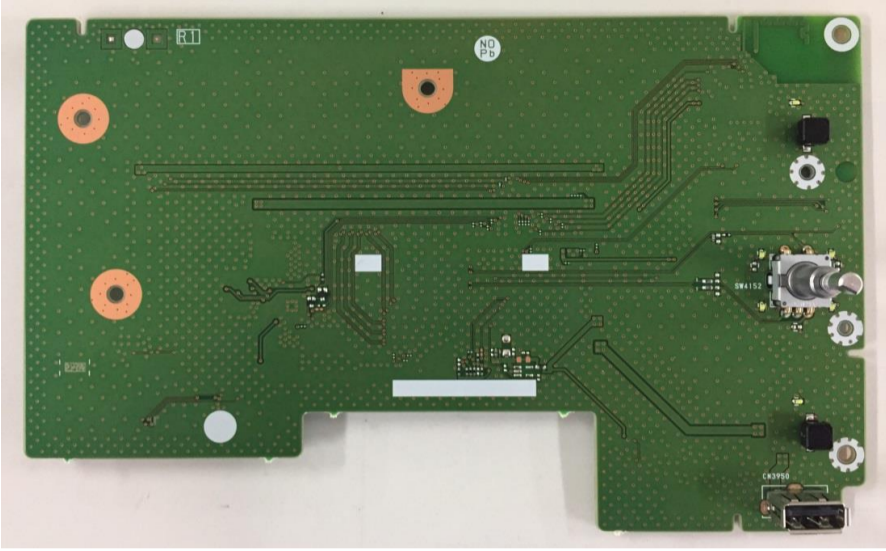


Internal Photos

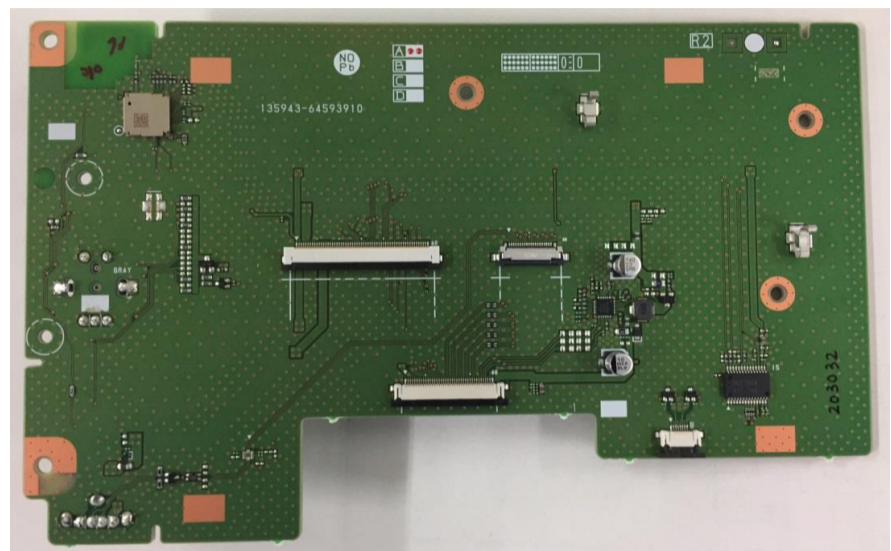
TN0012A (RHD)

【PANEL Board】

Component side

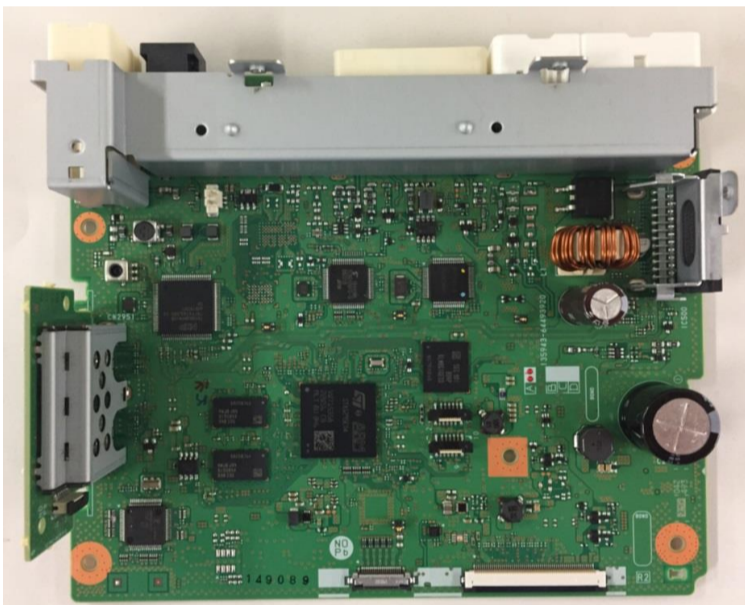


Solder side

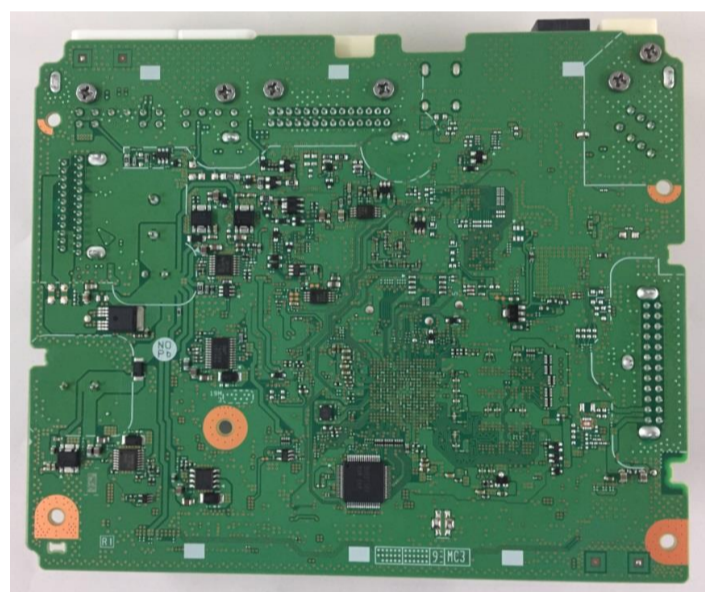


【MAIN Board】

Component side

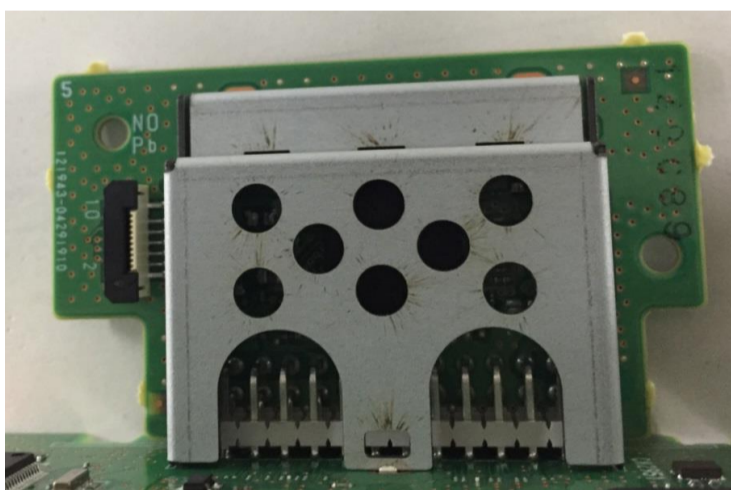


Solder side

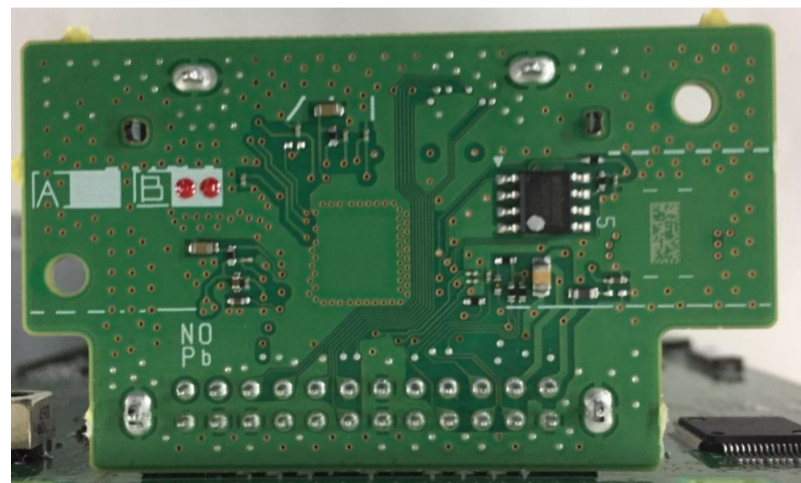


【DAB Board】

Component side



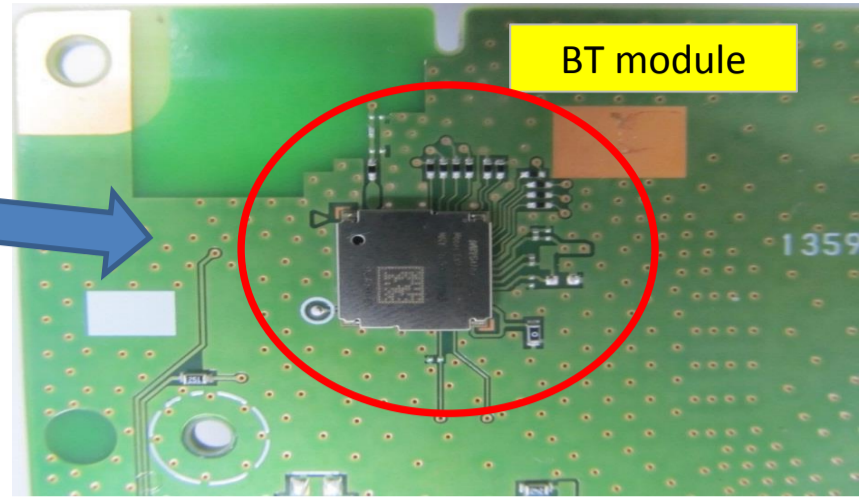
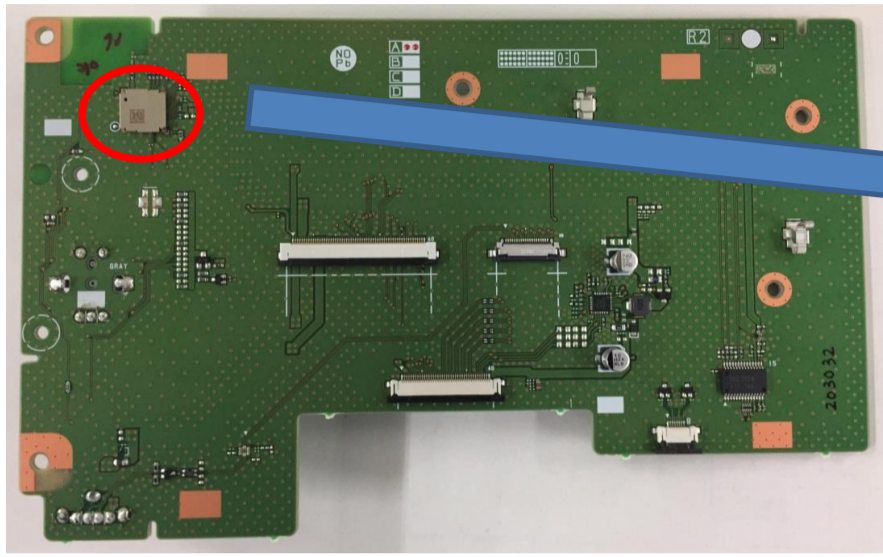
Solder side



【BT module mounting position】

Panel Assy

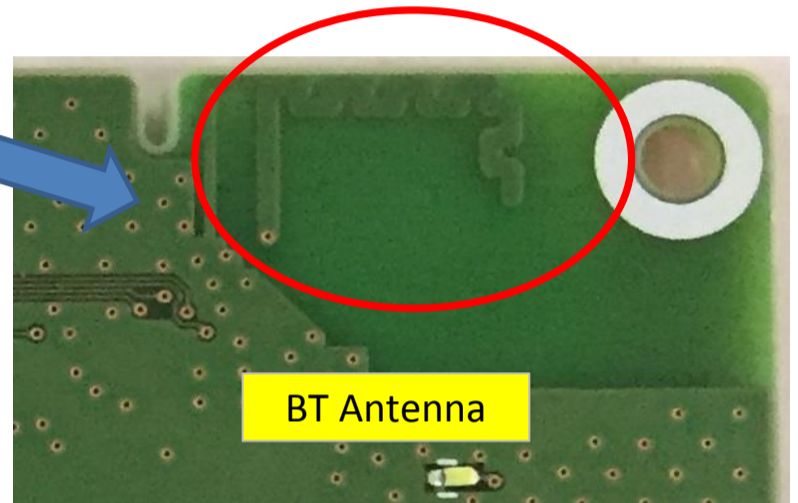
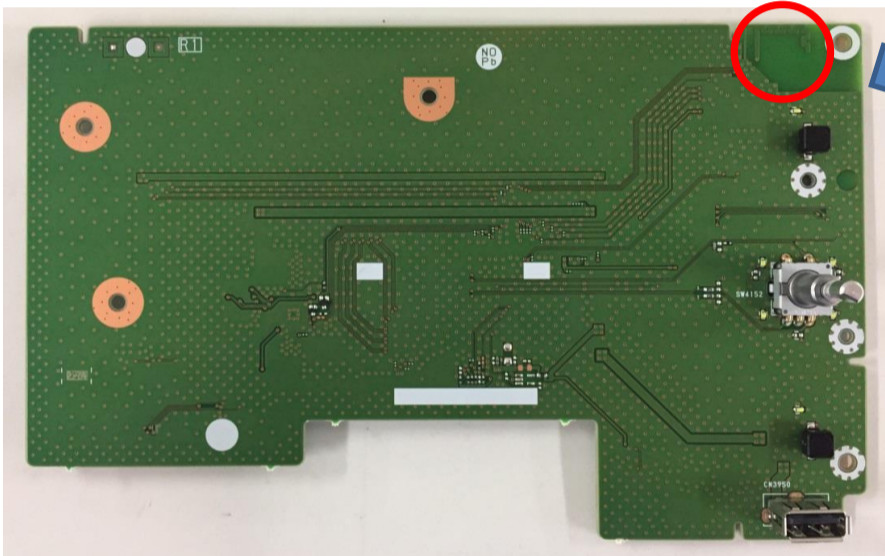
Enlargement



【BT Antenna position】

Panel Assy

Enlargement



- As for mount parts and parts number , refer to the 'Component layout DWG'.
- As for pattern, refer to the 'Pattern DWG'.

DENSO TEN CONFIDENTIAL