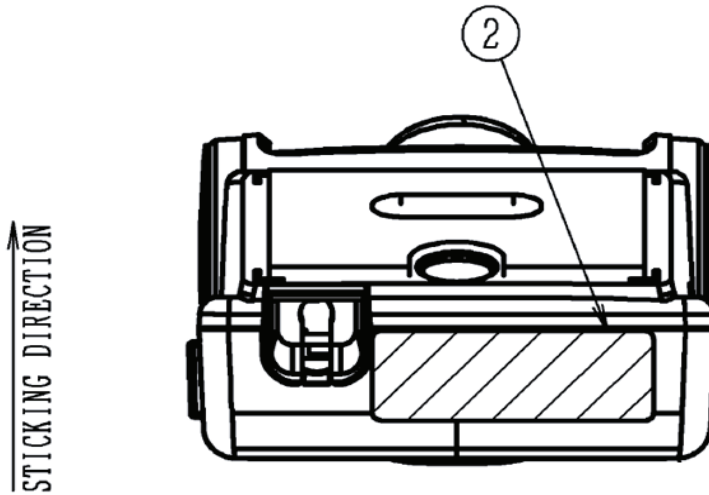


② PRINTING DETAIL OF NAME PLATE (model name : FT0112A)



REAR VIEW OF UNIT  
(CORD SIDE)

COLOR : BLACK

